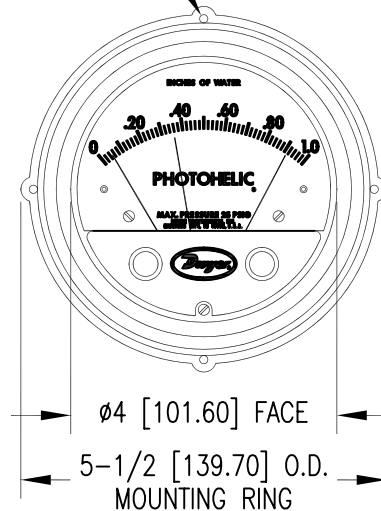


(4) 6-32 HOLES
EQUALLY SPACED ON A
5-1/8 [130.18] B.C.



SCALE 1:3

STANDARD TOLERANCES UNLESS NOTED:
ALL DECIMAL DIMENSIONS ± .005
ALL ANGLES ± 1°

			DATE	NAME	MATERIAL
			DWN BY	A3000 PHOTOHELIC	FINISH
			CHKD		
			APPD		
NO.	CHANGES	BY/DATE			
					ACADR14
NOTICE: This drawing and the principles and elements of design embodied therein are the exclusive property of DWYER INSTRUMENTS, INC. and are not to be communicated, disclosed, reproduced or used except as previously authorized in writing by such corporation and must not be submitted to outside parties for examination without the written consent of said corporation.					1
					FR. NO.
					<p>DWYER INSTRUMENTS, INC. MICHIGAN CITY, INDIANA 46360 U.S.A.</p>