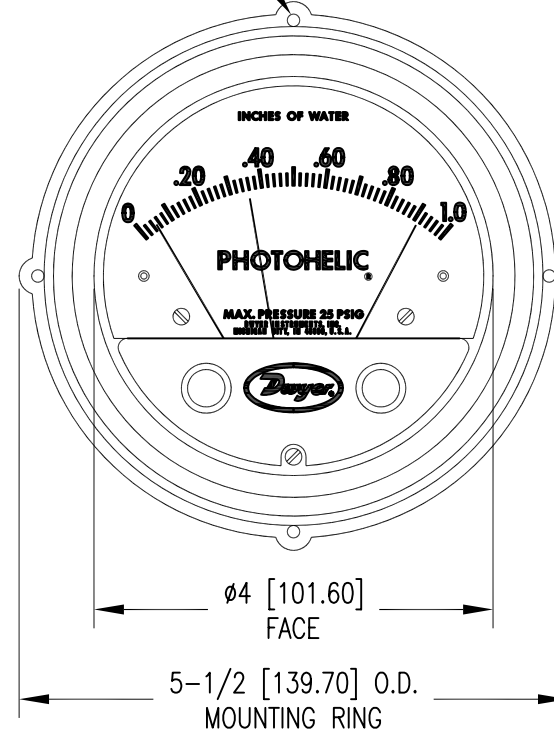


(4) 6-32 HOLES
EQUALLY SPACED ON A
5-1/8 [130.18] B.C.



STANDARD TOLERANCES UNLESS NOTED:
ALL DECIMAL DIMENSIONS ± .005
ALL ANGLES ± 1°

SCALE 1:2

			DATE	NAME	MATERIAL
			DWN BY	3000MR/3000MRS PHOTOHELIC	FINISH
			CHKD		DWYER INSTRUMENTS, INC. MICHIGAN CITY, INDIANA 46360 U.S.A.
			APPD		
NO.	CHANGES	BY/DATE			
				ACADR14	1

NOTICE: This drawing and the principles and elements of design embodied therein are the exclusive property of DWYER INSTRUMENTS, INC. and are not to be communicated, disclosed, reproduced or used except as previously authorized in writing by such corporation and must not be submitted to outside parties for examination without the written consent of said corporation.