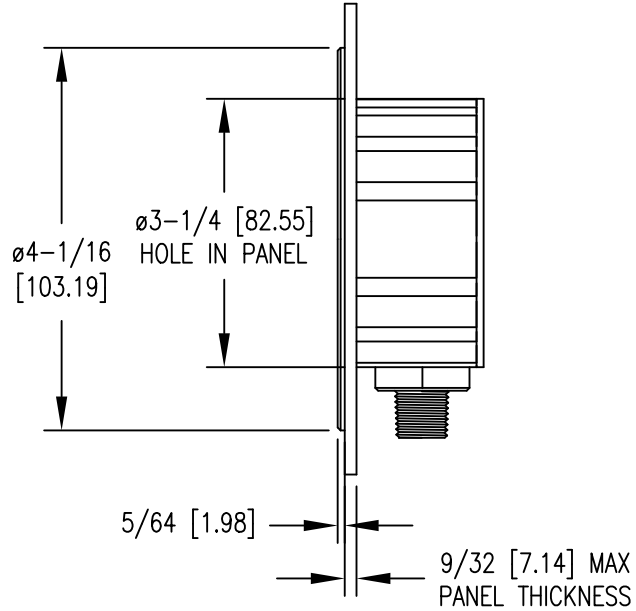
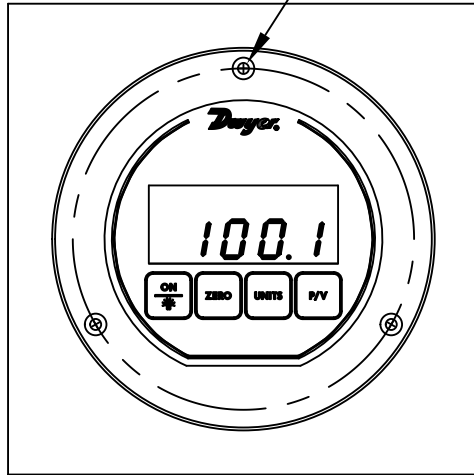


(3) MOUNTING HOLES FOR #6 FLAT HEAD SCREW  
EQUALLY SPACED ON A 3-5/8 [92.08] B.C.



Ⓢ = CRITICAL DIMENSION  
STANDARD TOLERANCES UNLESS NOTED:  
ALL DECIMAL DIMENSIONS  $\pm .005$   
ALL ANGLES  $\pm 1^\circ$

SCALE 1:1

			DATE 4-19-05	NAME BULLETIN ARTWORK PANEL MOUNT DPG  (FOR REFERENCE ONLY) ACAD2002	MATERIAL
			DWN BY CB		FINISH
			CHKD CAT		<b>DWYER INSTRUMENTS, INC.</b> MICHIGAN CITY, INDIANA 46360 U.S.A.
NO.	CHANGES	BY/DATE	APPD BLP		
NOTICE: This drawing and the principles and elements of design embodied therein are the exclusive property of DWYER INSTRUMENTS, INC. and are not to be communicated, disclosed, reproduced or used except as previously authorized in writing by such corporation and must not be submitted to outside parties for examination without the written consent of said corporation.			3	FR. NO.	700711-03