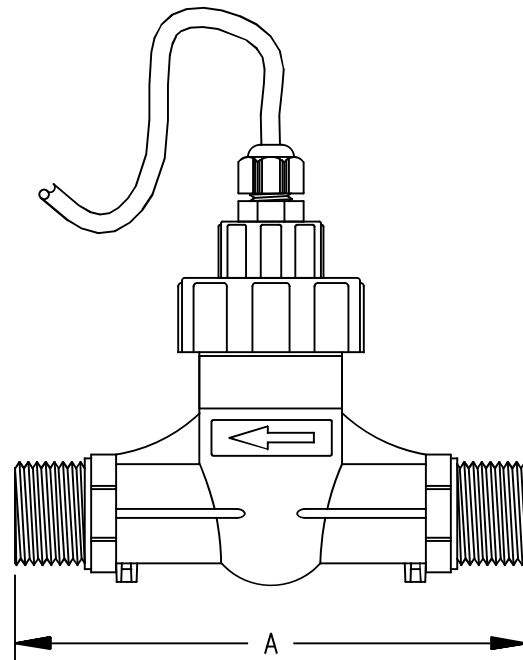


REMOTE MOUNTING BRACKET  
(STAINLESS STEEL)



RANGE (m <sup>3</sup> /h)	MALE NPT	PRESS. (MPa)	A
0.1~2	3/8"	1.0	4-3/4" 121mm
0.2~4.09	1/2"		5-1/8" 130mm
0.3~5.91	3/4"		5-5/8" 142mm
0.5~11.36	1"	0.8	5-1/2" 141mm
1.5~23.85	1-1/2"		6-7/8" 175mm
2~40.88	2"		6-7/8" 175mm

Ⓢ = CRITICAL DIMENSION  
STANDARD TOLERANCES UNLESS NOTED:  
ALL DECIMAL DIMENSIONS ± .005  
ALL ANGLES ± 1°

		DATE 6-23-14	NAME ARTWORK SERIES DFMT2 DIGITAL FLOW REMOTE TRANSMITTER (FOR REFERENCE ONLY) ACAD2002	MATERIAL
		DWN BY CM		FINISH
		CHKD HMA		<b>DWYER INSTRUMENTS, INC.</b> MICHIGAN CITY, INDIANA 46360 U.S.A.
NO.	CHANGES	BY/DATE	APPD CAT	FR. NO. R2-701296-00
<p>NOTICE: This drawing and the principles and elements of design embodied therein are the exclusive property of DWYER INSTRUMENTS, INC. and are not to be communicated, disclosed, reproduced or used except as previously authorized in writing by such corporation and must not be submitted to outside parties for examination without the written consent of said corporation.</p>				3