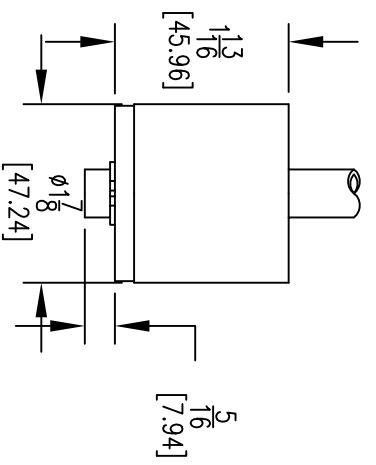
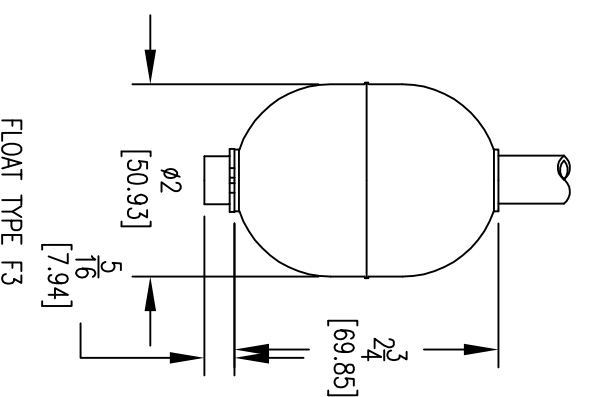


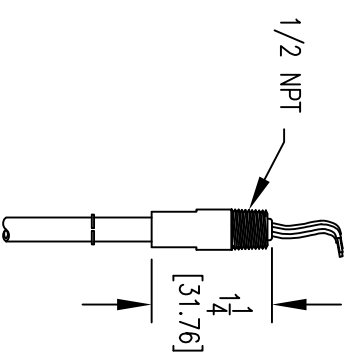
FLOAT TYPE F1



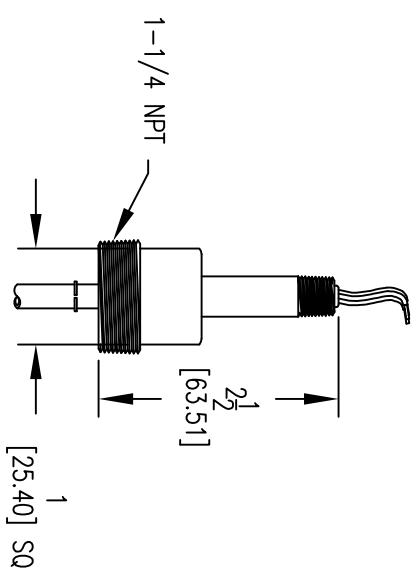
FLOAT TYPE F2



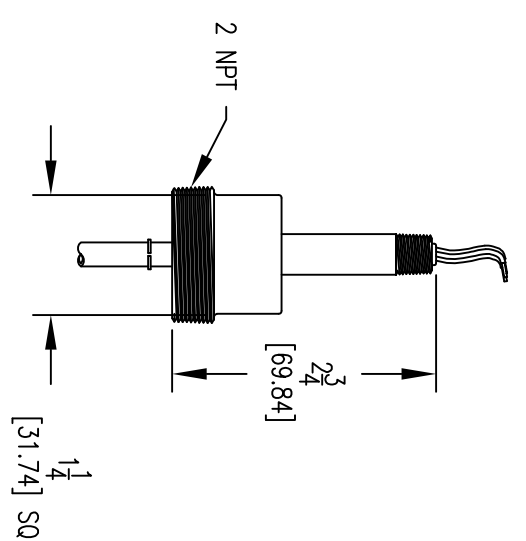
FLOAT TYPE F3



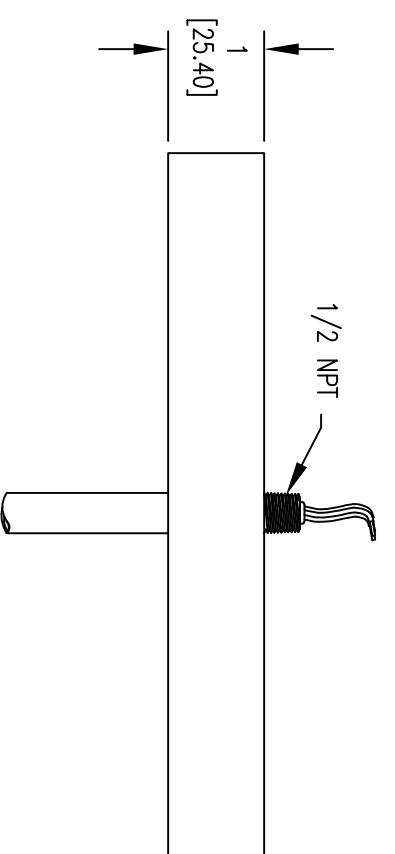
CONNECTION TYPE 1



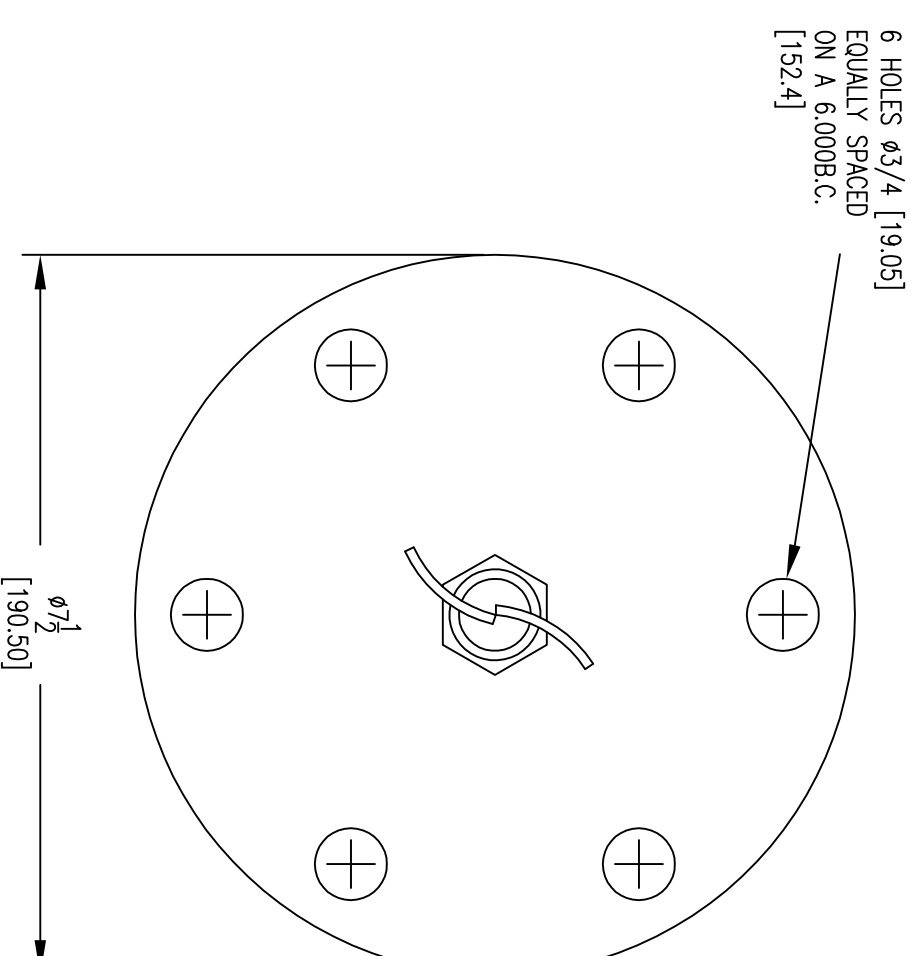
CONNECTION TYPE 2



CONNECTION TYPE 3



CONNECTION TYPE 4, 5



6 HOLES 6.3/4 [19.05]
EQUALLY SPACED
ON A 6.0008 C.
[152.4]

Ⓒ = CRITICAL DIMENSION
STANDARD TOLERANCES UNLESS NOTED:
ALL DECIMAL DIMENSIONS ± .005
ALL ANGLES ± 1°

SCALE 1:2

NO.		DATE		NAME	
				DWN BY	CLT SERIES CONTINUOUS LEVEL TRANSMITTER
				CHKD	
				APPD	
CHANGES		BY/DATE		FR. NO.	
ACAD2002		3		DWYER INSTRUMENTS, INC. MICHIGAN CITY, INDIANA 46360 U.S.A.	

NOTE: The drawing and the principles of design embodied therein are the exclusive property of DWYER INSTRUMENTS, INC. and are made available for examination without the written consent of said corporation.