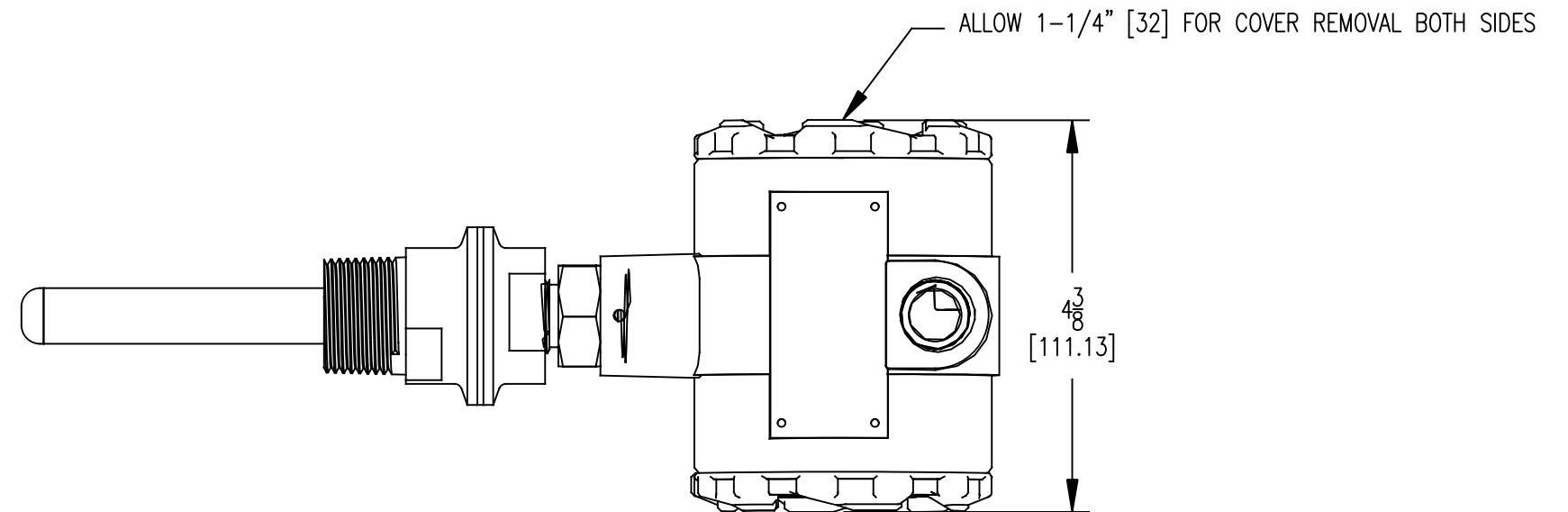
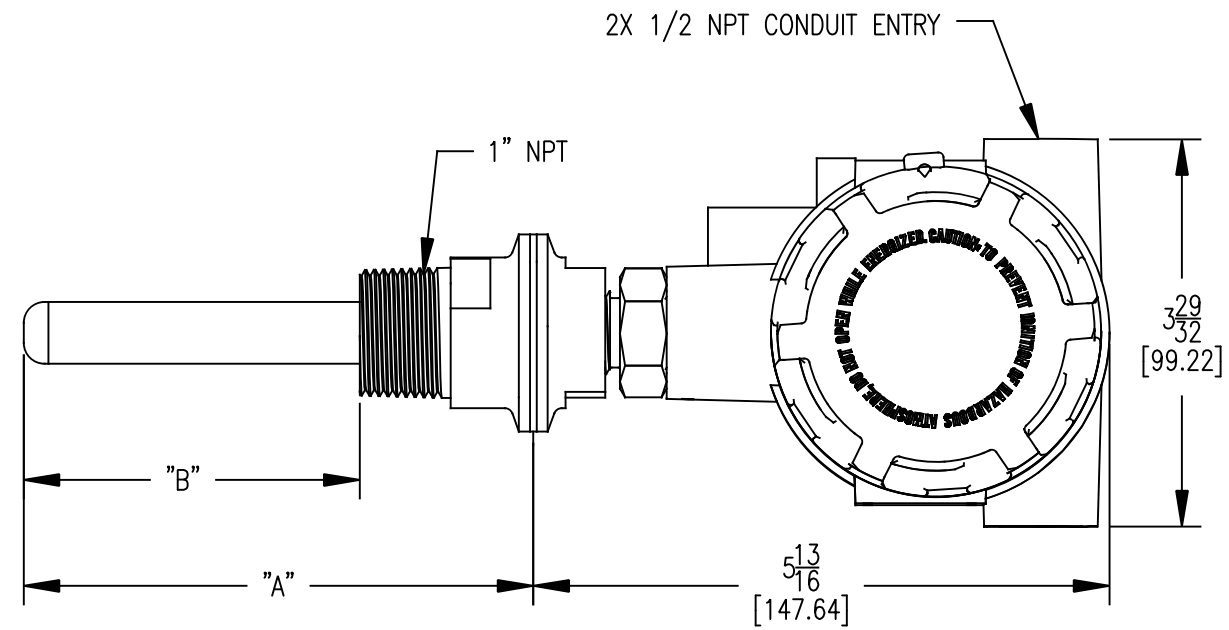


PROBE LENGTH	DIM "A"	DIM "B"
3	3-1/2 [88.90]	1-25/32 [45.24]
5	5-1/2 [139.70]	3-25/32 [96.04]
10	10-1/2 [266.70]	8-25/32 [223.04]
15	15-1/2 [393.70]	13-25/32 [350.04]
20	20-1/2 [520.70]	18-25/32 [477.04]
30	30-1/2 [744.70]	28-25/32 [731.04]
36	36-1/2 [927.10]	34-25/32 [883.44]



Ⓢ = CRITICAL DIMENSION
 STANDARD TOLERANCES UNLESS NOTED:
 ALL DECIMAL DIMENSIONS ±
 ALL ANGLES ±

		DATE 10-13-14	NAME ARTWORK PMT2 CLAMP MOUNT	MATERIAL
		DWN BY		FINISH
2	REMOVED "DWYER" FROM THE BODY	6-24-15	CHKD	
1	DIMENSIONS UPDATED	11-20-14	APPD	
NO.	CHANGES	BY/DATE		
NOTICE: This drawing and the principles and elements of design embodied therein are the exclusive property of DWYER INSTRUMENTS, INC. and are not to be communicated, disclosed, reproduced or used except as previously authorized in writing by such corporation and must not be submitted to outside parties for examination without the written consent of said corporation.				ACAD2002 3
			FR. NO.	701342-01

DWYER INSTRUMENTS, INC.
 MICHIGAN CITY, INDIANA 46360 U.S.A.