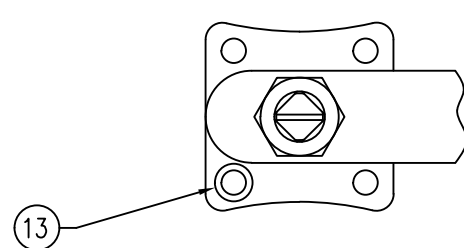
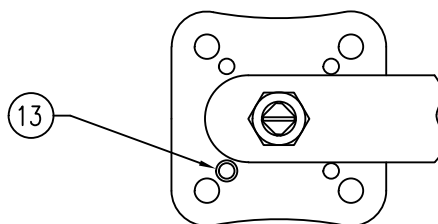


ITEM	DESCRIPTION	MATERIAL	QTY
1	BODY	BRASS	1
2	CAP		1
3	BALL		1
4	BALL SEAT	PTFE	2
5	JOINT GASKET	PTFE	1
6	STEM	BRASS	1
7	THRUST WASHER	NBR	1
8	O-RING	NBR	1
9	STEM PACKING	PTFE	1-2
10	GASKET	PTFE	1
11	V SEALING	AISI 304	1
12	LOCK NUT		1
13	STOPPER,BOLT&NUT		1
14	STEM NUT		1
15	HANDLE		1
16	HANDLE COVER	PVC	1
17	FERRULE	AISI 304	1



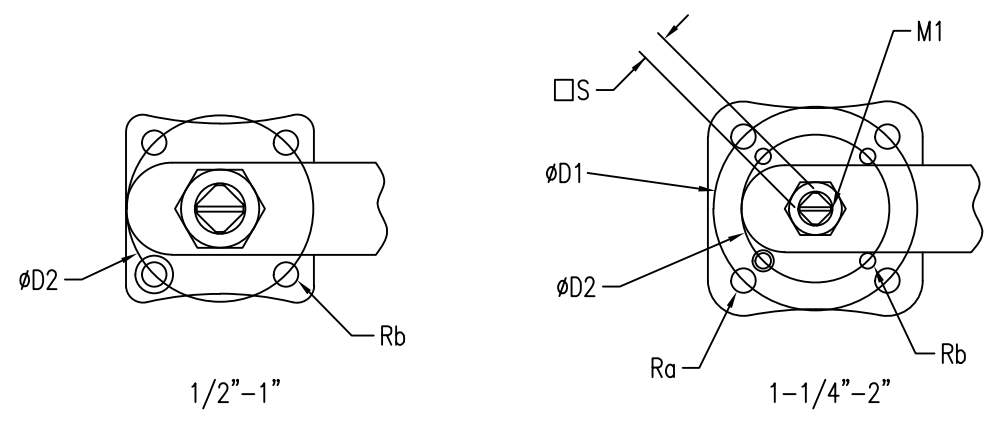
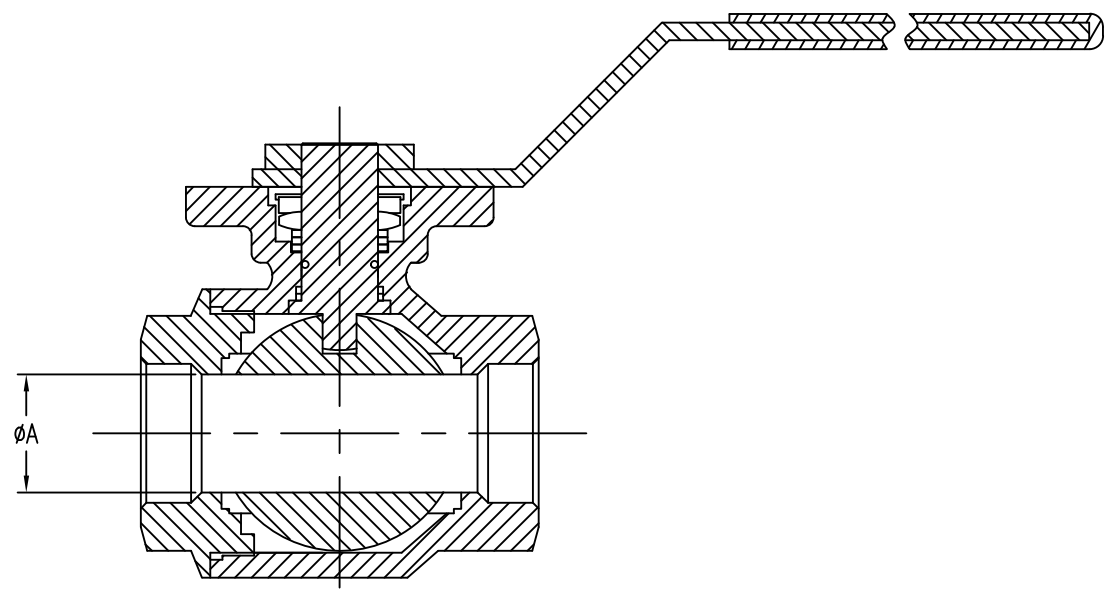
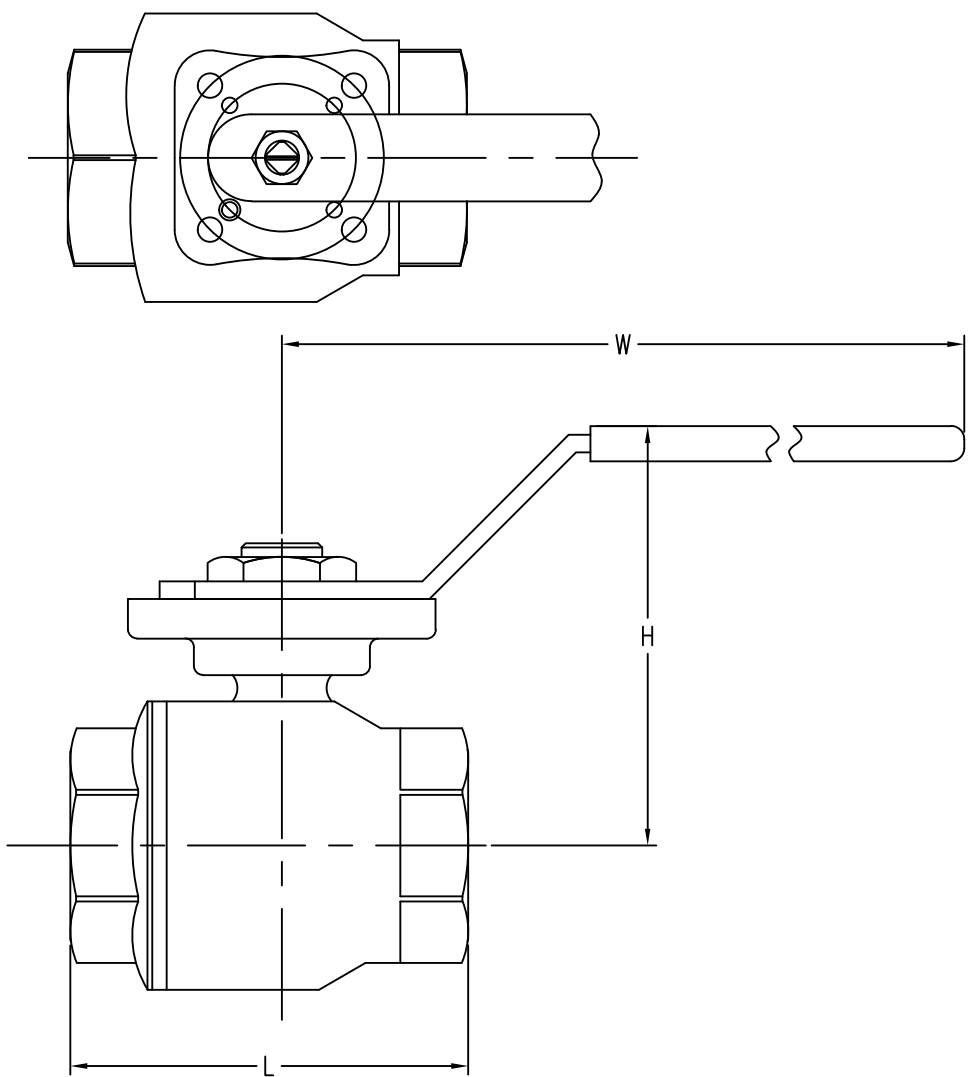
1/2"-1"



1-1/4"-2"

Ⓢ = CRITICAL DIMENSION  
 STANDARD TOLERANCES UNLESS NOTED:  
 ALL DECIMAL DIMENSIONS ± .005  
 ALL ANGLES ± 1°

		DATE	02-14-17	NAME <b>ART WE08 BALL VALVE 2-PIECE</b>	MATERIAL
		DWN BY	CAT		
		CHKD	DH		
		APPD	AH		
NO.	CHANGES	BY/DATE		SHEET 1 OF 2	FR. NO. 701246-20
NOTICE: This drawing and the principles and elements of design embodied therein are the exclusive property of DWYER INSTRUMENTS, INC. and are not to be communicated, disclosed, reproduced or used except as previously authorized in writing by such corporation and must not be submitted to outside parties for examination without the written consent of said corporation.					DWYER INSTRUMENTS, INC. MICHIGAN CITY, INDIANA 46360 U.S.A.
					ACAD2002
					3



Ⓢ = CRITICAL DIMENSION  
 STANDARD TOLERANCES UNLESS NOTED:  
 ALL DECIMAL DIMENSIONS ± .005  
 ALL ANGLES ± 1°

DATE 02-14-17	NAME	MATERIAL
DWN BY CAT	ART WE08 BALL VALVE 2-PIECE	FINISH
CHKD DH		<b>DWYER INSTRUMENTS, INC.</b> MICHIGAN CITY, INDIANA 46360 U.S.A.
APPD AH		
SHEET 2 OF 2		FR. NO. 701246-20

ACAD2002

3

NOTICE: This drawing and the principles and elements of design embodied therein are the exclusive property of DWYER INSTRUMENTS, INC. and are not to be communicated, disclosed, reproduced or used except as previously authorized in writing by such corporation and must not be submitted to outside parties for examination without the written consent of said corporation.