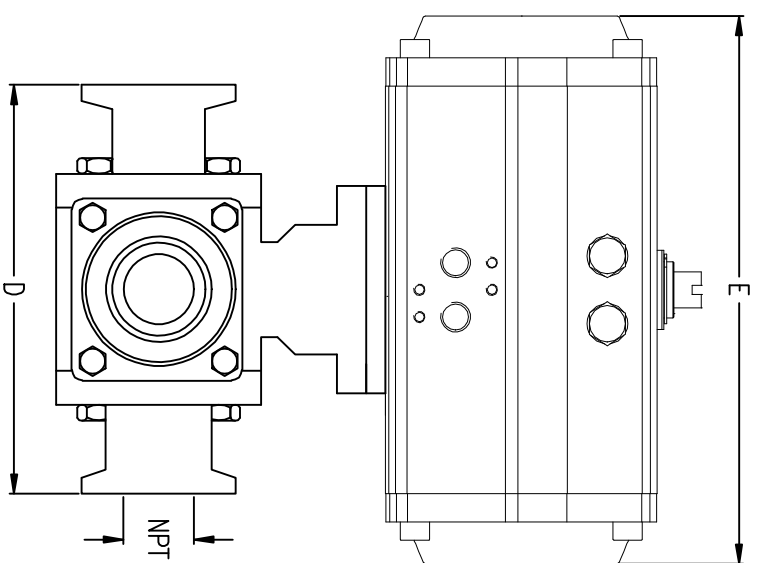


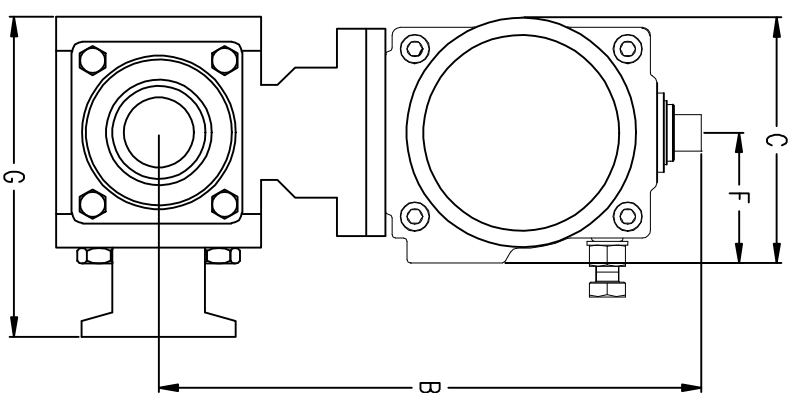
W/ PNEUMATIC ACTUATOR



DOUBLE ACTING PNEUMATIC ACTUATOR

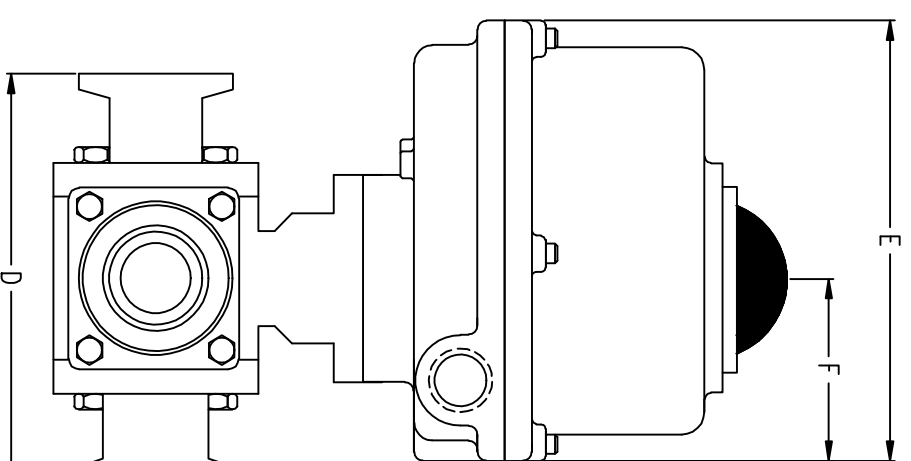
NPT	1/2"	3/4"	1"	1 1/2"	2"
B	4-7/8" 124.5mm	5" 128mm	6" 151mm	6-1/2" 164mm	7-1/2" 190mm
C	2-3/8" 60.5mm	2-3/8" 60.5mm	2-3/4" 71mm	2-3/4" 71mm	3-1/4" 82mm
D	4-5/8" 118mm	5" 127mm	6" 152.4mm	6-7/8" 175mm	7-1/2" 190mm
E	4-1/2" 116mm	4-1/2" 116mm	5-3/4" 145mm	5-3/4" 145mm	6-5/8" 169mm
F	1-3/8" 36.5mm	1-3/8" 36.5mm	1-5/8" 41mm	1-5/8" 41mm	1-7/8" 46mm
G	3-5/8" 91.6mm	3-7/8" 98.6mm	4-5/8" 117.8mm	5-1/2" 139.6mm	6-3/8" 160.6mm

W/ EXPLOSION-PROOF ELECTRIC ACTUATOR



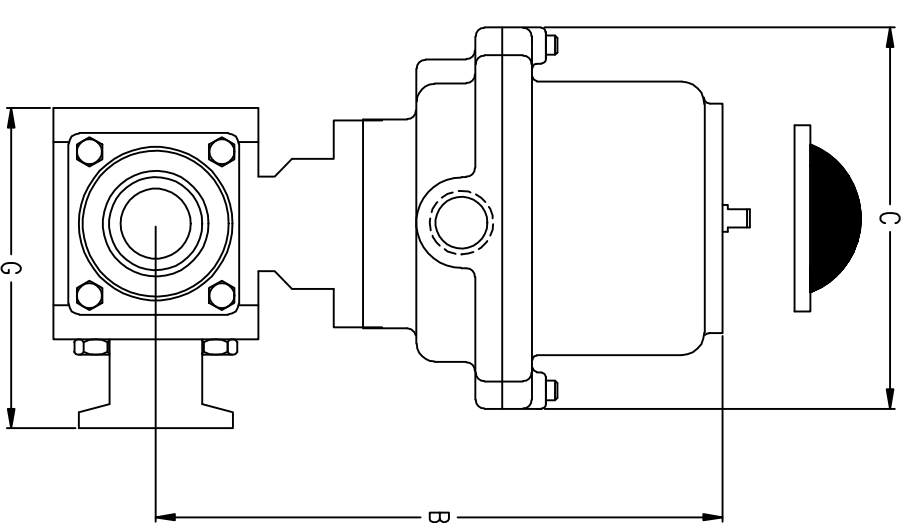
SPRING RETURN PNEUMATIC ACTUATOR

NPT	1/2"	3/4"	1"	1 1/2"	2"
B	5-3/8" 136.5mm	5-1/2" 140mm	6-5/8" 167mm	7-1/8" 180mm	8-1/8" 208mm
C	2-3/4" 71mm	2-3/4" 71mm	3-1/4" 82mm	3-1/4" 82mm	3-3/4" 94mm
D	4-5/8" 118mm	5" 127mm	6" 152.4mm	6-7/8" 175mm	7-1/2" 190mm
E	5-3/4" 145mm	5-3/4" 145mm	6-5/8" 169mm	6-5/8" 169mm	7-7/8" 201mm
F	1-5/8" 41mm	1-5/8" 41mm	1-7/8" 46mm	1-7/8" 46mm	2" 52mm
G	3-5/8" 91.6mm	3-7/8" 98.6mm	4-5/8" 117.8mm	5-1/2" 139.6mm	6-3/8" 160.6mm



EXPLOSION-PROOF ELECTRIC ACTUATOR

NPT	1/2"	3/4"	1"	1 1/2"	2"
B	6-3/4" 170.2mm	6-7/8" 173.7mm	8-3/4" 221.3mm	9-1/4" 234.3mm	9-5/8" 244.3mm
C	5-1/4" 133.4mm	5-1/4" 133.4mm	9-3/8" 238.9mm	9-3/8" 238.9mm	9-3/8" 238.9mm
D	4-5/8" 118mm	5" 127mm	6" 152.4mm	6-7/8" 175mm	7-1/2" 190mm
E	6" 154mm	6" 154mm	8-1/2" 216.7mm	8-1/2" 216.7mm	8-1/2" 216.7mm
F	2-3/4" 68.3mm	2-3/4" 68.3mm	5" 125.8mm	5" 125.8mm	5" 125.8mm
G	3-5/8" 91.6mm	3-7/8" 98.6mm	4-5/8" 117.8mm	5-1/2" 139.6mm	6-3/8" 160.6mm

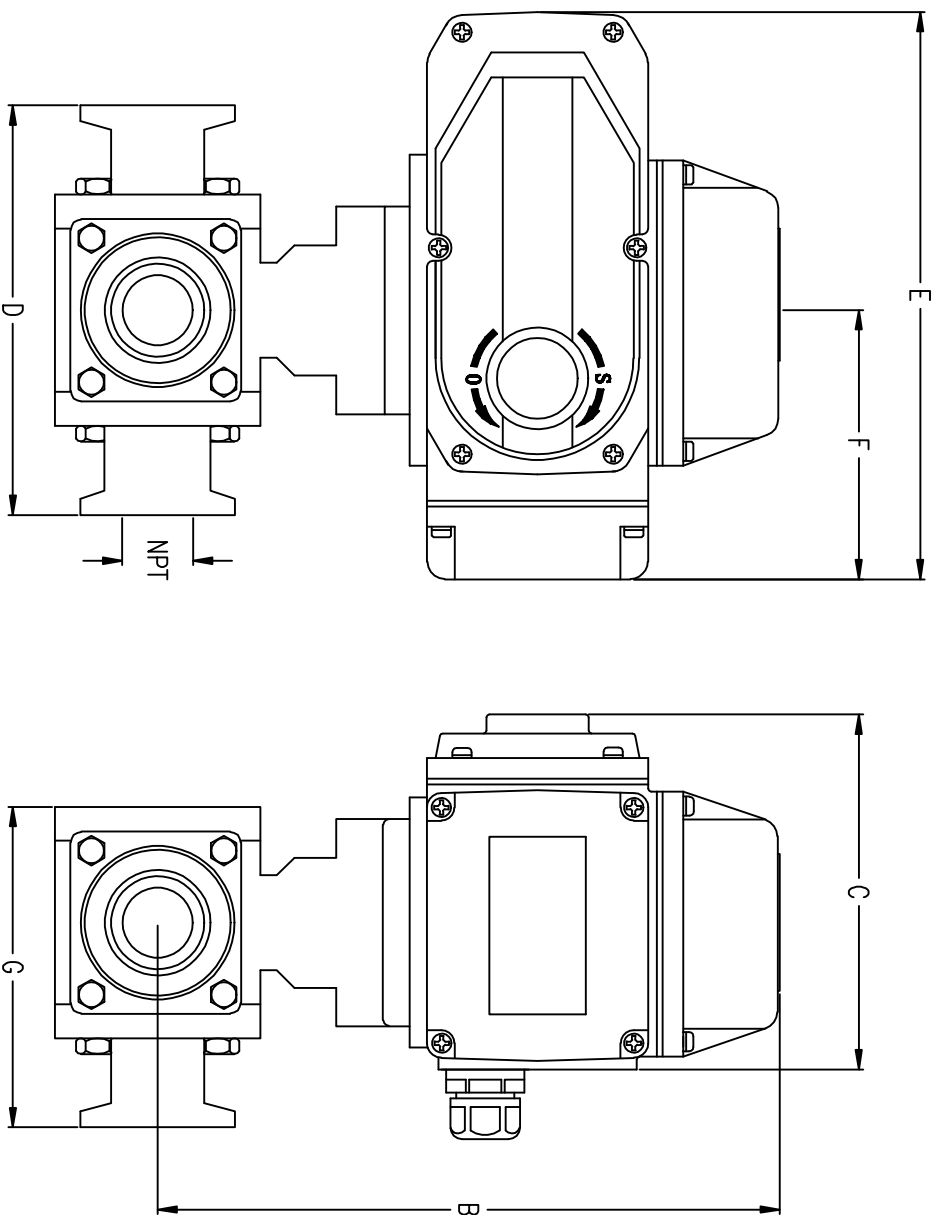


Ⓢ = CRITICAL DIMENSION
 STANDARD TOLERANCES UNLESS NOTED:
 ALL DECIMAL DIMENSIONS ± .005
 ALL ANGLES ± 1'

NO.		DATE		NAME		MATERIAL	
		DWN BY		WE33 BALL VALVE W/ ACTUATORS (FOR REFERENCE ONLY)		FINISH	
		CHKD		ACAD2002		FR. NO.	
		APPD		3		MICHIGAN CITY, INDIANA 46360 U.S.A.	
CHANGES		BY/DATE		ACAD2002		Dwyer Instruments, Inc.	

NOTICE: This drawing and the principles and elements of design embodied therein are the exclusive property of DWYER INSTRUMENTS, INC. and are not to be communicated, disclosed or used except as previously authorized in writing by such corporation and must not be submitted to outside parties for examination without the written consent of said corporation.

W/ ELECTRIC ACTUATOR



ELECTRIC ACTUATOR

NPT	1/2"	3/4"	1"	1 1/2"	2"
B	5-3/4" 147mm	5-7/8" 150.5mm	6-3/8" 161.5mm	6-7/8" 174.5mm	7-1/4" 184.5mm
C	4-1/2" 113mm	4-1/2" 113mm	4-1/2" 113mm	4-1/2" 113mm	4-1/2" 113mm
D	4-5/8" 118mm	5" 127mm	6" 152.4mm	6-7/8" 175mm	7-1/2" 190mm
E	6-1/4" 160mm	6-1/4" 160mm	6-1/4" 160mm	6-1/4" 160mm	6-1/4" 160mm
F	3" 77mm	3" 77mm	3" 77mm	3" 77mm	3" 77mm
G	3-5/8" 91.6mm	3-7/8" 98.6mm	4-5/8" 117.8mm	5-1/2" 139.6mm	6-3/8" 160.6mm

Ⓢ = CRITICAL DIMENSION
 STANDARD TOLERANCES UNLESS NOTED:
 ALL DECIMAL DIMENSIONS ± .005
 ALL ANGLES ± 1°

MATERIAL

FINISH

DWYER INSTRUMENTS, INC.
 MICHIGAN CITY, INDIANA 46360 U.S.A.

FR. NO.

WE33 BALL VALVE
 W/ ACTUATORS
 (FOR REFERENCE ONLY)

DATE	NAME
DWN BY	
CHKD	
APPD	

ACAD2002

3

NOTICE: This drawing and the principles and elements of design embodied therein are the exclusive property of DWYER INSTRUMENTS, INC. and are not to be communicated, disclosed, reproduced or used except as previously authorized in writing by such corporation and must not be submitted to outside parties for examination without the written consent of said corporation.