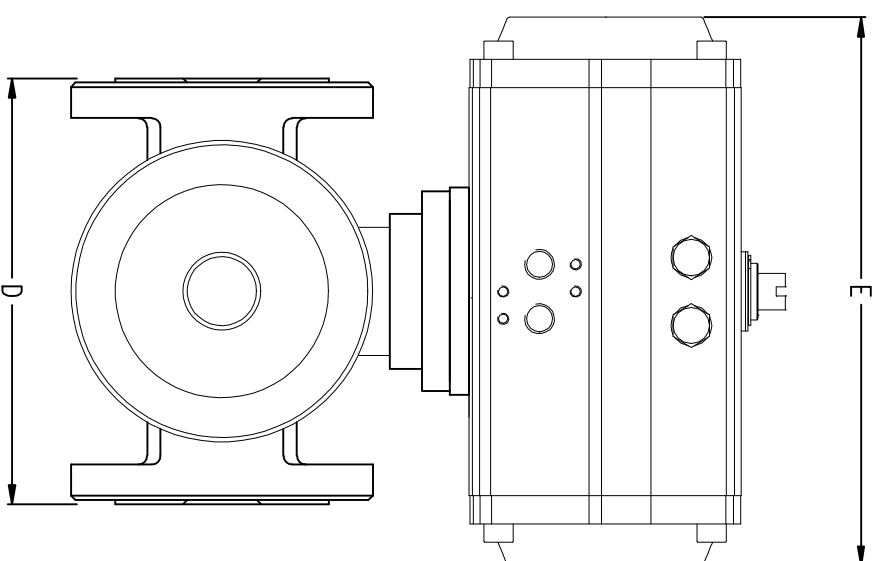
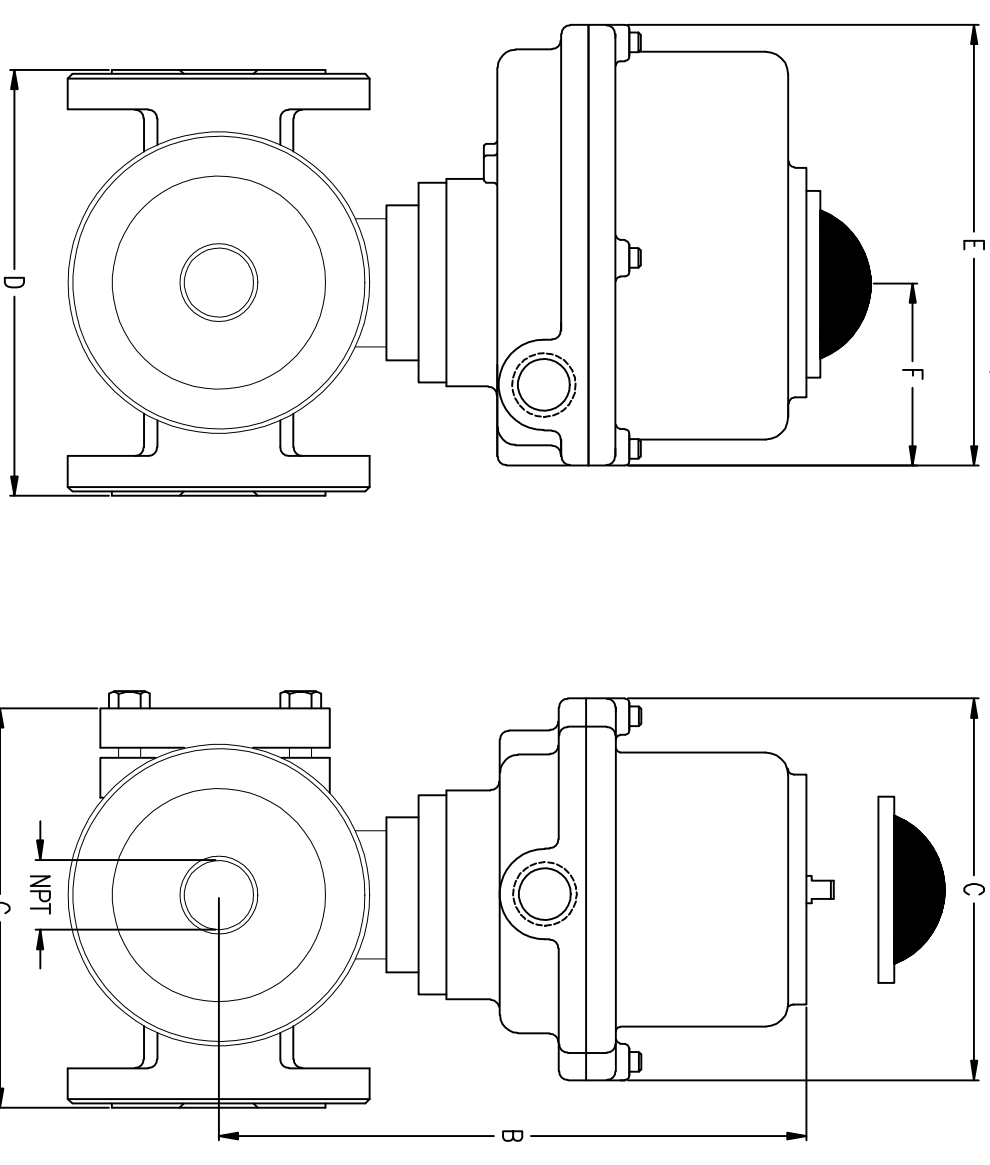


W/ PNEUMATIC ACTUATOR



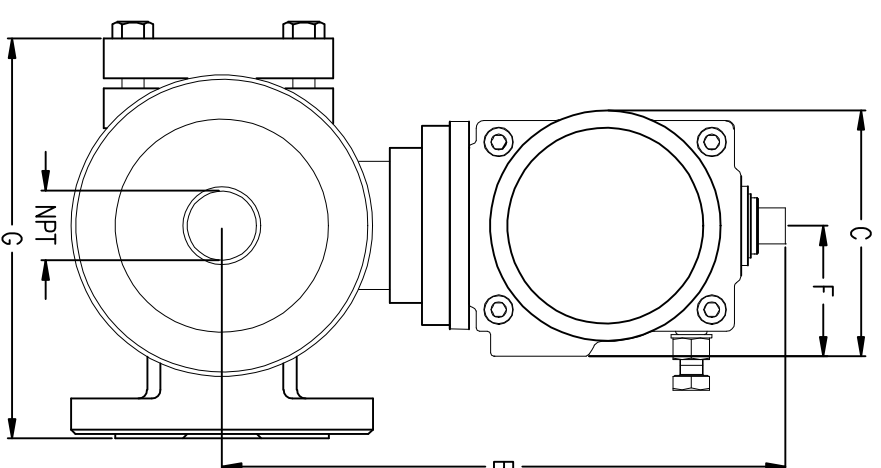
NPT	1/2"	3/4"	1"	1 1/2"	2."	2 1/2"	3"
B	5-1/2" 140.5mm	5-5/8" 143.6mm	6-5/8" 170mm	9-1/4" 234mm	9-7/8" 251mm	11-1/8" 281.5mm	12-1/4" 312mm
C	2-3/4" 71mm	2-3/4" 71mm	3-1/4" 82mm	4" 101mm	4" 108.5mm	4" 122mm	4" 137.5mm
D	5-7/8" 148mm	6" 153mm	6-5/8" 168mm	8-3/4" 221mm	10" 254mm	11-7/8" 300mm	12" 305mm
E	5-3/4" 145mm	5-3/4" 145mm	6-5/8" 169mm	8-1/4" 209mm	9-1/2" 242mm	10-7/8" 275mm	13-1/8" 332mm
F	1-5/8" 41mm	1-5/8" 41mm	1-3/4" 46mm	2-1/8" 55mm	2-1/4" 57.5mm	2-1/2" 64mm	2-7/8" 70mm
G	4-1/2" 114mm	4-5/8" 117mm	5-1/4" 134mm	6-7/8" 175mm	7-5/8" 195mm	9-1/8" 233mm	9-5/8" 246mm

W/ EXPLOSION-PROOF ELECTRIC ACTUATOR



NPT	1/2"	3/4"	1"	1 1/2"	2"	2 1/2"	3"
B	6-1/8" 156.5mm	6-1/4" 159.6mm	7-1/8" 182mm	9-5/8" 246mm	10-3/8" 264mm	12" 303.5mm	12-7/8" 328.5mm
C	3-1/4" 82mm	3-1/4" 82mm	4" 101mm	4-1/4" 108.5mm	4-3/4" 122mm	5-3/8" 137.5mm	6" 153mm
D	5-7/8" 148mm	6" 153mm	6-5/8" 168mm	8-3/4" 221mm	10" 254mm	11-7/8" 300mm	12" 305mm
E	6-5/8" 169mm	6-5/8" 169mm	8-1/4" 209mm	9-1/2" 242mm	10-7/8" 275mm	13" 332mm	15-1/8" 275mm
F	1-3/4" 46mm	1-3/4" 46mm	2-1/8" 55mm	2-1/4" 57.5mm	2-1/2" 64mm	2-3/4" 70mm	3" 77mm
G	4-1/2" 114mm	4-5/8" 117mm	5-1/4" 134mm	6-7/8" 175mm	7-5/8" 195mm	9-1/8" 233mm	9-5/8" 246mm

DOUBLE ACTING PNEUMATIC ACTUATOR



SPRING RETURN PNEUMATIC ACTUATOR

NPT	1/2"	3/4"	1"	1 1/2"	2"	2 1/2"	3"
B	9-1/8" 233.3mm	9-3/8" 237.3mm	9-3/4" 247.3mm	11-1/4" 286.1mm	11-1/2" 291.1mm	12-1/8" 308.6mm	15-3/8" 390.1mm
C	9-3/8" 238.9mm	9-3/8" 238.9mm	9-3/8" 238.9mm	8-1/2" 216mm	8-1/2" 216mm	8-1/2" 216mm	10" 254mm
D	5-7/8" 148mm	6" 153mm	6-5/8" 168mm	8-3/4" 221mm	10" 254mm	11-7/8" 300mm	12" 305mm
E	8-1/2" 216.7mm	8-1/2" 216.7mm	8-1/2" 216.7mm	8-1/2" 216mm	8-1/2" 216mm	8-1/2" 216mm	10" 254mm
F	5" 125.8mm	5" 125.8mm	5" 125.8mm	5-3/8" 136.4mm	5-3/8" 136.4mm	5-3/8" 136.4mm	6-1/4" 158.8mm
G	4-1/2" 114mm	4-5/8" 117mm	5-1/4" 134mm	6-7/8" 175mm	7-5/8" 195mm	9-1/8" 233mm	9-5/8" 246mm

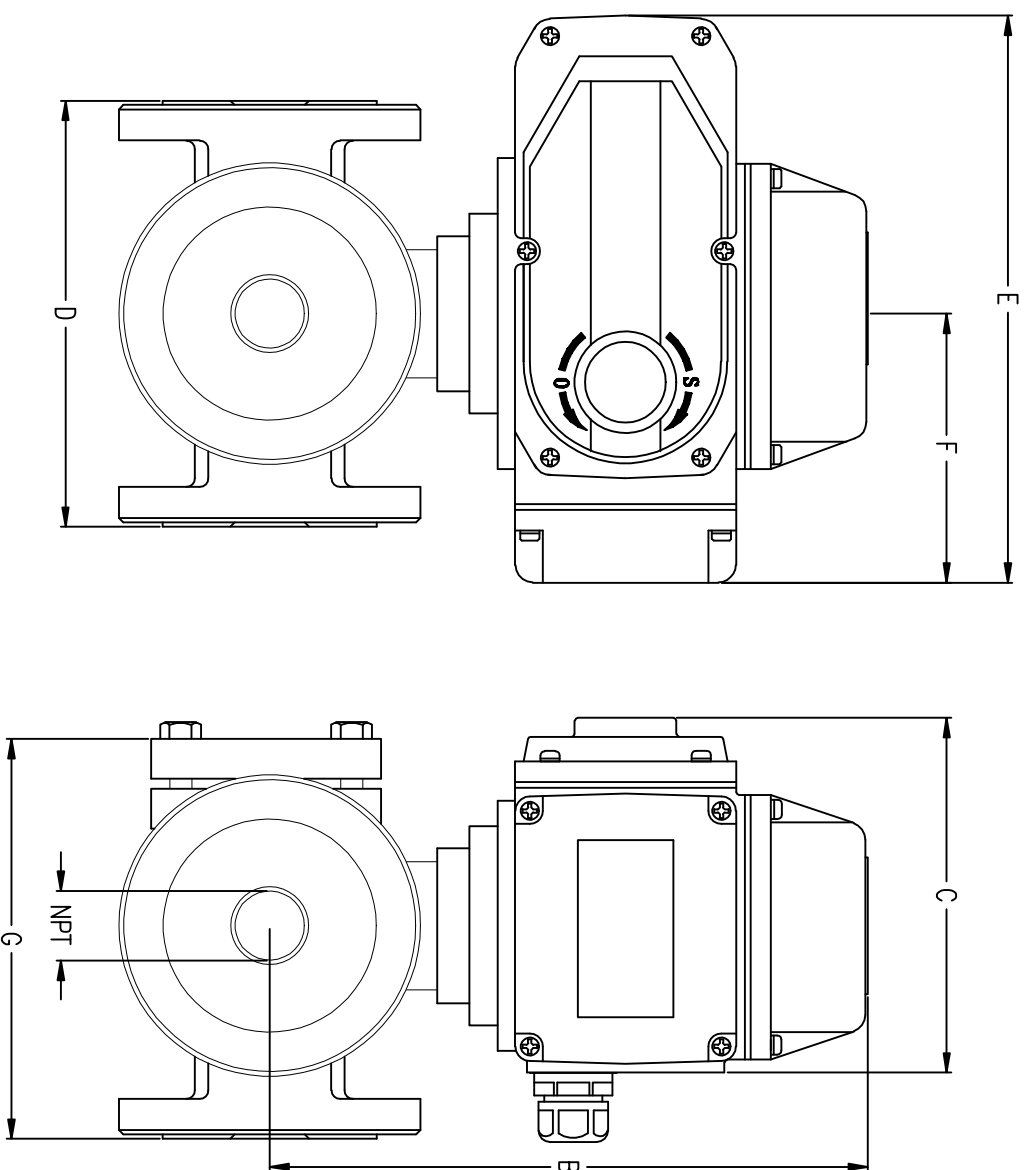
EXPLOSION-PROOF ELECTRIC ACTUATOR

Ⓞ = CRITICAL DIMENSION  
 STANDARD TOLERANCES UNLESS NOTED:  
 ALL DECIMAL DIMENSIONS ± .005  
 ALL ANGLES ± 1°

NO.	CHANGES	BY/DATE	DATE	NAME	MATERIAL
			DWN BY		FINISH
			CHKD		
			APPD		
				WE34 BALL VALVE W/ ACTUATORS (FOR REFERENCE ONLY)	
				ACAD2002	
				FR. NO.	
				<b>DWYER INSTRUMENTS, INC.</b> MICHIGAN CITY, INDIANA 46360 U.S.A.	

NOTICE: This drawing and the principles and elements of design embodied therein are the exclusive property of DWYER INSTRUMENTS, INC. and are not to be communicated, disclosed, reproduced or used except as previously authorized in writing by such corporation and must not be submitted to outside parties for examination without the written consent of said corporation.

W/ ELECTRIC ACTUATOR



ELECTRIC ACTUATOR

NPT	1/2"	3/4"	1"	1 1/2"	2"	2 1/2"	3"
B	6"	6"	6-1/2"	8-1/4"	9-3/8"	10-7/8"	11-1/4"
	151mm	154.1mm	164.5mm	208.5mm	237mm	276.5mm	285mm
C	4-1/2"	4-1/2"	4-1/2"	4-1/2"	4-3/4"	6-1/4"	6-1/4"
	113mm	113mm	113mm	113mm	121mm	158mm	158mm
D	5-7/8"	6"	6-5/8"	8-3/4"	10"	11-7/8"	12"
	148mm	153mm	168mm	221mm	254mm	300mm	305mm
E	6-1/4"	6-1/4"	6-1/4"	6-1/4"	7-3/4"	10"	10"
	160mm	160mm	160mm	160mm	196mm	255mm	255mm
F	3"	3"	3"	3"	3-7/8"	5-1/4"	5-1/4"
	77mm	77mm	77mm	77mm	98mm	134mm	134mm
G	4-1/2"	4-5/8"	5-1/4"	6-7/8"	7-5/8"	9-1/8"	9-5/8"
	114mm	117mm	134mm	175mm	195mm	233mm	246mm

Ⓢ = CRITICAL DIMENSION  
 STANDARD TOLERANCES UNLESS NOTED:  
 ALL DECIMAL DIMENSIONS ± .005  
 ALL ANGLES ± 1°

DATE	NAME	MATERIAL
------	------	----------

DWN BY	WE34 BALL VALVE W/ ACTUATORS (FOR REFERENCE ONLY)	FINISH
--------	---	--------

CHKD	WE34 BALL VALVE W/ ACTUATORS (FOR REFERENCE ONLY)	<b>DWYER INSTRUMENTS, INC.</b>
------	---	--------------------------------

APPD	WE34 BALL VALVE W/ ACTUATORS (FOR REFERENCE ONLY)	MICHIGAN CITY, INDIANA 46360 U.S.A.
------	---	-------------------------------------

ACAD2002	WE34 BALL VALVE W/ ACTUATORS (FOR REFERENCE ONLY)	FR. NO.
----------	---	---------

3	WE34 BALL VALVE W/ ACTUATORS (FOR REFERENCE ONLY)	
---	---	--

NOTICE: This drawing and the principles and elements of design embodied therein are the exclusive property of DWYER INSTRUMENTS, INC. and are not to be communicated, disclosed, reproduced or used except as previously authorized in writing by such corporation and must not be submitted to outside parties for examination without the written consent of said corporation.