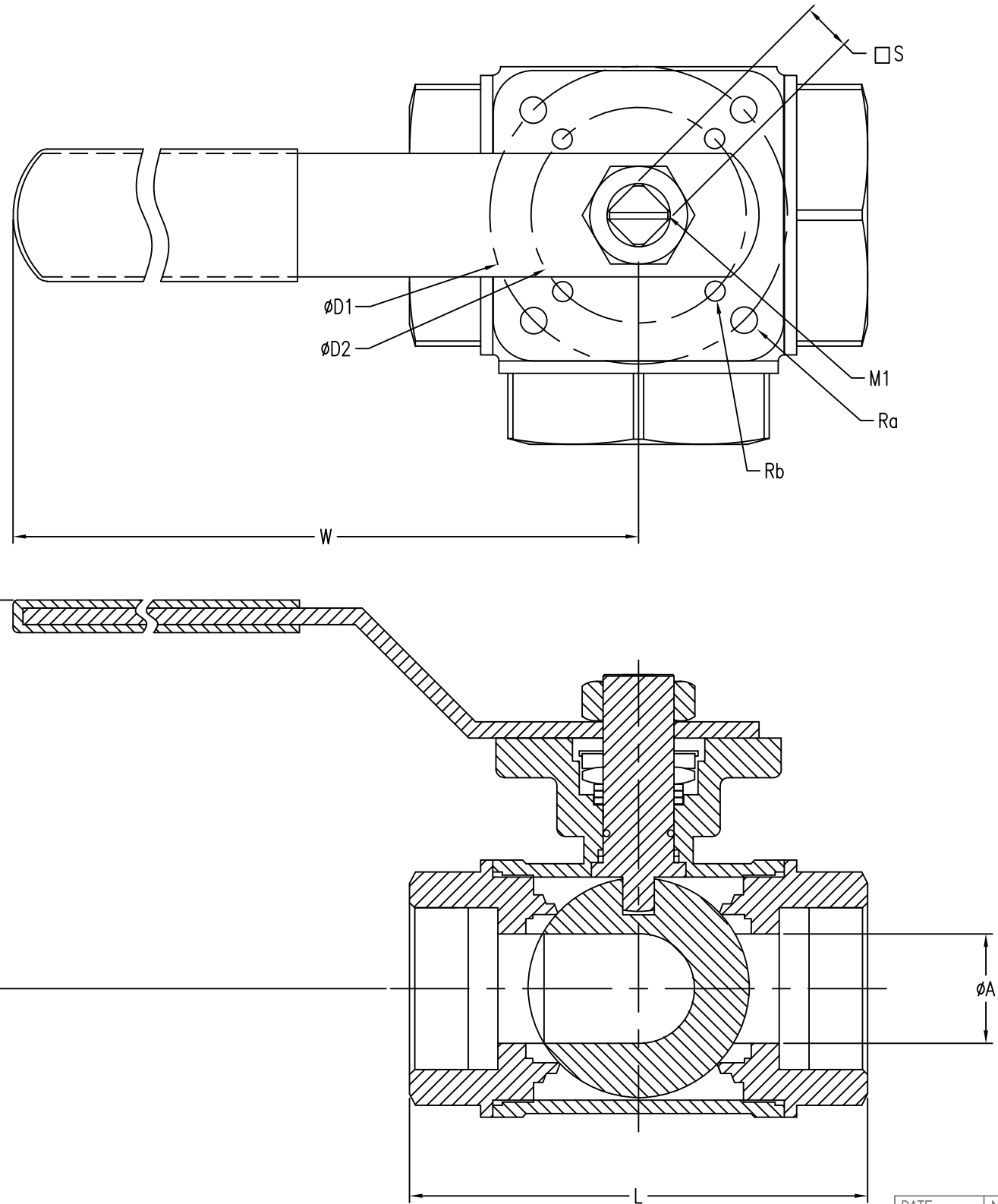


ITEM	DESCRIPTION	MATERIAL	QTY
1	BODY	BRASS	1
2	CAP-A		2
3	BALL		1
4	BALL SEAT	PTFE	2
5	JOINT GASKET	PTFE	1
6	STEM	BRASS	1
7	THRUST WASHER	NBR	1
8	O-RING	NBR	1
9	STEM PACKING	PTFE	1-2
10	GASKET	PTFE	1
11	V SEALING	AISI 304	1
12	LOCK NUT		1
13	STEM NUT		1
14	HANDLE		1
15	HANDLE COVER	PVC	1
16	FERRULE	AISI 304	1
17	STOPPER,BOLT&NUT		1
18	CAP-B	BRASS	1

Ⓢ = CRITICAL DIMENSION
 STANDARD TOLERANCES UNLESS NOTED:
 ALL DECIMAL DIMENSIONS ±
 ALL ANGLES ±

		DATE 02-14-17	NAME	ART WE35 BALL VALVE 3-WAY SHEET 1 OF 3	MATERIAL
		DWN BY CAT			FINISH
		CHKD DH			DWYER INSTRUMENTS, INC. MICHIGAN CITY, INDIANA 46360 U.S.A.
		APPD AH			
NO.	CHANGES	BY/DATE		ACAD2002	FR. NO. 701247-20

NOTICE: This drawing and the principles and elements of design embodied therein are the exclusive property of DWYER INSTRUMENTS, INC. and are not to be communicated, disclosed, reproduced or used except as previously authorized in writing by such corporation and must not be submitted to outside parties for examination without the written consent of said corporation.



Ⓢ = CRITICAL DIMENSION
 STANDARD TOLERANCES UNLESS NOTED:
 ALL DECIMAL DIMENSIONS ± .005
 ALL ANGLES ± 1°

DATE 02-14-17	NAME ART WE35 BALL VALVE 3-WAY	MATERIAL
DWN BY CAT	SHEET 2 OF 3	FINISH
CHKD DH		DWYER INSTRUMENTS, INC. MICHIGAN CITY, INDIANA 46360 U.S.A.
APPD AH		
ACAD2002		FR. NO. 701247-20

NOTICE: This drawing and the principles and elements of design embodied therein are the exclusive property of DWYER INSTRUMENTS, INC. and are not to be communicated, disclosed, reproduced or used except as previously authorized in writing by such corporation and must not be submitted to outside parties for examination without the written consent of said corporation.