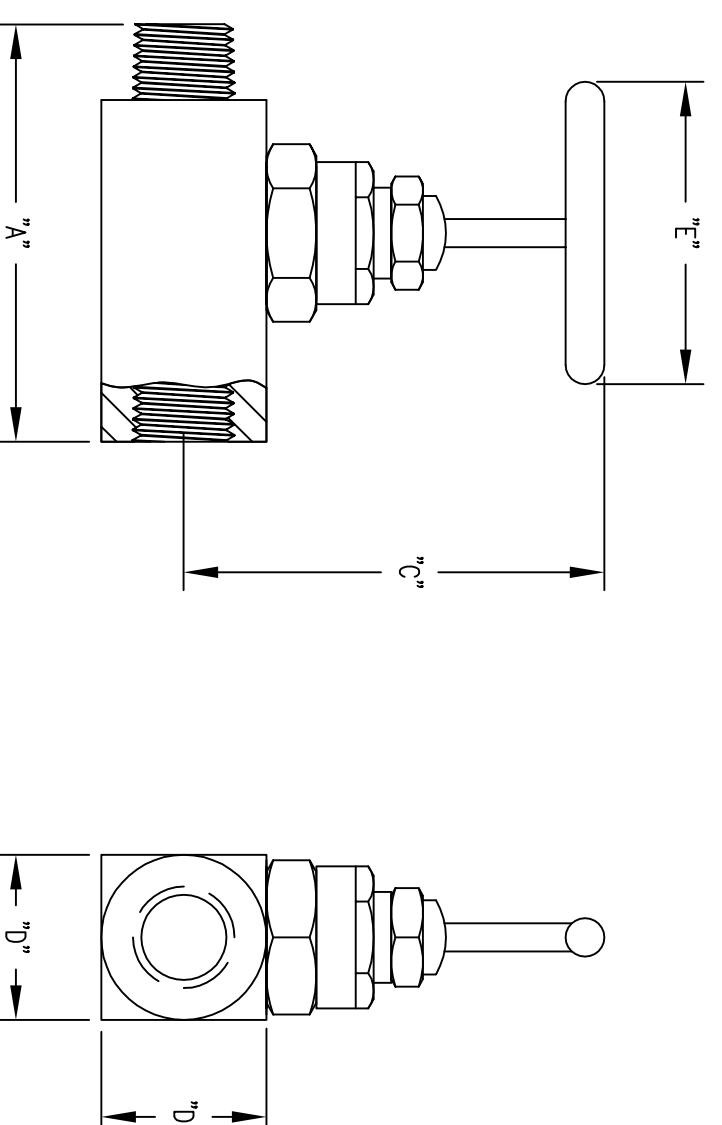
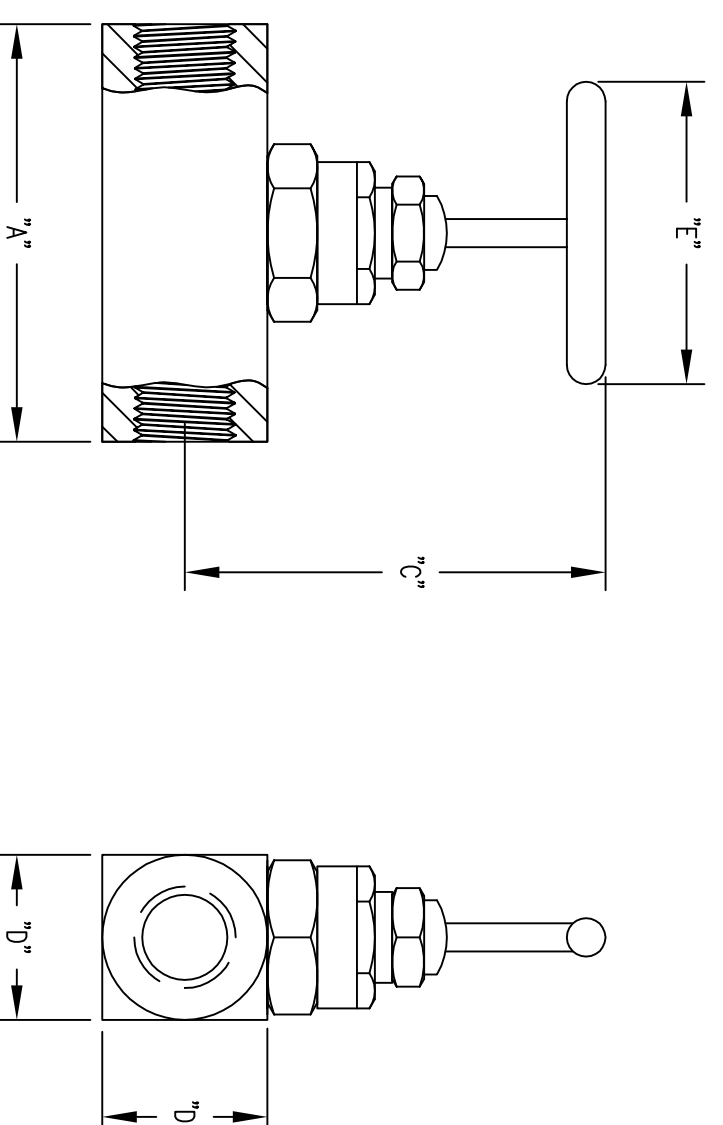


TYPE MxM



TYPE MxM



TYPE FxM

CONNECTION SIZE	A	D	C OPEN	C CLOSED	E
1/8 FxM	1-63/64 [50.4]				
1/8 MxM	2-11/64 [55.17]	7/8 [22.23]	2-11/64 [55.17]	2-1/16 [52.39]	1-37/64 [40.08]
1/8 MxM	2-3/8 [60.33]				
1/4 FxM	2-11/64 [55.17]				
1/4 MxM	2-9/16 [65.09]	63/64 [25]	2-31/64 [63.1]	2-25/64 [60.72]	1-37/64 [40.08]
1/4 MxM	2-3/8 [60.33]				
3/8 FxM	2-11/64 [55.17]				
3/8 MxM	2-9/16 [65.09]	63/64 [25]	2-31/64 [63.1]	2-25/64 [60.72]	1-37/64 [40.08]
1/2 FxM	2-9/16 [65.09]				
1/2 MxM	2-61/64 [75]	1-17/64 [32.15]	3-19/64 [83.74]	3-9/64 [79.77]	1-63/64 [50.4]
3/4 FxM	2-49/64 [70.25]				
3/4 MxM	2-61/64 [75]	1-1/2 [38.1]	3-1/2 [88.9]	3-17/64 [82.95]	1-63/64 [50.4]
3/4 MxM	3-5/32 [80.17]		3-19/64 [83.74]	3-9/64 [79.77]	
1 FxM	3-35/64 [90.09]				
1 MxM	4-9/64 [105.17]	1-25/32 [45.24]	3-63/64 [101.2]	3-25/32 [96.04]	1-63/64 [50.4]

SCALE 1:1

⊕ = CRITICAL DIMENSION
 STANDARD TOLERANCES UNLESS NOTED:
 ALL DECIMAL DIMENSIONS ± .005
 ALL ANGLES ± 1°

NO.		DATE	NAME	HVV SERIES NEEDLE VALVE	MATERIAL
CHANGES		BY	DATE		
		DMV	BY		
		CHKD			
		APPD			
NOTICE: The drawing and the principles and elements of design embodied therein are the exclusive property of DWYER INSTRUMENTS, INC. and are made patent for examination without the written consent of said corporation.					
				ACAD2002	
FR. NO.					
MICHIGAN CITY, INDIANA 46360 U.S.A.					
DWYER INSTRUMENTS, INC.					