



SERIES DFMT & DFMT2

DIGITAL PADDLEWHEEL FLOW TRANSMITTERS

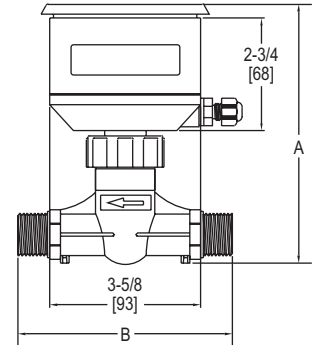
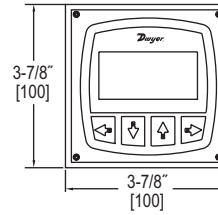
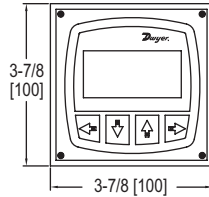
Flow and Total Indication, Easy to Read LCD Display, 4-20 mA or Pulse Output



DFMT

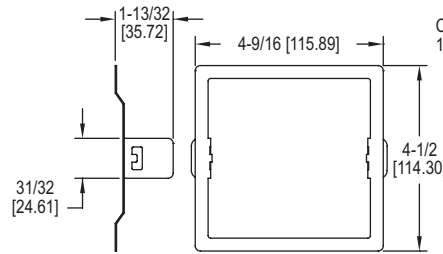


DFMT2



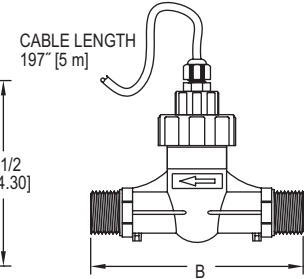
DFMT

Connection	A	B
3/8"	6" (152 mm)	4-3/4" (121 mm)
1/2"	6" (152 mm)	5-1/8" (130 mm)
3/4"	6-1/4" (158 mm)	5-5/8" (142 mm)
1"	6-1/4" (158 mm)	5-1/2" (141 mm)
1-1/2"	6-5/8" (168 mm)	6-7/8" (175 mm)
2"	7-1/4" (184 mm)	6-7/8" (175 mm)



Remote mounting bracket (stainless steel)

DFMT2



The **Series DFMT Digital Paddlewheel Flow Transmitters** provide instantaneous, as well as totalizing flow monitoring. The unit offers a user selectable 4-20 mA or pulse output with compact display.

FEATURES/BENEFITS

- The large backlit LCD display defines instantaneous as well as cumulative flow with visual indication bar designating percent of max flow
- Long operation life with high accuracy paddlewheel technology and corrosion resistant PVDF sensor
- Totalizer is user resettable at any time ideal for single batch totalization
- Security password protecting prevents any unauthorized changes

APPLICATIONS

- Cooling towers
- Chemical proportioning or blending
- Industrial water and wastewater treatment
- Cooling water monitoring
- Fluctuating fluid conductivity applications
- Reverse osmosis systems

The **Series DFMT2 Remote Digital Paddlewheel Flow Transmitter** provides instantaneous, as well as totalizing flow monitoring. The unit offers a user selectable 4 to 20 mA or pulse output with remote display.

FEATURES/BENEFITS

- Two piece design allows the user to separate the control display from the application, making it ideal in areas where space is limited
- The large backlit LCD display defines instantaneous as well as cumulative flow with visual indication bar designating percent of max flow
- Long operation life with high accuracy paddlewheel technology and corrosion resistant PVDF sensor
- Totalizer is user resettable at any time ideal for single batch totalization
- Security password protecting prevents any unauthorized changes

APPLICATIONS

- Reverse osmosis systems
- Remote flow monitoring
- Cooling towers
- Chemical proportioning or blending
- Industrial water & wastewater treatment
- Cooling water monitoring
- Fluctuating fluid conductivity applications

SPECIFICATIONS

Service: Compatible clean liquids.
Range: See model chart.
Wetted Materials: Sensor and impeller: PVDF; Shaft: Ceramic; O-rings: Fluoroelastomer.
Accuracy: ±1.5% FS.
Repeatability: ±0.5% FS.
Output: Analog: 4-20 mA (750 Ω max. loop resistance); Pulse: NPN square wave output; Frequency: 0 to 2 kHz (adjustable); Pulse width: 0 to 1000 ms (adjustable).
Electrical Connections: Removable screw terminal.
Temperature Limits: Process: -4 to 194°F (-20 to 90°C); Ambient: -4 to 149°F (-20 to 65°C).
Pressure Limit: 145 psi (1.0 MPa).
Power Requirements: 12-24 VDC.
Power Consumption: 2 W.
Display: 2.38 x 1.25" (60.33 x 31.75 mm) LCD.
Totalizing Display Maximum: 9,999,999,999.
Process Connection: See model chart.
Enclosure Rating: IP65.
Enclosure Material: ABS plastic.
Weight: See model chart.

Model	Range GPM (m³/h)	Connection	Weight lb (kg)
DFMT-10A	0.44 to 7.93 (0.1 to 1.8)	3/8" NPT	1.06 (0.48)
DFMT-15A	0.88 to 17.61 (0.2 to 4)	1/2" NPT	1.10 (0.5)
DFMT-20A	1.32 to 26.42 (0.3 to 6)	3/4" NPT	1.15 (0.52)
DFMT-25A	2.20 to 52.83 (0.5 to 12)	1" NPT	1.23 (0.56)
DFMT-40A	6.61 to 105.67 (1.5 to 24)	1-1/2" NPT	1.46 (0.66)
DFMT-50A	8.81 to 176.11 (2 to 40)	2" NPT	1.68 (0.76)

Model	Range GPM (m³/h)	Connection	Weight lb (kg)
DFMT2-10A	0.44 to 7.93 (0.1 to 1.8)	3/8" NPT	1.76 (0.8)
DFMT2-15A	0.88 to 17.61 (0.2 to 4)	1/2" NPT	1.81 (0.82)
DFMT2-20A	1.32 to 26.42 (0.3 to 6)	3/4" NPT	1.85 (0.84)
DFMT2-25A	2.20 to 52.83 (0.5 to 12)	1" NPT	1.94 (0.88)
DFMT2-40A	6.61 to 105.67 (1.5 to 24)	1-1/2" NPT	2.20 (1.0)
DFMT2-50A	8.81 to 176.11 (2 to 40)	2" NPT	2.43 (1.1)