

BAR GRAPH METERS

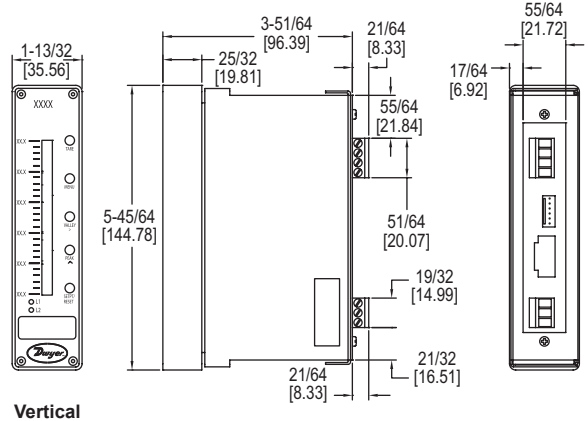
Clear Relative Position and High Resolution In One



Vertical



Horizontal



The **Series BGM Bar Graph Meters** are durable options to replace a wide range of analog meters. This product utilizes a keypad that allows for easy access of features without navigating through complex menu structures. The LED bar graph can be used in addition to the 4-digit LED display, which adds a visual indicator of the measured value for better analysis.

FEATURES/BENEFITS

- Bar graph visual indicator
- High resolution for better precision
- Many configurable options to design a meter for any need

APPLICATIONS

- Visual location and indication of flow, level or air velocity

ACCESSORIES	
Model	Description
A-BGM-RPM	Remote programmer module

SPECIFICATIONS	
Inputs: 0 to ±10 VDC or 4 to 20 mA.	Temperature Limits: Operating: -13 to 176°F (-25 to 80°C); Storage: -67 to 176°F (-55 to 80°C).
Accuracy: ±0.05% FS.	Enclosure Rating: NEMA 1 or NEMA 4X**, model dependent IP65 front.
Power Requirements: 120 VAC 50/60 Hz, 5 to 12 VDC, or 10 to 30 VDC model dependent.	Electrical Connections: Removable screw terminal blocks.
Power Consumption: 120 VAC: 2.4 W @ 20 mA max; 5 to 12 VDC: 1.2 W @ 100 mA max; 10 to 30 VDC: 1.5 W @ 50 mA max.	Outputs: 2 SPST relay outputs (optional).
Display: LED display: 4 red colored digits, 0.3" height; LED graph: 31 element bar, 0.2" W x 3.1" L (5.08 mm W x 78.74 mm L).	Switch Rating: 1 A @ 200 V.
Decimal Point: 3 positions, user selectable.	Enclosure Material: Bezel: Black epoxy enameled steel; Window: Acrylic; Case and mounting bracket: 304 SS.
	Time Delay: 0.5 s.
	Weight: 40 oz (1.13 kg).

**NEMA 4X option requires A-BGM-RPM for programming

Panel Meters/
Indicators

MODEL CHART										
Example	BGM	-H	0	0	-N	W	D	-AE	-AO	BGM-H00-NWD-AE-AO
Series	BGM									Bar graph meter
Orientation		H V								Horizontal Vertical
Enclosure Rating			0 4							None NEMA 4X**
Relays				0 2						None 2 relay outputs
Voltage Retransmission					N E					None Voltage retransmission
Power Supply						W S D				120 VAC 50/60 Hz 5 to 12 VDC 10 to 30 VDC
Signal Input							D A B			0 to ±10 VDC 4 to 20 mA 0 to 5 VDC
Scale Label*								AE AF AH AI AM AZ		Feet FPM Inches w.c. Inch/sec Level Tank level
Scale Range*									AO AQ AT AV AW AX AZ BA	0 to 5 0 to 10 0 to 20 0 to 30 0 to 40 0 to 50 0 to 75 0 to 100

*Contact factory for additional options
**NEMA 4X option requires A-BGM-RPM for programming