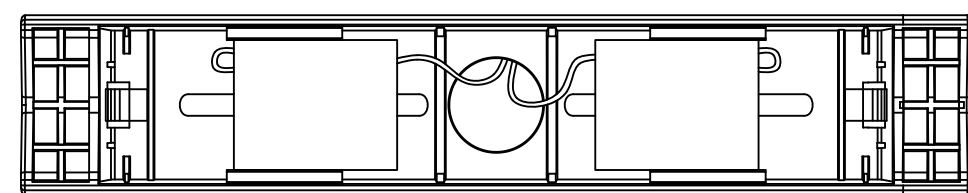
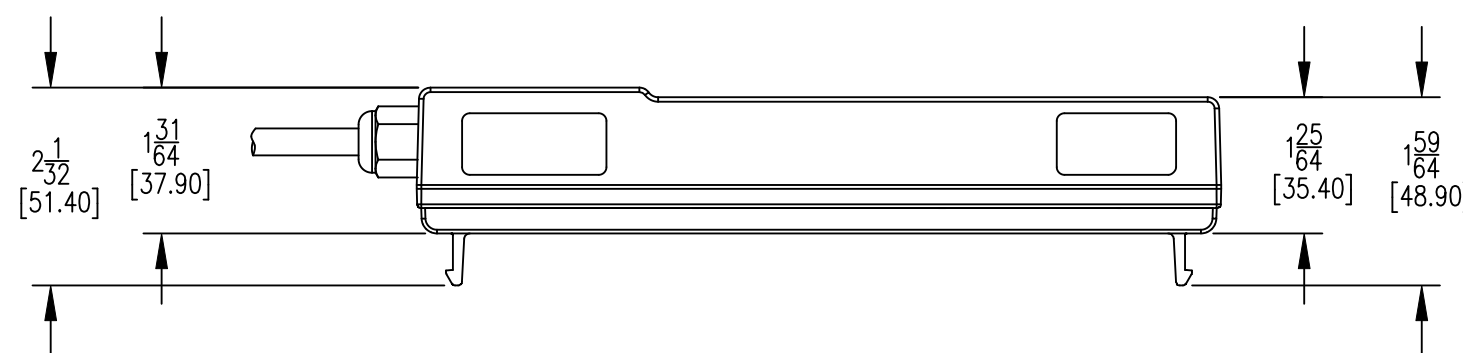
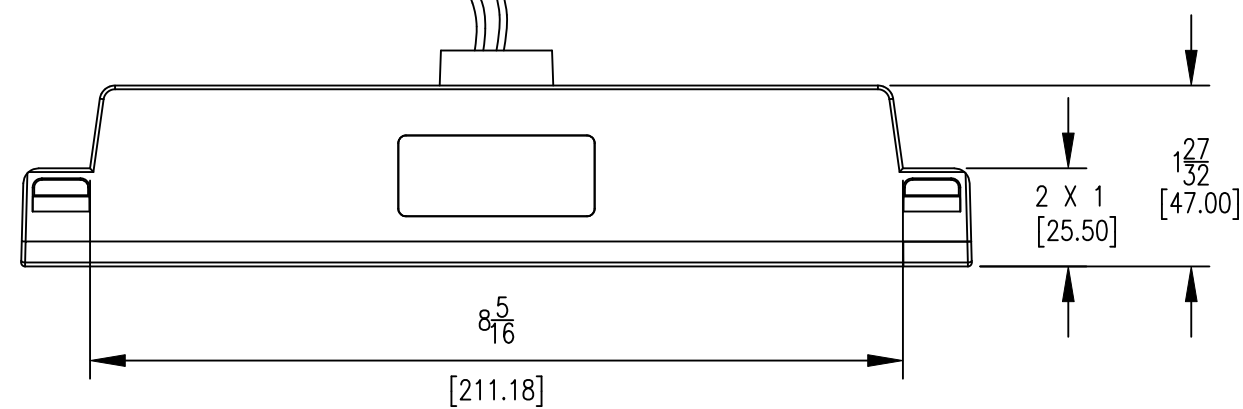
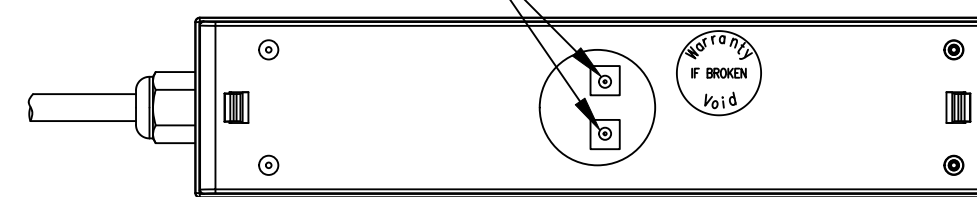


FEMALE SMB COAXIAL CONNECTORS



SENSOR ASSEMBLY

MALE SMB COAXIAL CONNECTORS



ELECTRONICS MODULE

Ⓢ = CRITICAL DIMENSION
STANDARD TOLERANCES UNLESS NOTED:
ALL DECIMAL DIMENSIONS ± .005
ALL ANGLES ± 1°

		DATE 09-18-20	NAME	MATERIAL
		DWN BY DPR	ARTWORK SERIES UFM2 ULTRASONIC FLOWMETER (FOR REFERENCE ONLY)	FINISH
		CHKD JEO		DWYER INSTRUMENTS, INC. MICHIGAN CITY, INDIANA 46360 U.S.A.
		APPD FAE		
NO.	CHANGES	BY/DATE		
NOTICE: This drawing and the principles and elements of design embodied therein are the exclusive property of DWYER INSTRUMENTS, INC. and are not to be communicated, disclosed, reproduced or used except as previously authorized in writing by such corporation and must not be submitted to outside parties for examination without the written consent of said corporation.				ACAD2002 3