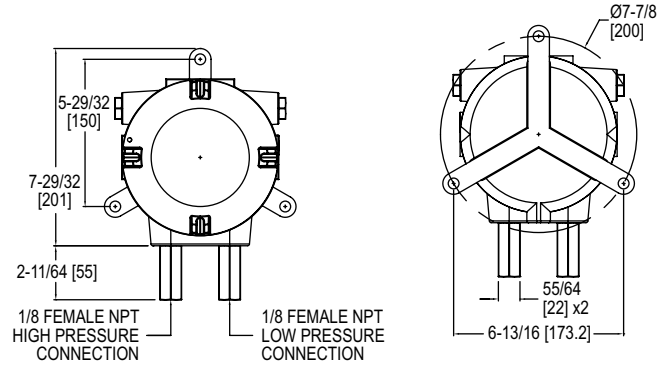
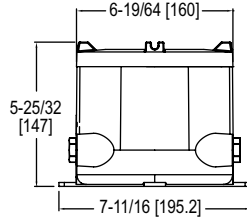


# ATEX/IECEx APPROVED COMPACT LOW DIFFERENTIAL PRESSURE SWITCHES

## The 1900 in Flameproof ATEX/IECEx Enclosure



AT-101NA-1900, shown with VS0 port/valve configuration

**Series AT-1900 ATEX/IECEx Approved Compact Low Differential Pressure Switches** is our most popular switch and is now available in a flameproof package. This pressure switch combines advanced design and precision construction to make these switches able to perform many of the tasks of larger, costlier units. For air and non-combustible compatible gases, the Series AT-1900 switches have set points from 0.07 to 20 in w.c. (1.8 to 508 mm). Set point adjustment is easy with range screw located inside the switch enclosure. Series AT-1900 switches are available in aluminum enclosures and ideal for low pressure, hazardous area applications.

**FEATURES/BENEFITS**

- Flameproof enclosure protects the device in hazardous areas
- Compact size and repeatability provide a high-value switch for many industrial and OEM applications
- Wide range of models from 0.07 in w.c. to 20 in w.c. can meet exacting OEM specifications for a low pressure switch
- Range screw protected inside switch enclosure prevents tampering

**APPLICATIONS**

- Hazardous area low pressure applications
- Air conditioning refrigeration coil icing detection; defrost cycle initiation
- Clogged filter detection
- Variable air volume controller

**Attention:** Check local safety rules and warnings on unit and manual for a correct use of the instrument in hazardous area.

PRESSURE LIMITS		
Port/Valve	One Pressure Port Connected	Both Pressure Ports Connected
VS0	10 kPa	10 kPa
VLO	10 kPa	10 kPa

MODEL CHART										
Example	AT	-101NA	-1910	-00	-B	1	VS0	12	AT-101NA-1910-00-B1VS012	
Enclosure	AT								ATEX/IECEx approved enclosure	
Housing Material		101NA							Aluminum enclosure	
Series			1910						1910 differential pressure switch	
Range				00					0.07-0.15 in w.c. (17.5-37 Pa)	
				0					0.15-0.55 in w.c. (37.5-137 Pa)	
				1					0.40-1.6 in w.c. (100-398 Pa)	
				5					1.4-5.5 in w.c. (348.5-1368 Pa)	
				10					3.0-11.75 in w.c. (747-2924 Pa)	
				20					4.0-20.0 in w.c. (996-4977 Pa)	
Cover					B				Blind	
Port/Valve Material						1			Brass	
						2			Stainless steel	
Port/Valve Configurations							VS0		STD port/no valve	
							VLO		LD port/no valve	
Cable Entry								12	1/2" NPT ANSI/ASME B1.20.1	

**SPECIFICATIONS**

**Service:** Air and non-combustible, compatible gases.  
**Wetted Materials:** Consult factory.  
**Temperature Limits:** -30 to 180°F (-34 to 82.2°C) (**Note:** Product temperature limits differ from case).  
**Pressure Limits:** See pressure limit chart.  
**Switch Type:** SPDT.  
**Repeatability:** ±3% FS.  
**Electrical Rating:** 15 A @ 120-480 VAC, 60 Hz. Resistive 1/8 HP @ 125 VAC, 1/4 HP @ 250 VAC, 60 Hz. Derate to 10 A for operation at high cycle rates.  
**Mounting Orientation:** Diaphragm in vertical position.  
**Set Point Adjustment:** Screw type on pressure switch inside the enclosure accessible by hole with plug on housing. Set point regulation must be done with instrument de-energized. Follow instructions and safety warning to open cover.  
**Enclosure Rating:** IP66.  
**Housing Material:** Aluminum.  
**Finishing:** Texture epoxy coat RAL7015.  
**Process Connections:** 1/8" NPT female brass (SS optional).  
**Electrical Connections:** Two 1/2" NPT female. Cable gland not included.  
**Weight:** 10.5 lb (4.8 kg).  
**ATEX Certificate:** EPT 19 ATEX 3192 X.  
**Agency Approvals:** ATEX compliant: 0477 II 2G Ex db IIC T5, T6 Gb -60°C ≤Ta ≤+50°C (T6) -60°C ≤Ta ≤+60°C (T5) II 2D Ex tb IIIC T75 °C Db IECEx Compliant: Ex db IIC T5, T6 Gb -60°C ≤Ta ≤+50°C (T6) -60°C ≤Ta ≤+60°C (T5) Ex tb IIC T75°C Db.