



Series V6 FLOTECT® Flow Switch

Specifications - Installation and Operating Instructions



The Series V6 FLOTECT® Flow Switch is an inexpensive, explosion-proof flow switch for use on air, water or other compatible gases and liquids. Three configurations are available - 1. Factory installed in a tee. 2. With a trimmable vane for field adjustment and installation in a suitable tee. 3. Low flow models with an integral tee and adjustable valve. All are available with an optional enclosure which is UL and CSA listed, or Directive 2014/34/EU (ATEX) compliant for $\text{CE } 2813 \text{ II } 2 \text{ G Ex db IIC T6 Gb}$ Process Temps $\leq 75^{\circ}\text{C}$ or IECEx compliant for Ex db IIC T6 Gb Process Temp $\leq 75^{\circ}\text{C}$.

INSTALLATION

Unpack and remove any packing material found inside lower housing or tee.

Switch can be installed in any position but the actuation/deactuation flow rates in the charts are based on horizontal pipe runs and are nominal values. For more precise settings, units can be factory calibrated to specific flow rates.

V6 Models with Tee are supplied in 1/2" - 2" NPT sizes. Install in piping with arrow pointing in direction of flow.

V6 Low Flow Models have 1/2" NPT connections and are field adjustable. Install in piping with arrow pointing in direction of flow. To adjust, loosen the four socket head cap screws on bottom. The adjustment valve rotates 90° between "O" (open) and "C" (closed). See flow charts for approximate ranges. Tighten screws once the required flow rate has been set.

V6 with Field Trimmable Vane. These models enable the installer to choose approximate actuation/deactuation points by trimming the full size vane at appropriate letter-designated marks on a removable template. Flows are defined in the following charts. Note that the charts are based on either brass or cast iron reducing tees or stainless or forged steel straight tees with bushings where necessary. Install in piping with arrow pointing in direction of flow.

When bushings are used, they must be back drilled to allow proper clearance for unrestricted vane travel. Bore the I.D. to 13/16" (20 mm) on 1/2" x 3/4" bushings or 1" (25 mm) on larger bushings. The depth of the bore must leave internal threads 9/16" (14 mm) high for proper engagement between the lower housing of the switch and the bushing. Check for proper vane travel and switch operation after installation.

SPECIFICATIONS

Service: Gases or liquids compatible with wetted materials.

Wetted Materials: Standard V6 Models: Vane: 301 SS; Lower Body: brass or 303 SS; Magnet: ceramic; Other: 301, 302 SS; Tee: brass, iron, forged steel, or 304 SS. V6 Low Flow Models: Lower Body: brass or 303 SS; Tee: brass or 304 SS; Magnet: ceramic; O-ring: Buna-N standard, Fluoroelastomer optional; Other: 301, 302 SS.

Temperature Limits: -4 to 220°F (-20 to 105°C) Standard, MT high temperature option 400°F (205°C) (MT not UL, CSA, ATEX, IECEx or KC) ATEX Compliant AT, IECEx IEC Option and KC (KC Option), Ambient Temperature -4 to 167°F (-20 to 75°C) Process Temperature: -4 to 220°F (-20 to 105°C).

Pressure Limit: Brass lower body with no tee models 1000 psig (69 bar), 303 SS lower body with no tee models 2000 psig (138 bar). Brass tee models 250 psi (17.2 bar), iron tee models 1000 psi (69 bar), forged and stainless steel tee models 2000 psi (138 bar), low flow models 1450 psi (100 bar).

Enclosure Rating: Weatherproof and Explosion-proof. Listed with UL and CSA for Class I, Groups A, B, C and D; Class II, Groups E, F, and G. (Group A on stainless steel body models only).

CE 2813 II 2 G Ex db IIC T6 Gb Process Temp $\leq 75^{\circ}\text{C}$ Alternate Temperature Class T5 Process Temp $\leq 90^{\circ}\text{C}$, 115°C (T4) Process Temp $\leq 105^{\circ}\text{C}$ consult factory. EU-Type Certificate No.: KEMA 04ATEX2128.

ATEX Standards: EN60079-0:2012 +A11: 2013; EN60079-1: 2014.

IECEx Certified: For Ex db IIC T6 Gb Process Temp $\leq 75^{\circ}\text{C}$ Alternate Temperature Class T5 Process Temp $\leq 90^{\circ}\text{C}$, 115°C (T4) Process Temp $\leq 105^{\circ}\text{C}$ consult factory.

IECEx Certificate of Conformity: IECEx DEK 11.0039; IECEx Standards: IEC 60079-0: 2011; IEC 60079-1: 2014; Korean Certified (KC) for: Ex d IIC T6 Gb Process Temp $\leq 75^{\circ}\text{C}$; KTL Certificate Number: 12-KB4BO-0091.

Switch Type: SPDT snap switch standard, DPDT snap switch optional.

Electrical Rating: UL models: 5A @ 125/250 VAC. CSA, ATEX and IECEx models: 5A @ 125/250 VAC (V~); 5A res., 3A ind. @ 30 VDC (V-). MV option: .1A @ 125 VAC (V~). MT option: 5A @ 125/250 VAC (V~). [MT option not UL, CSA, ATEX or IECEx].

Electrical Connections: UL models: 18 AWG, 18" (460 mm) long. ATEX/CSA /IECEx models: terminal block.

Upper Body: Brass or 303 stainless steel.

Conduit Connections: 3/4" male NPT standard, 3/4" female NPT on junction box models. M25 x 1.5 with -BSPT option.

Process Connection: 1/2" male NPT on models without a tee.

Mounting Orientation: Switch can be installed in any position but the actuation/deactuation flow rates in the charts are based on horizontal pipe runs and are nominal values.

Set Point Adjustment: Standard V6 models none. Without tee models vane is trimmable. Low flow models are field adjustable in the range shown. See set point charts on opposite page.

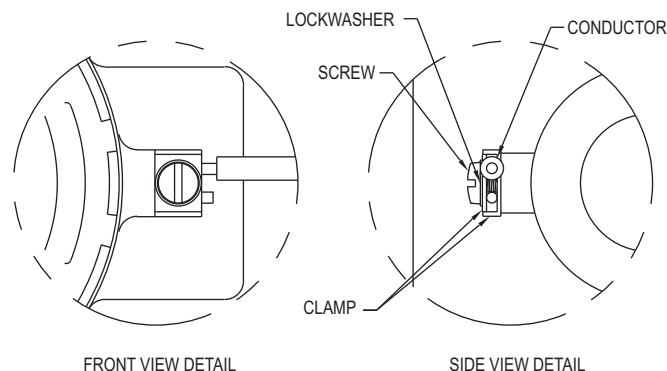
Weight: 2 to 6 lb (.9 to 2.7 kg) depending on construction.

Options not Shown: Custom calibration, bushings, PVC tee, reinforced vane, DPDT relays.

ELECTRICAL CONNECTIONS

Connect wire leads in accordance with local electrical codes and switch action required. N.O. contacts will close and N.C. contacts will open when flow increases to the actuation point. They will return to "normal" condition when flow decreases to the deactuation point. Black = Common, Blue = Normally Open and Red = Normally Closed.

For units supplied with both internal ground and external bonding terminals, the ground screw inside the housing must be used to ground the control. The external bonding screw is for supplementary bonding when allowed or required by local code. When external bonding conductor is required, conductor must be wrapped a minimum of 180° about the external bonding screw. See below. Some CSA listed models are furnished with a separate green ground wire. Such units must be equipped with a junction box, not supplied but available on special order.



EU-Type Certificate, IECEx and KC Installation Instructions:

Cable Connection

The cable entry device shall be certified in type of explosion protection flameproof enclosure "d", suitable for conditions of use and correctly installed. For Ta ≥ 65°C cable and cable gland rated ≥ 90°C shall be used.

Conduit Connection

An Ex d certified sealing device such as a conduit seal with setting compound shall be provided immediately to the entrance of the valve housing. For Ta ≥ 65°C wiring and setting compound, in the conduit seal, rated ≥ 90°C shall be used.

Note: ATEX, IECEx and KC units only: The temperature class is determined by the maximum ambient and or process temperature. Units are intended to be used in ambient of -20°C ≤ Tamb ≤ 75°C. Units may be used in process temperatures up to 105°C providing the enclosure and switch body temperature do not exceed 75°C. The standard Temperature Class is T6 Process Temp ≤ 75°C. Alternate Temperature Class of T5 Process Temp ≤ 90°C and 115°C (T4) Process Temp ≤ 105°C are available consult factory.

Refer to Certificate No: IECEx DEK 11.0039 for conditions of safe use for IECEx compliant units.

All wiring, conduit and enclosures must meet applicable codes for hazardous areas. Conduits and enclosures must be properly sealed. For outdoor or other locations where temperatures vary widely, precautions should be taken to prevent condensation inside switch or enclosure. Electrical components must be kept dry at all times.

CAUTION: To prevent ignition of hazardous atmospheres, disconnect the device from the supply circuit before opening. Keep assembly tightly closed when in use.

MAINTENANCE

Inspect and clean wetted parts at regular intervals. The cover should be in place at all times to protect, the internal components from dirt, dust and weather and to maintain hazardous location ratings. Disconnect device from the supply circuit before opening to prevent ignition of hazardous atmosphere. Repairs to be conducted by Dwyer Instruments, Inc. Units in need of repair should be returned to the factory prepaid.

Example	V6	EP	BB	D	1	B	AT	Series V6EPB-B-D-1-B-AT Flotect® Mini-Size Flow Switch, brass body, DPDT, 1/2" brass tee, with ATEX approval.
Series	V6							Flotect® Mini-Size Flow Switch
Construction		EP						Explosion Proof
Body			BB					Brass Stainless Steel
Switch Type			SS					DPDT SPDT
Tee Connection Size					1 2 3 4 5 6 LF 1E 2E 3E 4E 5E 6E LFE			1/2" NPT 3/4" NPT 1" NPT 1-1/4" NPT 1-1/2" NPT 2" NPT Low Flow with 1/2" NPT Inlet and Outlet 1/2" BSPT ++ 3/4" BSPT ++ 1" BSPT ++ 1-1/4" BSPT ++ 1-1/2" BSPT ++ 2" BSPT ++ Low Flow with 1/2" BSPT Inlet and Outlet ++
Tee Type and Material						B S O		Brass Stainless Steel NO Tee with Field Trimmable Vane
Options							18 20 22 022A 31 AT BUSH2 BUSH3 BUSH4 BUSH5 BUSH6 BUSH7 BUSH8 BUSH9 BUSH10 BUSH11 CSA CV FTR GL ID IEC JCTLH KC MT MV NN ORFB ORFS PT RV ST TBC VIT	0.018 Spring for Low Flow .020 Spring for Low Flow .022 Spring for Low Flow .022 Spring for Low Flow with Alnico Magnet .031 Spring for Low Flow ATEX Approval 1/2" NPT x 3/4" NPT Bushing 1/2" NPT x 1" NPT Bushing 1/2" NPT x 1-1/4" NPT Bushing 1/2" NPT x 1-1/2" NPT Bushing 1/2" NPT x 2" NPT Bushing 1/2" BSPT x 3/4" BSPT Bushing, M25 X 1.5 Conduit Connection ++ 1/2" BSPT x 1" BSPT Bushing, M25 X 1.5 Conduit Connection ++ 1/2" BSPT x 1-1/4" BSPT Bushing, M25 X 1.5 Conduit Connection ++ 1/2" BSPT x 1-1/2" BSPT Bushing, M25 X 1.5 Conduit Connection ++ 1/2" BSPT x 2" BSPT Bushing, M25 X 1.5 Conduit Connection ++ CSA* Custom Vane Flow Test Report Ground Lead* Custom Nameplate IECEx Approval Junction Box with Left Side Conduit Korean Certified* High Temperature* Gold Contacts No Nameplate* Brass Orifice Stainless Steel Orifice Paper Tag Reinforced Vane Stainless Steel Tag Terminal Block Connector* Flouroelstomer Seals

*Options that do not have ATEX or IECEx ++ BSPT options not compatible with KC option

V6 With Tee

Cold Water - Factory Installed Tee

Approximate actuation/deactuation low Rates

GPM upper, M³/HR lower

1/2" NPT	3/4" NPT	1" NPT	1-1/4" NPT	1-1/2" NPT	2" NPT
1.5 1.0	2.0 1.25	3.0 1.75	4.0 3.0	6.0 5.0	10.0 8.5
0.34 0.23	0.45 0.28	0.68 0.40	0.91 0.68	1.36 1.14	2.27 1.93

Air-Factory Installed Tee

Approximate actuation/deactuation flow rates

SCFM upper, NM³/M lower

1/2" NPT	3/4" NPT	1" NPT	1-1/4" NPT	1-1/2" NPT	2" NPT
6.5 5.0	10.0 8.0	14 12	21 18	33 30	43 36
.18 .14	.28 .23	.40 .34	.59 .51	.93 .85	1.19 1.02

V6 Low Flow, Field Adjustable

Cold Water - Low Flow Models

Approximate actuation/deactuation flow rates

GPM upper, M³/HR lower

Minimum	Maximum
.04 .03	.75 0.60
.009 .007	0.17 0.14

Air - Low Flow Models

Approximate actuation/deactuation flow rates

SCFM upper, NM³/M lower

Minimum	Maximum
.18 .15	2.70 2.0
.005 .004	.08 .06

Attention: Units without the "AT" suffix are not Directive 2014/34/EU (ATEX) compliant. These units are not intended for use in potentially hazardous atmospheres in the EU. These units may be CE marked for other Directives of the EU.

V6 With Field Trimmable Vane
Cold Water - Brass or Cast Iron Reducing Tee
 Approximate actuation/deactuation flow rates
 GPM upper, M³/HR lower

Air - Brass or Cast Iron Reducing Tee
 Approximate actuation/deactuation flow rates
 SCFM upper, NM³/M lower

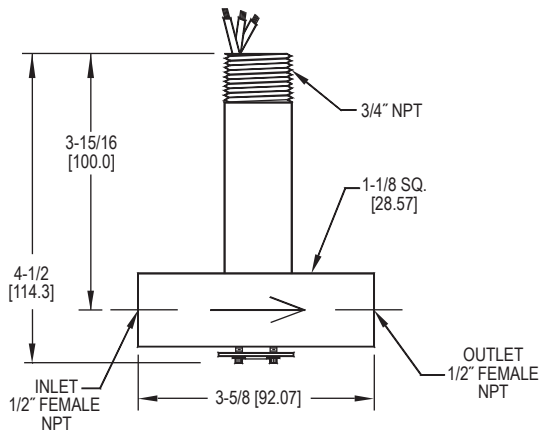
Vane	1/2" NPT	3/4" NPT	1" NPT	1-1/4" NPT	1-1/2" NPT	2" NPT	1/2" NPT	3/4" NPT	1" NPT	1-1/4" NPT	1-1/2" NPT	2" NPT
Full Size						9.0 8.5						39.0 37.0
a						2.0 1.9						1.10 1.05
b						9.5 9.0						40.0 38.0
c						2.2 2.0						1.13 1.08
d						10.0 9.3						42.0 40.0
e						2.3 2.1						1.19 1.13
f						11.0 10.0						50.0 44.0
g						2.5 2.3						1.42 1.25
h					6.2 5.5	12.0 10.0					27.0 25.0	55.0 46.0
i					1.4 1.2	2.7 2.3					0.76 0.71	1.56 1.30
j					7.0 6.5	13.0 11.0					30.0 28.0	
k					1.6 1.5	3.0 2.5					0.85 0.79	
l				4.3 3.9	7.6 7.1	14.0 12.0			20.0 18.0	32.0 30.0		
m				1.0 0.9	1.7 1.6	3.2 2.7			0.57 0.51	0.91 0.85		
n				4.9 4.4	8.0 7.3				21.0 19.0	34.0 32.0		
o				1.1 1.0	1.8 1.7				0.59 0.54	0.96 0.91		
p				5.5 5.0	9.0 8.2				23.0 21.0	37.0 34.0		
q				1.2 1.1	2.0 1.9				0.65 0.59	1.05 0.96		
r			3.5 3.1	6.0 5.6	10.0 9.0			16.0 15.0	24.0 22.0	39.0 36.0		
s			0.8 0.7	1.4 1.3	2.3 2.0			0.45 0.42	0.68 0.62	1.10 1.02		
t			4.0 3.5	7.0 6.6	13.0 11.0			18.0 16.0	28.0 25.0	51.0 45.0		
u			0.9 0.8	1.6 1.5	3.0 2.5			0.51 0.45	0.79 0.71	1.44 1.27		
v			4.6 4.2	8.0 7.6	15.0 13.0			19.0 17.0	33.0 30.0	69.0 57.0		
w			1.04 0.95	1.8 1.7	3.4 3.0			0.54 0.48	0.93 0.85	1.95 1.61		
x		2.6 2.3	5.6 5.2	10.0 9.0				13.0 12.0	22.0 20.0	38.0 35.0		
y		0.6 0.5	1.3 1.2	2.3 2.0				0.37 0.34	0.62 0.57	1.08 0.99		
z	1.6 1.3	3.5 3.1	6.3 6.1	12.0 10.0			6.4 3.8	15.0 14.0	25.0 23.0	45.0 42.0		
aa	0.4 0.3	0.8 0.7	1.43 1.39	2.7 2.3			0.18 0.11	0.42 0.40	0.71 0.65	1.27 1.19		
ab	2.2 1.8	4.3 3.8	8.0 7.5				10.0 7.0	20.0 16.0	32.0 28.0			
ac	0.5 0.4	1.0 0.9	1.8 1.7				0.28 0.20	0.57 0.45	0.91 0.79			
ad	3.0 2.4						12.0 9.0					
ae	0.7 0.5						0.34 0.25					

Cold Water - Stainless or Forged Steel Straight Tee and Bushing
 Approximate actuation/deactuation flow rates
 GPM upper, M³/HR lower

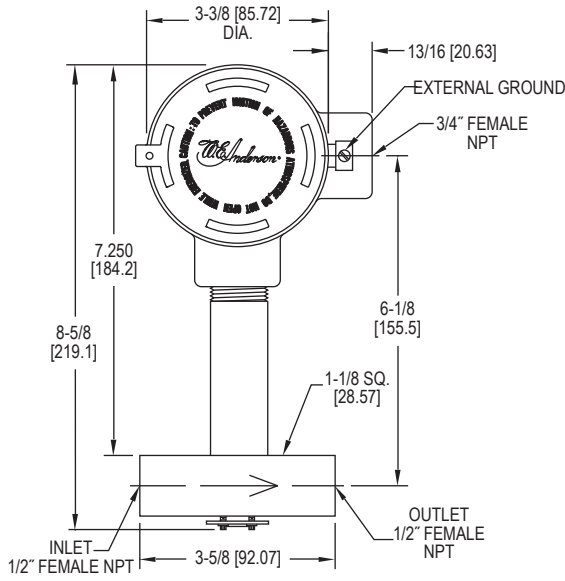
Air - Stainless or Forged Steel Straight Tee and Bushing
 Approximate actuation/deactuation flow rates
 SCFM upper, NM³/M lower

Vane	1/2" NPT	3/4" NPT	1" NPT	1-1/4" NPT	1-1/2" NPT	2" NPT	1/2" NPT	3/4" NPT	1" NPT	1-1/4" NPT	1-1/2" NPT	2" NPT
Full Size				5.0 4.5	8.5 7.8					21.0 18.0	33.0 30.0	
a				1.1 1.0	1.9 1.8					0.59 0.51	0.93 0.85	
b				5.5 5.0	9.2 8.6					22.0 20.0	39.0 36.0	
c				1.2 1.1	2.1 2.0					0.62 0.57	1.10 1.02	
d				6.2 5.7	9.8 9.0					24.0 22.0	42.0 38.0	
e				1.4 1.3	2.2 2.0					0.68 0.62	1.19 1.08	
f				6.8 6.3	12.0 10.0					28.0 26.0	51.0 46.0	
g				1.5 1.4	2.7 2.3					0.79 0.74	1.44 1.30	
h			2.8 2.4	8.5 7.8	13.0 11.0			12.0 10.0	33.0 30.0	55.0 50.0		
i			0.6 0.5	1.9 1.8	3.0 2.5			0.34 0.28	0.93 0.85	1.56 1.42		
j			3.4 3.0	10.0 9.2				14.0 12.0	37.0 34.0			
k			0.8 0.7	2.3 2.1				0.40 0.34	1.05 0.96			
l			4.0 3.6	12.0 10.0				16.0 14.0	43.0 40.0			
m			0.91 0.82	2.7 2.3				0.45 0.40	1.22 1.13			
n	2.0 1.5	5.0 4.5						8.0 6.5	19.0 17.0			
o	0.5 0.3	1.1 1.0						0.23 0.18	0.54 0.48			
p	2.5 2.0	6.5 6.1						11.0 10.0	26.0 24.0			
q	0.6 0.5	1.48 1.39						0.31 0.28	0.74 0.68			
r	3.5 3.0	9.0 8.2						14.0 13.0	32.0 30.0			
s	0.8 0.7	2.0 1.9						0.40 0.37	0.91 0.85			
t	7.0 5.5							27.0 24.0				
u	1.6 1.2							0.76 0.68				
v	10.0 8.0							39.0 36.0				
w	2.3 1.8							1.10 1.02				

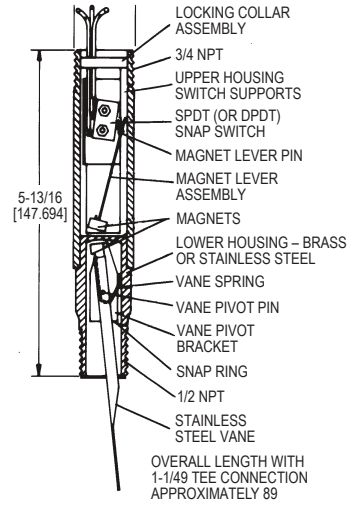
DIMENSIONS
Series V6 FLOTECT® Flow Switch



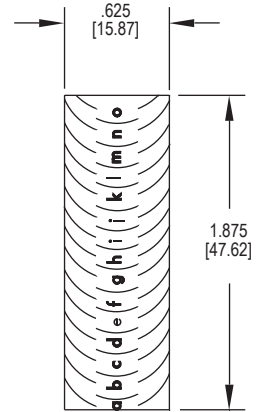
V6 Low Flow



V6 Low Flow with CSA, IECEx, ATEX Conduit Enclosure

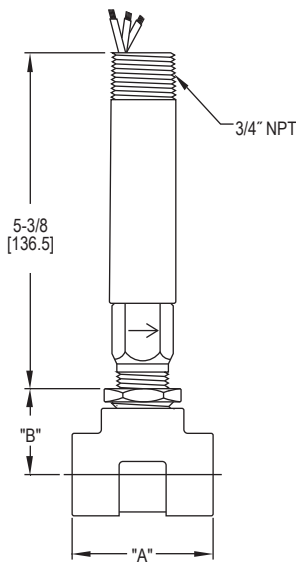


V6 with Field Trimable Vane

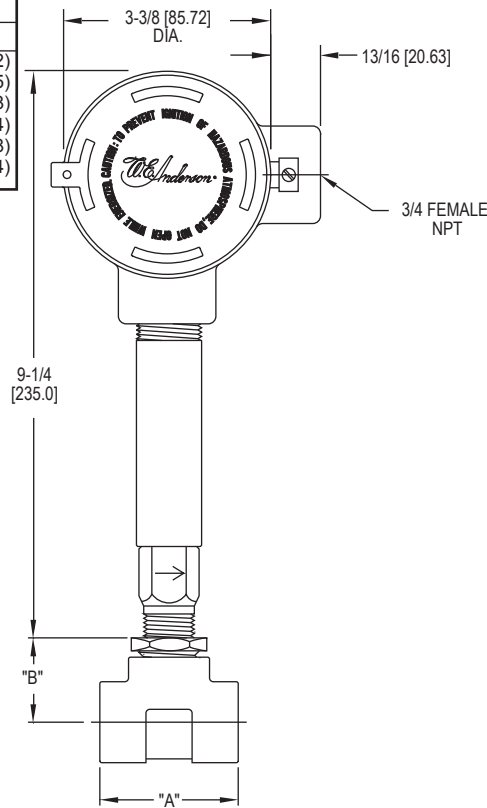


Trimmable Vane

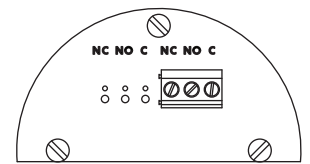
Pipe Size	Brass/Ductile Iron		Forged/Stainless Steel		Malleable Iron	
	Dim. A	Dim. B	Dim. A	Dim. B	Dim. A	Dim. B
1/2"	2-1/4 (57)	1-1/8 (29)	2-1/4 (57)	1-1/8 (29)	2-1/2 (64)	1-1/4 (32)
3/4"	2-3/8 (60)	1-1/4 (32)	2-5/8 (67)	1-7/8 (47)	2-5/8 (67)	1-3/8 (35)
1"	2-1/2 (64)	1-3/8 (35)	3 (76)	2-1/8 (54)	2-7/8 (73)	1-1/2 (38)
1-1/4"	2-5/8 (67)	1-1/2 (38)	3-1/2 (89)	2-1/2 (64)	3 (76)	1-3/4 (44)
1-1/2"	2-7/8 (73)	1-5/8 (41)	4 (102)	2-3/4 (70)	3-1/4 (83)	1-7/8 (48)
2"	3 (76)	1-7/8 (48)	4-3/4 (121)	3-1/8 (79)	3-1/2 (89)	2-1/8 (54)



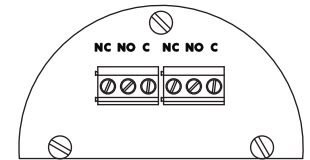
V6 with Tee



V6 with Tee and CSA, IECEx, ATEX Conduit Enclosure



SPDT



DPDT

**Terminal Connections
 CSA, IECEx, ATEX Enclosures**



Flussostat FLOTECT® Série V6

Spécifications - Installation et mode d'emploi



Le flussostat FLOTECT® série V6 est un flussostat antidéflagration économique qui s'utilise avec l'air, l'eau ou autres gaz et liquides compatibles. Trois configurations sont disponibles - 1. en té installé en usine. 2. avec une palette éboutable pour le réglage du champ et installation dans un té adapté. 3. modèles faible débit avec un té intégré et valve réglable. Tous les modèles sont disponibles avec un boîtier optionnel listé dans les normes UL et CSA ou conforme à la Directive 2014/34/EU (ATEX) pour CE 2813 II 2 G Ex db IIC T6 Gb Temp. de fonctionnement $\leq 75^{\circ}\text{C}$ ou conforme à la norme IECEx pour Ex db IIC T6 Gb Temp. de fonctionnement $\leq 75^{\circ}\text{C}$.

INSTALLATION

Déballer et retirer tout emballage se trouvant à l'intérieur du corps inférieur ou du té.

Le flussostat peut être installé dans n'importe quelle position mais les débits d'activation/désactivation indiqués sur les tableaux sont basés sur une position horizontale du tuyau et sont des valeurs nominales. Pour une installation plus précise, les unités peuvent être calibrées en usine à des débits spécifiques.

Les modèles V6 avec té sont fournis en 1/2" - 2" NPT. Installer dans le tuyau avec la flèche pointant dans la direction du débit.

Les modèles V6 faible débit sont équipés de raccords 1/2" NPT et leur champ est réglable. Installer dans le tuyaux avec la flèche pointant dans la direction du débit. Pour régler, dévisser les quatre vis à tête cylindrique situées en bas. Les valves de réglage tournent à 90° entre « O » (ouvert) et « F » (fermé). Voir les tableaux de débit pour les plages approximatives. Resserrer les vis une fois que le débit désiré a été réglé.

V6 avec palette graduée éboutable. Ces modèles permettent à l'installateur de choisir les points d'activation/désactivation en coupant la palette au niveau voulu, marqué d'une lettre sur un gabarit amovible. Les débits sont définis dans les tableaux suivants. Les données des tableaux sont basées soit sur des té réducteurs en laiton ou en acier inox, soit sur des té droits en acier inox ou forgé, avec bagues quand nécessaire. Installer dans le tuyaux avec la flèche pointant dans la direction du débit.

Quand l'emploi de bagues est nécessaire, il faut qu'elles soient percées afin de permettre le passage sans accrochage de la palette. Aléser jusqu'à obtenir un diamètre intérieur de 20 mm pour les bagues de 1/2" x 3/4" ou un diamètre interne de 25 mm pour les bagues plus grandes. L'épaisseur de l'alésage doit laisser un filetage interne de 14 mm de hauteur afin de permettre le passage entre l'emplacement inférieur du dispositif et la bague. Vérifier que la palette passe sans accrochage et que le flussostat fonctionne correctement après installation.

SPÉCIFICATIONS

Utilisation : Gaz ou liquides compatibles avec les matériaux mouillés.

Matériaux mouillés : modèles V6 standards : palette : inox 301, corps inférieur : laiton ou inox 303, aimant : céramique, autres : inox 301, 302, té : laiton, fer, acier forgé ou inox 304. Modèles V6 faible débit : partie inférieure : laiton ou inox 303 ; té : laiton ou inox 304 ; aimant : laiton ou inox 303 ; aimant : céramique ; joint torique : buna-N standard, fluorélastomère optionnel ; autres : acier inox 301, 302.

Températures limites : de -20 à 105° C (-4 à 220° F) en standard, Option MT haute température à 205° C (400° F) (MT non homologuée UL, CSA, ATEX, IECEx ou KC) AT conforme à la directive ATEX et options IECEx de la CEI et KC (option KC), température ambiante de -20 à 75° C (-4 à 167° F), température de fonctionnement : de -20 à 105° C (-4 à 220° F).

Pression limite : Modèles avec corps inférieur en laiton sans té 1000 psig (69 bar), modèles avec corps inférieur en acier inox 303 sans té 2000 psig (138 bar), modèles avec té en laiton 250 psi (17.2 bar), modèles avec té en fer 1000 psi (69 bar), modèles avec té en acier forgé et inoxydable 2000 psi (138 bar), modèles à faible débit 1450 psi (100 bar).

Indice de protection : étanche et antidéflagrant. Normes UL et CSA : classe I, groupes A, B, C et D ; classe II, groupes E, F et G (groupe A pour les modèles avec corps en acier inoxydable uniquement).

CE 2813 II 2 G Ex db IIC T6 Gb Température de fonctionnement $\leq 75^{\circ}\text{C}$ température intermédiaire classe T5 Temp. de fonctionnement $\leq 90^{\circ}\text{C}$, 115° C (T4) Temp. de fonctionnement $\leq 105^{\circ}\text{C}$ consulter l'usine. Certificat CE n° : KEMA 04ATEX2128.

Normes ATEX : EN60079-0:2012 +A11: 2013; EN60079-1: 2014.

Certifié IECEx : pour Ex db IIC T6 Gb Température de fonctionnement $\leq 75^{\circ}\text{C}$ température intermédiaire classe T5 Temp. de fonctionnement $\leq 90^{\circ}\text{C}$, 115° C (T4) Temp. de fonctionnement $\leq 105^{\circ}\text{C}$ consulter l'usine.

Certificat de conformité IECEx : IECEx DEK 11.0039 ; Normes IECEx : IEC 60079-0: 2011 ; IEC 60079-1: 2014 ; Certification coréenne (KC) pour : Ex d IIC T6 Gb Température de fonctionnement $\leq 75^{\circ}\text{C}$ (167° F) ; Numéro de certificat KTL : 12-KB4BO-0091.

Type d'interrupteur électrique : interrupteur à action rapide SPDT en standard, interrupteur à action rapide en option.

Caractéristiques électriques : modèles UL : 5A @ 125/250 Vca. Modèles CSA, ATEX et IECEx : 5A @ 125/250 Vca (V~); 5A résistif, 3A inductif. @ 30 VDC (V=). Option MV : .1A @ 125 Vca (V~). Option MT : 5A @ 125/250 Vca (V~). (Option MT non homologuée UL, CSA, ATEX ou IECEx).

Raccordements électriques : modèles UL : 1 mm², 460 mm. Modèles CSA, ATEX et IECEx : bornier.

Partie supérieure : Laiton ou acier inox 303.

Conduit Connections : mâle NPT 3/4" standard, femelle NPT 3/4" sur les modèles boîtier de jonction ou M25 x 1,5 avec BSPT en option.

Type de raccord : mâle NPT 1/2" sur modèles sans té.

Orientation de montage : Le flussostat peut être installé dans n'importe quelle position mais les débits d'activation/désactivation indiqués sur les tableaux sont basés sur une position horizontale du tuyau et sont des valeurs nominales.

Réglage de l'index de consigne : Aucun pour les modèles V6 standard. Sauf pour les modèles avec té, la palette peut être éboutée. Le champ des modèles à faible débit peut être réglé à l'intérieur de la plage indiquée. Voir tableaux de l'index de consigne sur la page ci-contre.

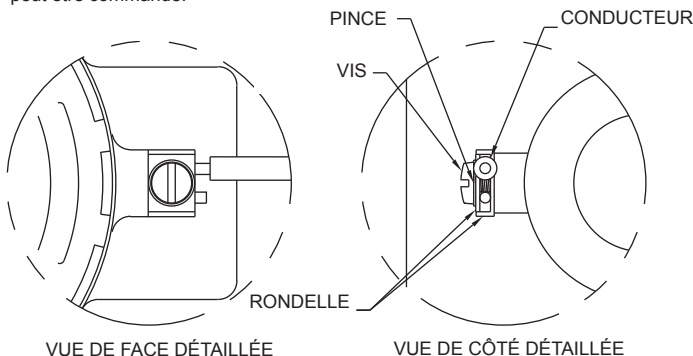
Poids : de 9 à 2.7 kg selon le type de fabrication.

Options non indiquées : calibration personnalisée, bagues, té en PVC, palette renforcée, relais DPDT.

RACCORDEMENTS ÉLECTRIQUES

Connecter les câbles électriques en suivant les codes électriques locaux et activer l'action requise. Les contacts N.O ferment et les contacts N.F. s'ouvrent quand le débit augmente jusqu'à son point d'intervention. Ils retournent à un statut « normale » quand le débit baisse jusqu'au point de désactivation. Noir = commun, Bleu = normalement ouvert et Rouge = normalement fermé.

Pour les unités fournies avec, à la fois, des bornes de terre internes et des bornes de raccordement externes, la vis de terre, située dans le boîtier, doit être utilisée pour relier le contrôle à la terre. La borne à vis externe permet un raccordement supplémentaire quand cela est possible ou quand cela est exigé par le code local. Quand un conducteur d'équipotentialité est requis, le conducteur doit être enroulé à 180° autour de la borne à vis externe. Voir ci-dessous. Quelques uns des modèles homologués par le CSA sont fournis avec un câble de terre séparé. Ces unités doivent être équipées d'un boîtier de jonction, qui n'est pas fourni mais peut être commandé.



Instructions d'installation conformes aux exigences du certificat type CE, IECEx et KC:

Branchement des câbles

Le dispositif d'entrée du câble doit être équipé d'un boîtier de protection certifié type « d » en ce qui concerne la protection contre les explosions et les flammes. Il doit être adapté aux conditions d'utilisation et installé correctement. Utiliser un câble et un passe-câbles de cote $\geq 90^{\circ}\text{C}$ pour une $T_a \geq 65^{\circ}\text{C}$.

Raccord des conduits

Un dispositif de scellement certifié Ex d, comme par exemple un joint avec composé durcissable, doit immédiatement être posé à l'entrée de l'emplacement de la palette. Pour une $T_a \geq 65^{\circ}\text{C}$, à l'intérieur du dispositif de scellement, utiliser un câblage et un composé durcissable de cote $\geq 90^{\circ}\text{C}$.

Remarque : unités ATEX, IECEx et KC uniquement: la classe de température est déterminée par la température maximale ambiante ou par la température de fonctionnement. Les unités sont conçues pour être utilisées à des températures ambiantes correspondant à $-20^{\circ}\text{C} \leq T_{amb} \leq 75^{\circ}\text{C}$. Les unités peuvent être utilisées à des températures de fonctionnement allant jusqu'à 105°C à condition que la température du corps du boîtier et du flussostat ne dépasse pas 75°C . La classe de température standard est la T6 Temp. de fonctionnement $\leq 75^{\circ}\text{C}$. Les classes intermédiaires de température T5 Temp. de fonctionnement $\leq 90^{\circ}\text{C}$ et 115°C (T4) Temp. de fonctionnement $\leq 105^{\circ}\text{C}$ sont disponibles, consulter l'usine. Se référer au n° de certificat : IECEx DEK 11.0039 pour les conditions de sécurité concernant les unités conformes aux exigences IECEx.

Tous les câbles, conduites et boîtiers doivent être conformes aux codes en vigueur en matière de zones dangereuses. Les conduites et les boîtiers doivent être correctement scellés. Pour les installations en extérieur ou emplacements où les températures varient largement, des précautions doivent être prises afin d'éviter la condensation à l'intérieur du flussostat ou du boîtier. Les composants électriques doivent être maintenus secs en toute circonstance.

AVERTISSEMENT : Pour éviter toute ignition en atmosphère dangereuse, débrancher le dispositif de l'alimentation électrique avant de l'ouvrir. Maintenir l'assemblage bien fermé lors de l'utilisation.

ENTRETIEN

Vérifier et nettoyer les parties mouillées à intervalles réguliers. Le couvercle doit être maintenu en place afin de protéger les composants internes de la saleté, de la poussière et des intempéries mais aussi pour maintenir les caractéristiques relatives aux emplacements dangereux. Pour éviter toute ignition en atmosphère dangereuse, débrancher le dispositif de l'alimentation électrique avant de l'ouvrir. Les réparations doivent être réalisées par Dwyer Instruments, Inc. Les unités qui ont besoin d'être réparées doivent être renvoyées aux ateliers de l'usine.

Exemple	V6	EP	BB	D	1	B	AT	Série V6EPB-B-D-1-B-AT Flotect® Mini-Taille Flussostat, corps en laiton, DPDT, té en laiton avec raccord 1/2" NPT, avec approuvée par ATEX.
Série	V6							Flotect® Mini-Taille Flussostat
Fabrication		EP						Antidéflagration
Matériau du corps			BB					Laiton
Type Circuit (interrupteur)			SS					Acier inox
Taille de connexion de té				D				DPDT
				S				SPDT
					1			1/2" NPT
					2			3/4" NPT
					3			1" NPT
					4			1-1/4" NPT
					5			1-1/2" NPT
					6			2" NPT
					LF			Faible débit avec 1/2" NPT entrée et sortie
					1E			1/2" BSPT ++
					2E			3/4" BSPT ++
					3E			1" BSPT ++
					4E			1-1/4" BSPT ++
					5E			1-1/2" BSPT ++
					6E			2" BSPT ++
					LFE			Faible débit avec 1/2" BSPT entrée et sortie ++
Type de Té et Matériel						B		Laiton
						S		Acier inox
						O		Sans Té avec palette graduée ébutable
Options							18	Ressort 0,46mm pour faible débit
							20	Ressort 0,51mm pour faible débit
							22	Ressort 0,56mm pour faible débit
							022A	Ressort 0,56mm pour faible débit avec aimant Alnico
							31	Ressort 0,79mm pour faible débit
							AT	Approuvée par ATEX
							BUSH2	1/2" NPT x 3/4" NPT Bague
							BUSH3	1/2" NPT x 1" NPT Bague
							BUSH4	1/2" NPT x 1-1/4" NPT Bague
							BUSH5	1/2" NPT x 1-1/2" NPT Bague
							BUSH6	1/2" NPT x 2" NPT Bague
							BUSH7	1/2" BSPT x 3/4" BSPT Bague, M25 X 1.5 raccord conduit ++
							BUSH8	1/2" BSPT x 1" BSPT Bague, M25 X 1.5 raccord conduit ++
							BUSH9	1/2" BSPT x 1-1/4" BSPT Bague, M25 X 1.5 raccord conduit ++
							BUSH10	1/2" BSPT x 1-1/2" BSPT Bague, M25 X 1.5 raccord conduit ++
							BUSH11	1/2" BSPT x 2" BSPT Bague, M25 X 1.5 raccord conduit ++
							CSA	Approuvée par CSA*
							CV	Palette personnalisée
							FTR	Rapport de test de débit
							GL	Câble de mise à la terre*
							ID	Information client sur plaque standard
							IEC	Approuvée par IECEx
							JCTLH	Boîtier de jonction avec côté gauche conduit
							KC	Certification Coréenne
							MT	Haute Température*
							MV	Contacts en or
							NN	Sans Information client sur plaque standard*
							ORFB	Orifice en laiton
							ORFS	Orifice en acier inox
							PT	étiquette en papier
							RV	Palette renforcée
							ST	étiquette en acier inox
							TBC	Connecteur bloc à bornes*
							VIT	Joints en élastomère fluoré

Attention : Les unités qui ne comportent pas le marquage « AT » ne satisfont pas aux exigences de la Directive 2014/34/EU (ATEX). Ces unités ne sont pas conçues pour une utilisation en atmosphères potentiellement dangereuses au sein de l'Union Européenne. Ces unités peuvent être estampillées CE pour d'autres Directives de l'Union Européenne.

*Options que ne sont pas homologuées ATEX et IECEx. ++ BSPT options ne sont pas compatibles avec KC option

V6 avec té

Eau froide - té installé en usine

Débits approximatifs d'Activation/désactivation

GPM en haut, M³/HR en bas

1/2" NPT	3/4" NPT	1" NPT	1-1/4" NPT	1-1/2" NPT	2" NPT
1,5 1,0	2,0 1,25	3,0 1,75	4,0 3,0	6,0 5,0	10,0 8,5
0,34 0,23	0,45 0,28	0,68 0,40	0,91 0,68	1,36 1,14	2,27 1,93

Air-Té installé en usine

Débits approximatifs d'Activation/désactivation

SCFM en haut, NM³/M en bas

1/2" NPT	3/4" NPT	1" NPT	1-1/4" NPT	1-1/2" NPT	2" NPT
6,5 5,0	10,0 8,0	14 12	21 18	33 30	43 36
0,18 0,14	0,28 0,23	0,40 0,34	0,59 0,51	0,93 0,85	1,19 1,02

V6 faible débit champ réglable

Eau froide - Modèles faible débit

Débits approximatifs d'Activation/désactivation

GPM en haut, M³/HR en bas

Minimum	Maximum
0,04 0,03	0,75 0,60
0,009 0,007	0,17 0,14

Air - Modèles faible débit

Débits approximatifs d'Activation/désactivation

SCFM en haut, NM³/M en bas

Minimum	Maximum
0,18 0,15	2,70 2,0
0,005 0,004	0,08 0,06

V6 avec palette graduée ébutable
Eau froide - Té réducteur en laiton ou en fonte
Débits approximatifs d'Activation/désactivation
GPM en haut, M³/HR en bas

Air - Té réducteur en laiton ou en fonte
Débits approximatifs d'Activation/désactivation
SCFM en haut, NM³/M en bas

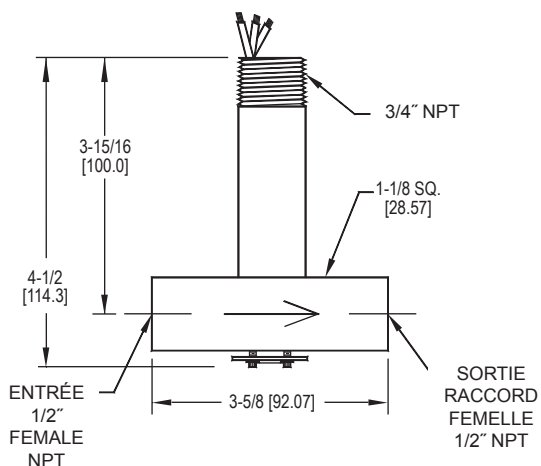
palette	1/2" NPT	3/4" NPT	1"NPT	1-1/4"NPT	1-1/2"NPT	2"NPT	1/2" NPT	3/4" NPT	1"NPT	1-1/4"NPT	1-1/2"NPT	2"NPT
Taille maximale						9,0 8,5 2,0 1,9						39,0 37,0 1,10 1,05
a						9,5 9,0 2,2 2,0						40,0 38,0 1,13 1,08
b						10,0 9,3 2,3 2,1						42,0 40,0 1,19 1,13
c						11,0 10,0 2,5 2,3						50,0 44,0 1,42 1,25
d					6,2 5,5 1,4 1,2	12,0 10,0 2,7 2,3					27,0 25,0 0,76 0,71	55,0 46,0 1,56 1,30
e					7,0 6,5 1,6 1,5	13,0 11,0 3,0 2,5					30,0 28,0 0,85 0,79	
f				4,3 3,9 1,0 0,9	7,6 7,1 1,7 1,6	14,0 12,0 3,2 2,7				20,0 18,0 0,57 0,51	32,0 30,0 0,91 0,85	
g				4,9 4,4 1,1 1,0	8,0 7,3 1,8 1,7					21,0 19,0 0,59 0,54	34,0 32,0 0,96 0,91	
h				5,5 5,0 1,2 1,1	9,0 8,2 2,0 1,9					23,0 21,0 0,65 0,59	37,0 34,0 1,05 0,96	
i			3,5 3,1 0,8 0,7	6,0 5,6 1,4 1,3	10,0 9,0 2,3 2,0			16,0 15,0 0,45 0,42	24,0 22,0 0,68 0,62	39,0 36,0 1,10 1,02		
j			4,0 3,5 0,9 0,8	7,0 6,6 1,6 1,5	13,0 11,0 3,0 2,5			18,0 16,0 0,51 0,45	28,0 25,0 0,79 0,71	51,0 45,0 1,44 1,27		
k			4,6 4,2 1,04 0,95	8,0 7,6 1,8 1,7	15,0 13,0 3,4 3,0			19,0 17,0 0,54 0,48	33,0 30,0 0,93 0,85	69,0 57,0 1,95 1,61		
l		2,6 2,3 0,6 0,5	5,6 5,2 1,3 1,2	10,0 9,0 2,3 2,0				13,0 12,0 0,37 0,34	22,0 20,0 0,62 0,57	38,0 35,0 1,08 0,99		
m	1,6 1,3 0,4 0,3	3,5 3,1 0,8 0,7	6,3 6,1 1,43 1,39	12,0 10,0 2,7 2,3			6,4 3,8 0,18 0,11	15,0 14,0 0,42 0,40	25,0 23,0 0,71 0,65	45,0 42,0 1,27 1,19		
n	2,2 1,8 0,5 0,4	4,3 3,8 1,0 0,9	8,0 7,5 1,8 1,7					10,0 7,0 0,28 0,20	20,0 16,0 0,57 0,45	32,0 28,0 0,91 0,79		
o	3,0 2,4 0,7 0,5							12,0 9,0 0,34 0,25				

Eau froide - Té et bague en acier inox ou forgé
Débits approximatifs d'Activation/désactivation
GPM en haut, M³/HR en bas

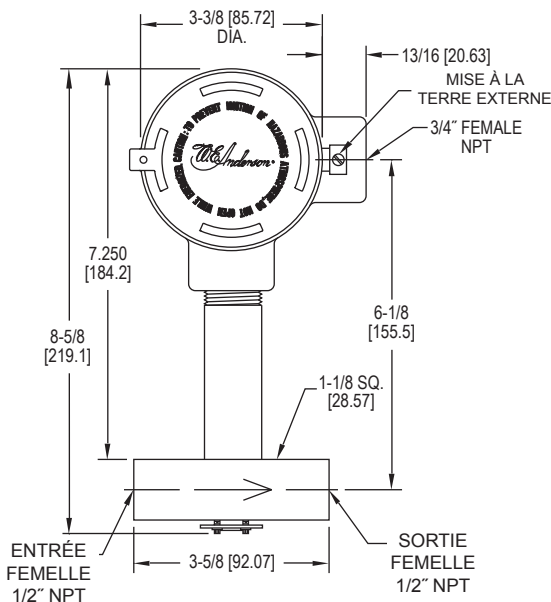
Air - Té et bague en acier inox ou forgé
Débits approximatifs d'Activation/désactivation
SCFM en haut, NM³/M en bas

palette	1/2" NPT	3/4" NPT	1"NPT	1-1/4"NPT	1-1/2"NPT	2"NPT	1/2" NPT	3/4" NPT	1"NPT	1-1/4"NPT	1-1/2"NPT	2"NPT
Taille maximale				5,0 4,5 1,1 1,0	8,5 7,8 1,9 1,8					21,0 18,0 0,59 0,51	33,0 30,0 0,93 0,85	
a				5,5 5,0 1,2 1,1	9,2 8,6 2,1 2,0					22,0 20,0 0,62 0,57	39,0 36,0 1,10 1,02	
b				6,2 5,7 1,4 1,3	9,8 9,0 2,2 2,0					24,0 22,0 0,68 0,62	42,0 38,0 1,19 1,08	
c				6,8 6,3 1,5 1,4	12,0 10,0 2,7 2,3					28,0 26,0 0,79 0,74	51,0 46,0 1,44 1,30	
d			2,8 2,4 0,6 0,5	8,5 7,8 1,9 1,8	13,0 11,0 3,0 2,5			12,0 10,0 0,34 0,28	10,0 9,0 0,93 0,85	33,0 30,0 0,93 0,85	55,0 50,0 1,56 1,42	
e			3,4 3,0 0,8 0,7	10,0 9,2 2,3 2,1				14,0 12,0 0,40 0,34	12,0 11,0 1,05 0,96	37,0 34,0 1,05 0,96		
f			4,0 3,6 0,91 0,82	12,0 10,0 2,7 2,3				16,0 14,0 0,45 0,40	14,0 13,0 1,22 1,13	43,0 40,0 1,22 1,13		
g		2,0 1,5 0,5 0,3	5,0 4,5 1,1 1,0					8,0 6,5 0,23 0,18	19,0 17,0 0,54 0,48			
h		2,5 2,0 0,6 0,5	6,5 6,1 1,48 1,39					11,0 10,0 0,31 0,28	26,0 24,0 0,74 0,68			
i		3,5 3,0 0,8 0,7	9,0 8,2 2,0 1,9					14,0 13,0 0,40 0,37	32,0 30,0 0,91 0,85			
j		7,0 5,5 1,6 1,2						27,0 24,0 0,76 0,68				
k		10,0 8,0 2,3 1,8						39,0 36,0 1,10 1,02				

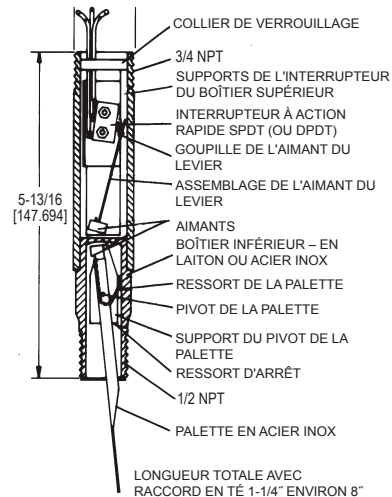
DIMENSIONS
Flussostat FLOTECT® Série V6



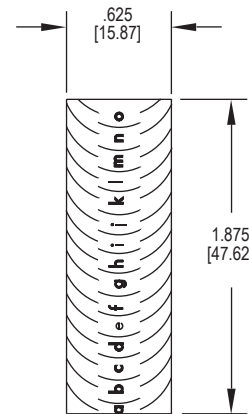
V6 faible débit



V6 faible débit avec boîtier CSA, IECEx, ATEX

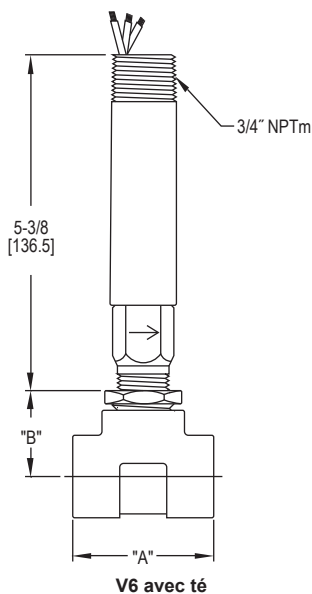


V6 avec Palette graduée éboutable

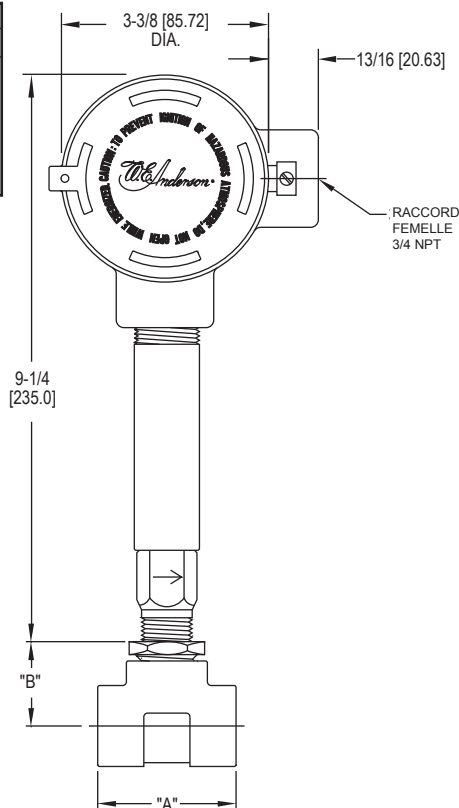


palette graduée éboutable

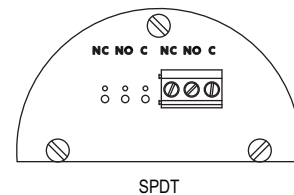
Taille tuyau	Laiton/fonte ductile		Acier forgé/innox		Fonte malléable	
	Dim. A	Dim. B	Dim. A	Dim. B	Dim. A	Dim. B
1/2"	2-1/4 (57)	1-1/8 (29)	2-1/4 (57)	1-1/8 (29)	2-1/2 (64)	1-1/4 (32)
3/4"	2-3/8 (60)	1-1/4 (32)	2-5/8 (67)	1-7/8 (47)	2-5/8 (67)	1-3/8 (35)
1"	2-1/2 (64)	1-3/8 (35)	3 (76)	2-1/8 (54)	2-7/8 (73)	1-1/2 (38)
1-1/4"	2-5/8 (67)	1-1/2 (89)	3-1/2 (38)	2-1/2 (64)	3 (76)	1-3/4 (44)
1-1/2"	2-7/8 (73)	1-5/8 (102)	4 (41)	2-3/4 (70)	3-1/4 (83)	1-7/8 (48)
2"	3 (76)	1-7/8 (121)	4-3/4 (48)	3-1/8 (79)	3-1/2 (89)	2-1/8 (54)



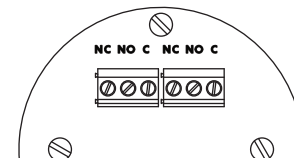
V6 avec té



V6 avec té et boîtier CSA, IECEx, ATEX



SPDT



DPDT

Bornes de raccordement Boîtiers CSA, IECEx, ATEX



Serie V6 FLOTECT® Durchflusswächter

Technische Daten - Installation und Betriebsanleitung



Der Durchflusswächter aus der Serie V6 FLOTECT® ist ein kostengünstiges, explosionsgeschütztes Gerät, das sich zur Überwachung von Luft, Wasser oder anderen kompatiblen Gasen und Flüssigkeiten eignet. Es sind 3 Konfigurationen möglich – 1. werkseingestellt mit einem T-Stück, 2. mit einem verstellbaren Paddel zur Feldjustage und Installation in einem T-Stück, 3. LF-Modelle mit einem integrierten T-Stück und einstellbarem Ventil. Alle Modelle sind verfügbar mit einem optionalen Gehäuse gemäß UL und CSA oder auch nach Richtlinie 2014/34/EU (ATEX) gemäß **CE** 2813 II 2 G, Ex db IIC T6 Gb Prozesstemp. 75 °C, Prozesstemp. ≤75 °C oder IECEx für Ex db IIC T6 Gb Prozesstemp. ≤75 °C.

INSTALLATION

Packen Sie das Gerät aus und entfernen Sie sämtliches Verpackungsmaterial aus dem unteren Gehäuse und dem T-Stück.

Der Durchflusswächter kann in jeder Lage montiert werden, allerdings sind die Ein- und Ausschaltpunkte, die in der Tabelle aufgeführt sind, nur bei horizontalem Einbau gewährleistet. Diese Werte sind nur nominale Werte, bei genaueren Werten wird empfohlen, die Wächter im Werk einstellen zu lassen.

Die TMF-V6 mit T-Stücken haben Anschlussgrößen von 1/2" bis 2" NPT. Installieren Sie das Gerät so, dass der Pfeil in Richtung Durchfluss zeigt.

Die TMF-V6-LF Modelle haben einen 1/2" NPT-Anschluss und sind feldjustierbar. Montieren Sie das Instrument so, dass der Pfeil in Richtung Durchfluss zeigt. Für die Einstellung lösen Sie die 4 Schrauben an der Unterseite. Das Einstellventil kann um 90 ° gedreht werden, zwischen „O“ (offen) und „C“ (geschlossen). Siehe Tabelle für die Bereiche. Befestigen Sie die Schrauben wieder, nachdem Sie den Bereich eingestellt haben.

Die TMF-V6 mit verstellbarem Paddel geben dem Anwender die Möglichkeit die ungefähren Ein- und Ausschaltpunkte zu wählen. Dies geschieht durch das Abnehmen von einzelnen Schichten des Paddels. Der Durchflussbereich wird in der beiliegenden Tabelle angezeigt. Bemerkung: Die Tabellen mit den Werten basieren auf Reduzier-T-Stücken aus Messing oder Eisen, auf geraden T-Stücken aus Edelstahl mit Rohrmuffen. Montieren Sie das Instrument so, dass der Pfeil in Richtung Durchfluss zeigt.

Wenn Sie Rohrmuffen verwenden, müssen diese so gearbeitet sein, dass das Paddel frei schwingen kann. Der Innendurchmesser sollte bei 1/2"x3/4" Muffen ca. 20 mm sein oder 25 mm bei größeren Muffen. Die Tiefe der Muffe muss bei den internen Gewinden ca. 14 mm hoch sein (zwischen dem unteren Gehäuse und der Muffe). Nach der Installation prüfen Sie, ob das Paddel ordnungsgemäß schwingen kann.

TECHNISCHE DATEN

Medium: Gase und Flüssigkeiten, kompatibel mit den medienberührenden Teilen.
Medienberührende Teile: Standard TMF-V6: Paddel: Edelstahl 301; unteres Gehäuse: Messing oder Edelstahl 303; Magnet: Keramik; andere: Edelstahl 301, 302; T-Stück: Messing, Eisen, Stahl oder Edelstahl 304 Modell TMF-V6-LF: unteres Gehäuse: Messing oder Edelstahl 303, T-Stück: Messing oder Edelstahl 304, Magnet: Keramik; O-Ring: Buna-N-Standard, Option Fluoroelastomer; andere: Edelstahl 301, 302.

Temperaturbereich: -20 bis 105 °C (-4 bis 220 °F) Standard, MT-Version bis 205 °C (400 °F) (MT-Version nicht möglich mit ex-geschützter Ausführung gemäß UL, CSA, ATEX, IECEx oder KC) ATEX-Ausführung AT-, IECEx-IEC-Option und KC (KC-Option), Umgebungstemperatur -20 bis 75 °C (-4 bis 167 °F) Prozesstemperatur: -20 bis 105 °C (-4 bis 220 °F).

Druckbereich: Messinggehäuse unten (bei Modellen ohne Teestück) 1000 psig (69 bar), unteres Gehäuse Edelstahl 303 (bei Modellen ohne Teestück) 2000 psig (138 bar). Messingmodelle mit T-Stück 250 psig (17,2 bar), Eisenmodelle mit T-Stück 1000 psig (69 bar), Modelle aus Schmiede- oder Edelstahl mit T-Stück 2000 psig (138 bar), LF-Modelle 1450 psig (100 bar).

Gehäuse: Wettergeschützt und explosionsgeschützt. Zulassung gemäß UL und CSA für Klasse I, Gruppe A, B, C und D; Klasse II, Gruppe E, F, und G. (Gruppe A nur bei Modellen mit Edelstahlgehäuse).

CE 2813 II 2 G Ex db IIC T6 Gb Prozesstemp. ≤75 °C Wechseltemperatur Klasse T5 Prozesstemp. ≤90 °C, 115 °C (T4) Prozesstemp. ≤105 °C mit Produktionsabteilung beraten. EU-Zertifikat Nr.: KEMA 04ATEX2128.

ATEX-Standards: EN60079-0:2012 +A11: 2013; EN60079-1: 2014.

IECEx-Zulassung: Bei Ex db IIC T6 Gb Prozesstemp. ≤75 °C Wechseltemperatur Klasse T5 Prozesstemp. ≤90 °C, 115 °C (T4) Prozesstemp. ≤105 °C mit Produktionsabteilung beraten.

IECEx-Konformitätszertifikat: IECEx DEK 11.0039; IECEx-Standards: IEC 60079-0: 2011; IEC 60079-1: 2014; Koreanische Zertifizierung (KC) für: Ex d IIC T6 Gb Prozesstemp. ≤75 °C (167 °F); KTL-Zertifikatsnummer: 12-KB4BO-0091.

Mikroschalter: SPDT Standard, DPDT optional.

Schalteleistung: UL-Modelle: 5A @ 125/250 VAC. CSA-, ATEX- und IECEx-Modelle: 5A @ 125/250 VAC (V~); 5A res., 3A ind. @ 30 VDC (V-). MV-Option: .1A @ 125 VAC (~). MT-Option: 5A @ 125/250 VAC (V~). [MT-Option nicht möglich bei UL, CSA, ATEX und IECEx].

Elektrische Anschlüsse: UL-Modelle: 18 AWG, 18" (460 mm) lang. ATEX-, CSA- und IECEx-Modelle: Klemmleiste.

Oberes Gehäuse: Messing oder 303 Edelstahl.

Kableingang: 3/4" NPTM Standard, 3/4" NPTF bei Modellen mit Schutzbox oder M25 x 1,5 mit -BSPT-Option.

Prozessanschluss: 1/2" NPTM bei Modellen ohne T-Stück.

Montagerichtung: in jeder Richtung, Ein- und Ausschaltpunkte, die in der Tabelle aufgeführt sind, nur bei horizontalem Einbau gewährleistet.

Schaltpunkteinstellung: Standard V6 nicht möglich, nur mit einstellbarem Paddel oder bei LF-Modellen (im angezeigten Bereich). Siehe Tabelle auf der nächsten Seite.

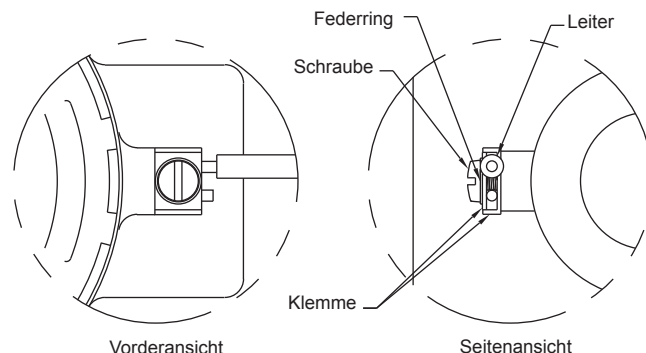
Gewicht: 0,9 bis 2,7 kg, je nach Bauweise

Nicht angezeigte Optionen: individuelle Kalibrierung, Rohrmuffen, PVC-T-Stück, verstärktes Paddel, DPDT-Relais

ELEKTRISCHE ANSCHLÜSSE

Verbinden Sie die Kabel entsprechend den örtlichen Regularien. Der Kontakt N.O. ist stromlos offen und der Kontakt N.C. ist stromlos geschlossen. Die Schalterpunkte kehren zum normalen Betrieb zurück, wenn der Durchfluss auf den Deaktivierungspunkt sinkt. Schließen Sie die Kabel wie folgt an: schwarz = gemeinsamer Pol blau = stromlos offen rot = stromlos geschlossen.

Bei Instrumenten mit interner Erdungsschraube und externer Verbindungsschraube muss die innere Schraube zur Erdung des Signales verwendet werden. Die externe Verbindungsschraube dient zur zusätzlichen Erdung, falls von örtlichen Regularien erlaubt oder erfordert. Ist ein externer Verbindungsleiter erforderlich, muss der Leiter mindestens 180 ° um die externe Verbindungsschraube gewickelt sein. Siehe unten. Einige CSA-Modelle werden mit einem separaten grünen Erdungskabel geliefert. Solche Modelle müssen mit einer Schutzbox ausgestattet werden, die nicht automatisch mitgeliefert wird, aber auf Sonderbestellung verfügbar ist.



EU-Zertifizierung, IECEx- und KC-Installationsanweisungen:

Kabelanschluss:

Das Gerät ist zugelassen in der Explosionsschutzklasse „d“ und einsetzbar in diesen Umgebungsbedingungen, wenn es korrekt installiert ist. Bei Ta ≥ 65 °C sind Kabel und Kabelverschraubungen für ≥ 90 °C zu verwenden.

Gehäuseverschraubung

Bei einem Ex d-zertifizierten Gerät muss unmittelbarer Zugriff auf das Innere des Gehäuses gewährleistet sein. Bei Ta ≥ 65 °C muss das Kabelmaterial in der Durchgangsdichtung mindestens bis 90 °C geeignet sein.

Hinweis: nur für ATEX-, IECEx- und KC-Geräte: Die Temperaturklasse wird entweder durch die max. Umgebungstemperatur oder durch die Prozesstemperatur bestimmt. Die Geräte sind für eine Umgebungstemperatur von -20 °C ≤ Tamb ≤ 75 °C bestimmt. Die Instrumente können bis zu einer Prozesstemperatur von 105 °C eingesetzt werden, vorausgesetzt das Gehäuse und der Schaltkörper erreichen keine Temperaturen über 75°C. Die Standardtemperaturklasse T6 ist bei einer Prozesstemperatur von ≤ 75°C. Alternative Temperaturklasse T5 Prozesstemp. ≤ 90 °C und 115 °C (T4) Prozesstemp. ≤105 °C verfügbar, Anfrage beim Werk. Informationen zum sicheren Umgang mit IECEx-Geräten finden Sie im Zertifikat Nr.: IECEx DEK 11.0039.

Alle Verdrahtungen und Gehäuse müssen den entsprechenden Regularien für explosionsgefährdete Umgebungen entsprechen. Die Gehäuse müssen ordnungsgemäß abgedichtet werden. Bei Außenanwendungen oder anderen Anwendungen, bei denen die Temperaturen stark schwanken, müssen Vorkehrungen zur Vermeidung von Kondensation innerhalb des Gehäuses getroffen werden. Alle elektrischen Komponenten sind vor Feuchtigkeit zu schützen.

ACHTUNG: Zur Vermeidung von Bränden in explosionsgefährdeten Umgebungen unterbrechen Sie die Spannungsversorgung, bevor Sie den Durchflusswächter öffnen. Halten Sie das Gerät beim Arbeiten immer geschlossen.

WARTUNG

Reinigen und kontrollieren Sie die medienberührenden Teile in regelmäßigen Abständen. Die Abdeckung muss immer verschlossen sein, um die internen Teile vor Schmutz, Staub und Witterungseinflüssen zu schützen. Lösen Sie immer die Spannungsversorgung, bevor Sie den Schalter öffnen, um Arbeiten an der Elektrik vorzunehmen. Reparaturen sind von Dwyer Instruments, Inc. vorzunehmen. Senden Sie reparaturbedürftige Teile mit Vorauszahlung an den Betrieb.

Beispiel	V6	EP	BB	D	1	B	AT	Serie V6EPB-B-D-1-B-AT Flotect® Mini-Größe Durchflusswächter, Messing Gehäuse, DPDT, Messing T-Stück mit 1/2" NPT-Anschluss, mit ATEX Genehmigung.
Serie	V6							Flotect® Mini-Größe Durchflusswächter
Konstruktion		EP						Explosionsschutz
Gehäuse			BB					Messing Edelstahl
Schaltertyp				D				DPDT SPDT
T-Stück Anschluss Größe					1			1/2" NPT
					2			3/4" NPT
					3			1" NPT
					4			1-1/4" NPT
					5			1-1/2" NPT
					6			2" NPT
					LF			LF mit 1/2" NPT-Anschlüsse
					1E			1/2" BSPT ++
					2E			3/4" BSPT ++
					3E			1" BSPT ++
					4E			1-1/4" BSPT ++
					5E			1-1/2" BSPT ++
					6E			2" BSPT ++
					LFE			LF mit 1/2" BSPT Anschlüsse ++
T-Stück Typ und Material						B S O		Messing Edelstahl Kein T-Stück mit Paddel einstellbar
Optionen								18 20 22 022A 31 AT BUSH2 BUSH3 BUSH4 BUSH5 BUSH6 BUSH7 BUSH8 BUSH9 BUSH10 BUSH11 CSA CV FTR GL ID IEC JCTLH KC MT MV NN ORFB ORFS PT RV ST TBC VIT

Achtung: Geräte ohne AT-Suffix sind nicht nach 2014/34/EU zertifiziert. Diese Geräte sind für den Einsatz in explosionsgefährdeten Räumen nicht geeignet. Sie sind nur nach CE getestet.

*Optionen ohne ATEX und IECEx ++ BSPT Optionen sind nicht kompatibel mit KC Optionen

V6 mit T-Stück

Kaltes Wasser - werkseitiges T-Stück

Ungefährer Ein-/Ausschaltzeitpunkt

GPM oben M³/HR unten

1/2" NPT	3/4" NPT	1" NPT	1-1/4" NPT	1-1/2" NPT	2" NPT
1.5 1.0 .34 .23	2.0 1.25 .45 .28	3.0 1.75 .68 .40	4.0 3.0 .91 .68	6.0 5.0 1.36 1.14	10.0 8.5 2.27 1.93

Luft - werkseitiges T-Stück

Ungefährer Ein-/Ausschaltzeitpunkt

SCFM oben, NM³/M unten

1/2" NPT	3/4" NPT	1" NPT	1-1/4" NPT	1-1/2" NPT	2" NPT
6.5 5.0 .18 .14	10.0 8.0 .28 .23	14 12 .40 .34	21 18 .59 .51	33 30 .93 .85	43 36 1.19 1.02

V6 LF, einstellbar

Kaltes Wasser - LF-Modelle

Ungefährer Ein-/Ausschaltzeitpunkt

GPM oben M³/HR unten

Minimum	Maximum
.04 .03 .009 .007	.75 .60 .17 .14

Luft - LF-Modelle

Ungefährer Ein-/Ausschaltzeitpunkt

SCFM oben, NM³/M unten

Minimum	Maximum
.18 .15 .005 .004	2.70 2.0 .08 .06

V6 mit einstellbarem Paddel
 Kaltes Wasser - Messing oder Stahl T-Stueck
 Ungefährer Ein-/Ausschaltpunkt
 GPM oben M³/HR unten

Luft - Messing- oder Stahl-T-Stück
 Ungefährer Ein-/Ausschaltpunkt
 SCFM oben, NM³/M unten

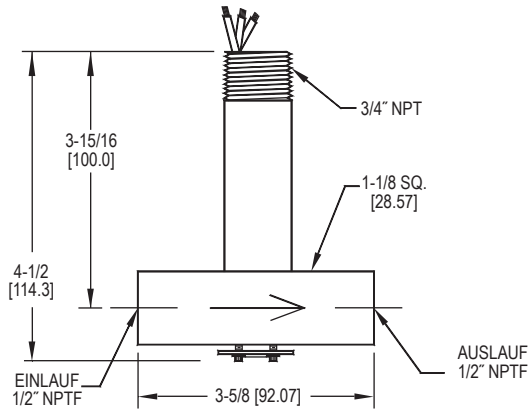
Platte	1/2" NPT	3/4" NPT	1" NPT	1-1/4" NPT	1-1/2" NPT	2" NPT	1/2" NPT	3/4" NPT	1" NPT	1-1/4" NPT	1-1/2" NPT	2" NPT
Volle Größe						9,0 8,5						39,0 37,0
a						2,0 1,9						1,10 1,05
b						9,5 9,0						40,0 38,0
c						2,2 2,0						1,13 1,08
d						10,0 9,3						42,0 40,0
e						2,3 2,1						1,19 1,13
f						11,0 10,0						50,0 44,0
g						2,5 2,3						1,42 1,25
h					6,2 5,5	12,0 10,0					27,0 25,0	55,0 46,0
i					1,4 1,2	2,7 2,3					0,76 0,71	1,56 1,30
j					7,0 6,5	13,0 11,0						30,0 28,0
k					1,6 1,5	3,0 2,5						0,85 0,79
l				4,3 3,9	7,6 7,1	14,0 12,0				20,0 18,0		32,0 30,0
m				1,0 0,9	1,7 1,6	3,2 2,7				0,57 0,51		0,91 0,85
n				4,9 4,4	8,0 7,3					21,0 19,0		34,0 32,0
o				1,1 1,0	1,8 1,7					0,59 0,54		0,96 0,91
p				5,5 5,0	9,0 8,2					23,0 21,0		37,0 34,0
q				1,2 1,1	2,0 1,9					0,65 0,59		1,05 0,96
r			3,5 3,1	6,0 5,6	10,0 9,0			16,0 15,0	24,0 22,0			39,0 36,0
s			0,8 0,7	1,4 1,3	2,3 2,0			0,45 0,42	0,68 0,62			1,10 1,02
t			4,0 3,5	7,0 6,6	13,0 11,0			18,0 16,0	28,0 25,0			51,0 45,0
u			0,9 0,8	1,6 1,5	3,0 2,5			0,51 0,45	0,79 0,71			1,44 1,27
v			4,6 4,2	8,0 7,6	15,0 13,0			19,0 17,0	33,0 30,0			69,0 57,0
w			1,04 0,95	1,8 1,7	3,4 3,0			0,54 0,48	0,93 0,85			1,95 1,61
x		2,6 2,3	5,6 5,2	10,0 9,0				13,0 12,0	22,0 20,0			38,0 35,0
y		0,6 0,5	1,3 1,2	2,3 2,0				0,37 0,34	0,62 0,57			1,08 0,99
z	1,6 1,3	3,5 3,1	6,3 6,1	12,0 10,0			6,4 3,8	15,0 14,0	25,0 23,0	45,0 42,0		
aa	0,4 0,3	0,8 0,7	1,43 1,39	2,7 2,3			0,18 0,11	0,42 0,40	0,71 0,65	1,27 1,19		
ab	2,2 1,8	4,3 3,8	8,0 7,5					10,0 7,0	20,0 16,0	32,0 28,0		
ac	0,5 0,4	1,0 0,9	1,8 1,7					0,28 0,20	0,57 0,45	0,91 0,79		
ad	3,0 2,4							12,0 9,0				
ae	0,7 0,5							0,34 0,25				

Kaltes Wasser - Edelstahl o. Schmiedest. gerades T-Stück und Muffe
 Ungefährer Ein-/Ausschaltpunkt
 GPM oben M³/HR unten

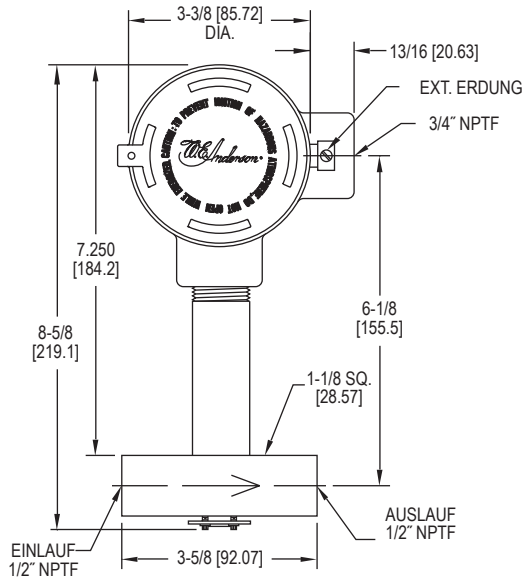
Luft - Edelstahl o. Schmiedest. gerades T-Stück und Muffe
 Ungefährer Ein-/Ausschaltpunkt
 SCFM oben, NM³/M unten

Platte	1/2" NPT	3/4" NPT	1" NPT	1-1/4" NPT	1-1/2" NPT	2" NPT	1/2" NPT	3/4" NPT	1" NPT	1-1/4" NPT	1-1/2" NPT	2" NPT
Volle Größe				5,0 4,5	8,5 7,8					21,0 18,0	33,0 30,0	
a				1,1 1,0	1,9 1,8					0,59 0,51	0,93 0,85	
b				5,5 5,0	9,2 8,6					22,0 20,0	39,0 36,0	
c				1,2 1,1	2,1 2,0					0,62 0,57	1,10 1,02	
d				6,2 5,7	9,8 9,0					24,0 22,0	42,0 38,0	
e				1,4 1,3	2,2 2,0					0,68 0,62	1,19 1,08	
f				6,8 6,3	12,0 10,0					28,0 26,0	51,0 46,0	
g				1,5 1,4	2,7 2,3					0,79 0,74	1,44 1,30	
h			2,8 2,4	8,5 7,8	13,0 11,0			12,0 10,0		33,0 30,0	55,0 50,0	
i			0,6 0,5	1,9 1,8	3,0 2,5			0,34 0,28		0,93 0,85	1,56 1,42	
j			3,4 3,0	10,0 9,2				14,0 12,0		37,0 34,0		
k			0,8 0,7	2,3 2,1				0,40 0,34		1,05 0,96		
l			4,0 3,6	12,0 10,0				16,0 14,0		43,0 40,0		
m			0,91 0,82	2,7 2,3				0,45 0,40		1,22 1,13		
n		2,0 1,5	5,0 4,5					8,0 6,5	19,0 17,0			
o		0,5 0,3	1,1 1,0					0,23 0,18	0,54 0,48			
p		2,5 2,0	6,5 6,1					11,0 10,0	26,0 24,0			
q		0,6 0,5	1,48 1,39					0,31 0,28	0,74 0,68			
r		3,5 3,0	9,0 8,2					14,0 13,0	32,0 30,0			
s		0,8 0,7	2,0 1,9					0,40 0,37	0,91 0,85			
t		7,0 5,5						27,0 24,0				
u		1,6 1,2						0,76 0,68				
v		10,0 8,0						39,0 36,0				
w		2,3 1,8						1,10 1,02				

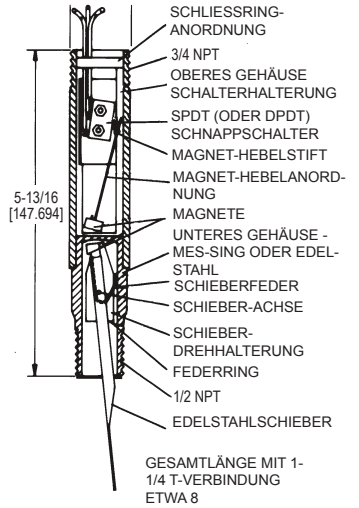
ABMESSUNGEN
Serie V6 FLOTECT® Durchflusswächter



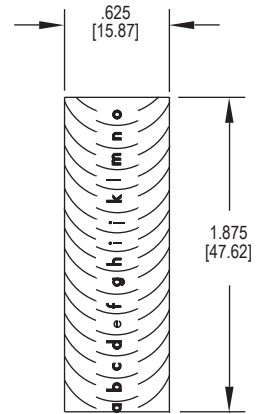
V6 LF



V6 LF mit CSA, IECEx, ATEX Schutzgehäuse

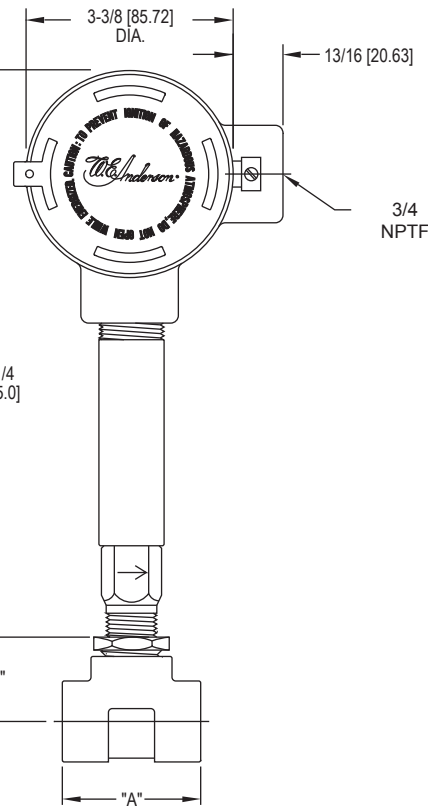


V6 mit einstellbarem Paddel

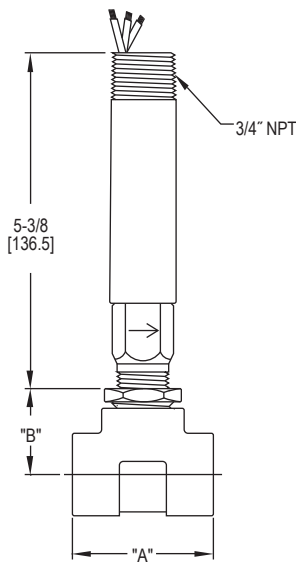


Einstellbares Paddel

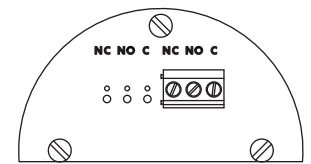
Rohr Größe	Messing/Eisen		Edelstahl/Schmiedest.		Gusseisen	
	Abm. A	Abm. B	Abm. A	Abm. B	Abm. A	Abm. B
1/2"	2-1/4 (57)	1-1/8 (29)	2-1/4 (57)	1-1/8 (29)	2-1/2 (64)	1-1/4 (32)
3/4"	2-3/8 (60)	1-1/4 (32)	2-5/8 (67)	1-7/8 (47)	2-5/8 (67)	1-3/8 (35)
1"	2-1/2 (64)	1-3/8 (35)	3 (76)	2-1/8 (54)	2-7/8 (73)	1-1/2 (38)
1-1/4"	2-5/8 (67)	1-1/2 (89)	3-1/2 (38)	2-1/2 (64)	3 (76)	1-3/4 (44)
1-1/2"	2-7/8 (73)	1-5/8 (102)	4 (41)	2-3/4 (70)	3-1/4 (83)	1-7/8 (48)
2"	3 (76)	1-7/8 (121)	4-3/4 (48)	3-1/8 (79)	3-1/2 (89)	2-1/8 (54)



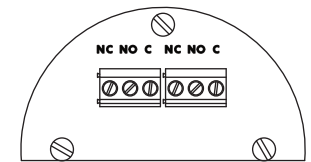
V6 mit T-Stück für CSA-, IECEx, ATEX- Gehäuse



V6 mit T-Stück



SPDT



DPDT

Klemmleisten für CSA-, IECEx, und ATEX-Modelle



Interruptor de caudal FLOTECT® serie V 6

Especificaciones: Instrucciones de instalación y uso



El interruptor de caudal FLOTECT® serie V6 es un interruptor de caudal económico, a prueba de explosiones para uso en aire, agua u otros gases y líquidos compatibles. Hay tres configuraciones disponibles: 1. Con "T" instalada en fábrica. 2. Con paleta recortable para ajuste en campo e instalación en una "T" adecuada. 3. Modelos de bajo caudal con una "T" integral y una válvula ajustable. Todas están disponibles con una caja homologada con UL y CSA o que cumple con la Directiva 2014/34/EU (ATEX) para $\text{CE 2813 Ex II 2 G Ex db IIC T6 Gb}$ Temperatura de proceso $\leq 75^\circ\text{C}$ o que cumple con IECEx para Ex db IIC T6 Gb Temperatura de proceso $\leq 75^\circ\text{C}$.

INSTALACIÓN

Desempaque y quite cualquier material de empaque que se encuentre dentro del alojamiento inferior o en la "T".

El interruptor puede instalarse en cualquier posición, pero los caudales de activación y desactivación en las tablas se basan en tendidos de tubería horizontales y son valores nominales. Para obtener ajustes más precisos, las unidades pueden calibrarse en fábrica para caudales específicos.

Los modelos V6 con "T" se ofrecen en tamaños NPT de 1/2" - 2". Instale en la tubería con la flecha indicadora en la dirección del caudal.

Los modelos V6 de bajo caudal tienen conexiones NPT de 1/2" y son ajustables en campo. Instale en la tubería con la flecha indicadora en la dirección del caudal. Para ajustar, afloje los cuatro tornillos de la base del fondo. La válvula de ajuste gira 90° entre "O" (abierto) y "C" (cerrado). Vea las tablas de caudal para valores aproximados. Apriete los tornillos una vez ajustados los puntos de caudal.

V6 con paleta recortable en campo. Estos modelos permiten al instalador seleccionar los puntos de actuación/desactuación aproximados recortando los tramos de la paleta según las marcas con letras en una plantilla extraíble. Los caudales se definen en las tablas de más abajo. Tenga en cuenta que las tablas están basadas en "Tes" reductoras de latón o hierro fundido, o "Tes" rectas de acero inoxidable o forjado con bujes donde sean necesarios. Instale en la tubería con la flecha indicadora en la dirección del caudal.

Cuando se usen casquillos, se deben taladrar por detrás para permitir una holgura apropiada, a fin de lograr el libre movimiento de la paleta. Deje un diámetro interior de 20 mm en bujes de 1/2" x 3/4" o 25 mm en bujes más grandes. La profundidad del orificio debe dejar roscas internas de 14 mm de altura para lograr una unión adecuada entre el buje y la parte inferior del interruptor. Verifique el movimiento de la paleta y el funcionamiento del interruptor después de la instalación.

ESPECIFICACIONES

Servicio: Gases o líquidos compatibles con los materiales mojados.

Materiales mojados: Modelos V6 estándares: Aleta: acero inoxidable 301; cuerpo inferior: latón o acero inoxidable 303; imán: cerámico; otro: acero inoxidable 301, 302; "T": latón, hierro, acero forjado o acero inoxidable 304; Modelos V6 de bajo caudal: cuerpo inferior: latón o acero inoxidable 303; "T": latón o acero inoxidable 304; imán: cerámico; junta tórica: Buna-N estándar, fluor elastómero opcional; otro: acero inoxidable 301, 302.

Límites de temperatura: -20 a 105°C (-4 a 220°F) estándar, opción de alta temperatura MT 205°C (400°F) (MT no cumple con UL, CSA, ATEX, IECEx o KC), AT conforme a ATEX, IEC conforme a IECEx y KC (opción KC); temperatura ambiente -20 a 75°C (-4 a 167°F); temperatura del proceso: -20 a 105°C (-4 a 220°F).

Límite de presión: Modelos de cuerpo inferior de latón sin "T", 1000 psig (69 bar), modelos de cuerpo inferior de acero inoxidable 303 sin "T", 2000 psig (138 bar). Modelos con "T" de latón, 250 psi (17,2 bar), modelos con "T" de hierro, 1000 psi (69 bar), modelos con "T" de acero forjado o acero inoxidable, 2000 psi (138 bar), modelos de bajo caudal, 1450 psi (100 bar).

Clasificación de gabinete: Resistente a la intemperie y a prueba de explosiones: Homologado por UL y CSA para clase I, grupos A, B, C y D; clase II grupos E, F y G. (Grupo A sólo en modelos con cuerpo de acero inoxidable).

CE 2813 Ex II 2 G Ex db IIC T6 Gb Temperatura de proceso $\leq 75^\circ\text{C}$ Clase de temperatura alternativa T5 Temperatura de proceso $\leq 90^\circ\text{C}$, 115°C (T4) Temperatura de proceso $\leq 105^\circ\text{C}$ consulte a la fábrica. Núm. certificado tipo EU: KEMA 04ATEX2128.

Estándares ATEX: EN60079-0:2012 +A11: 2013; EN60079-1: 2014.

Certificación IECEx: Para Ex db IIC T6 Gb Temperatura de proceso $\leq 75^\circ\text{C}$ Clase de temperatura alternativa T5 Temperatura de proceso $\leq 90^\circ\text{C}$, 115°C (T4) Temperatura de proceso $\leq 105^\circ\text{C}$ consulte a la fábrica.

Certificado de cumplimiento IECEx: IECEx DEK 11.0039; Normas IECEx: IEC 60079-0: 2011; IEC 60079-1: 2014; Certificación coreana (KC): Ex d IIC T6 Gb Temperatura de proceso $\leq 75^\circ\text{C}$ (167°F); Certificado KTL número: 12-KB4BO-0091.

Tipo de interruptor: Interruptor de acción rápida 1P2T estándar, interruptor de acción rápida 2P2T opcional.

Clasificación eléctrica: modelos UL: 5 A @ 125/250 VCA. Modelos CSA, ATEX y IECEx: 5 A @ 125/250 VCA (V~); 5 A resistivo; 3 A inductivo @ 30 VCC (V). Opción MV: 0,1 A @ 125 VCA (V~). Opción MT: 5 A @ 125/250 VCA (V~). [Opción MT: no aprobada por UL, CSA, ATEX o IECEx].

Conexiones eléctricas: modelos UL: 18 AWG, 460 mm de longitud. Modelos ATEX/CSA /IECEX: bloque de terminales.

Cuerpo superior: Latón o acero inoxidable 303.

Conexiones de conducto: NPT macho de 3/4" estándar, NPT hembra de 3/4" en modelos con caja de unión o M25 x 1,5 con opción de - BSPT.

Conexión de proceso: NPT macho de 1/2" en modelos sin "T".

Orientación de montaje: El interruptor puede instalarse en cualquier posición, pero los caudales de activación y desactivación en las tablas se basan en tendidos de tubería horizontales y son valores nominales.

Regulación de punto de ajuste: Modelos V 6 estándar, ninguno. En los modelos sin "T", la aleta es ajustable. Los modelos de bajo caudal pueden ajustarse en campo dentro del rango mostrado. Consulte las tablas de puntos de ajuste en la página opuesta.

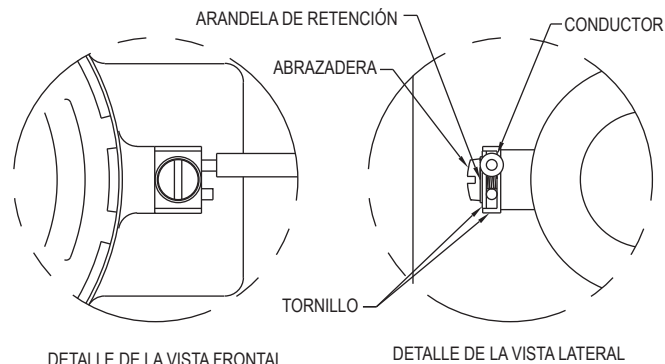
Peso: 0,9 a 2,7 kg dependiendo de la fabricación.

Opciones no mostradas: Calibración especial, bujes, "T" de PVC, aleta reforzada, relés 2P2T.

CONEXIONES ELÉCTRICAS

Conecte los contactos del cable de acuerdo con los códigos eléctricos locales y según la acción requerida del interruptor. Los contactos abiertos se cerrarán y los contactos cerrados se abrirán cuando el caudal aumente hasta el punto de actuación. Regresarán al estado "normal" cuando el caudal disminuya hasta el punto de desactuación. Negro = común, Azul = abierto y Rojo = cerrado.

Para los equipos que se suministren con tomas de tierra interna y externa, el tornillo de tierra del interior del alojamiento debe usarse para conectar el control a tierra. El tornillo de conexión externo es para realizar una conexión adicional cuando sea permitido o requerido por las normas locales. Cuando se requiere el conductor de conexión externo, este debe envolverse un mínimo de 180° alrededor del tornillo de conexión externo. Ver a continuación. Algunos modelos listados en CSA se proporcionan con un cable verde separado de conexión a tierra. Tales unidades deben equiparse con una caja de unión, que no se suministra, pero que se encuentra disponible a pedido.



Instrucciones de instalación del certificado EU-Type, IECEx y KC:

Conexión del cable

El dispositivo de entrada de cable debe tener certificación para caja resistente al fuego con protección contra explosiones tipo "d", adecuada para las condiciones de uso e instalada correctamente. Para temperaturas ambiente $\geq 65^\circ\text{C}$ se deben usar cables y prensas aptos para $\geq 90^\circ\text{C}$.

Conexión de conducto

Se debe usar un dispositivo con certificación Ex d, como por ejemplo, un sello de conducto con un compuesto endurecedor inmediatamente en la entrada del compartimento de la válvula. Para temperaturas ambiente $\geq 65^\circ\text{C}$ se deben usar cables y un compuesto endurecedor, en el sello de conducto, con clasificación hasta $\geq 90^\circ\text{C}$.

Nota: solo para equipos ATEX, IECEx y KC: La clase de temperatura está determinada por la temperatura máxima ambiente o de proceso. Las unidades están hechas para usarse en ambientes de $-20^\circ\text{C} \leq \text{Temp. amb.} \leq 75^\circ\text{C}$. Las unidades pueden usarse en temperaturas de proceso de hasta 105°C siempre que la temperatura de la caja y del cuerpo del interruptor no supere los 75°C . La clase de temperatura estándar es T6, temperatura de proceso $\leq 75^\circ\text{C}$. Se encuentran disponibles la clase de temperatura alternativa T5 Temperatura de proceso de $\leq 90^\circ\text{C}$ y 115°C (T4) Temperatura de proceso de $\leq 105^\circ\text{C}$, consulte a la fábrica.

Consulte el n.º de certificado: IECEx DEK 11.0039 para conocer las condiciones de uso seguro de las unidades que cumplen con IECEx.

Todos los cables, conductores y cajas deben cumplir los códigos vigentes para áreas peligrosas. Los conductores y cajas deben estar adecuadamente sellados. Para exteriores o para otros lugares en los que las temperaturas varíen ampliamente, se deben tomar las precauciones para prevenir condensaciones en el interior del interruptor o de la caja. Los componentes eléctricos se deben mantener secos en todo momento.

PRECAUCIÓN: Para evitar incendios en atmósferas peligrosas, desconecte el dispositivo del circuito de la fuente de alimentación antes de abrirlo. Mantenga el conjunto herméticamente cerrado cuando esté en uso.

MANTENIMIENTO

Inspeccione y limpie las piezas mojadas a intervalos regulares. La tapa debe estar colocada en todo momento, a fin de proteger los componentes internos de la suciedad, el polvo, el clima, y para mantener las clasificaciones para ubicaciones peligrosas. Desconecte el dispositivo del circuito de la fuente de alimentación antes de abrirlo, a fin de evitar incendios en una atmósfera peligrosa. Las reparaciones deben ser realizadas por Dwyer Instruments, Inc. Las unidades para reparación deben enviarse prepagadas a la fábrica.

Ejemplo	V6	EP	BB	D	1	B	AT	Interruptor de caudal mini-tamaño V6EPB-B-D-1-B-AT Flotect® serie, Cuerpo de latón, DPDT, "T" en latón con conexiones NPT de 1/2", con Aprobado ATEX.
Serie	V6							Flotect® Interruptor de caudal mini-tamaño
Fabricación		EP						A Prueba de Explosiones
Cuerpo			BB SS					Latón Acero inoxidable
Tipo de circuito (interruptor)				D S				1P2T 2P2T
tamaño de conexión de "T"					1 2 3 4 5 6 LF 1E 2E 3E 4E 5E 6E LFE			NPT de 1/2" NPT de 3/4" NPT de 1" NPT de 1-1/4" NPT de 1-1/2" NPT de 2" Bajo caudal con entrada y salida NPT de 1/2" BSPT de 1/2" ++ BSPT de 3/4" ++ BSPT de 1" ++ BSPT de 1-1/4" ++ BSPT de 1-1/2" ++ BSPT de 2" ++ Bajo caudal con entrada y salida BSPT de 1/2" ++
Material et Tipo de "T"						B S O		Latón Acero inoxidable Sin "T" con aleta recortable en campo
Opciones							18 20 22 022A 31 AT BUSH2 BUSH3 BUSH4 BUSH5 BUSH6 BUSH7 BUSH8 BUSH9 BUSH10 BUSH11 CSA CV FTR GL ID IEC JCTLH KC MT MV NN ORFB ORFS PT RV ST TBC VIT	Resorte de 0,018 para bajo caudal Resorte de 0,020 para bajo caudal Resorte de 0,022 para bajo caudal Resorte de 0,022 para bajo caudal con imán de Alnico Resorte de 0,031 para bajo caudal Aprobado ATEX 1/2" NPT x 3/4" NPT Cojinete 1/2" NPT x 1" NPT Cojinete 1/2" NPT x 1-1/4" NPT Cojinete 1/2" NPT x 1-1/2" NPT Cojinete 1/2" NPT x 2" NPT Cojinete 1/2" BSPT x 3/4" BSPT Cojinete, M25 X 1.5 Conexión de conducto (Conduit) ++ 1/2" BSPT x 1" BSPT Cojinete, M25 X 1.5 Conexión de conducto (Conduit) ++ 1/2" BSPT x 1-1/4" BSPT Cojinete, M25 X 1.5 Conexión de conducto (Conduit) ++ 1/2" BSPT x 1-1/2" BSPT Cojinete, M25 X 1.5 Conexión de conducto (Conduit) ++ 1/2" BSPT x 2" BSPT Cojinete, M25 X 1.5 Conexión de conducto (Conduit) ++ Aprobado CSA* Aleta Personalizada Informe de prueba de caudal Cable a tierra* Placa estándar con información del cliente Aprobado IECEx Caja de unión con lado izquierdo conducto Certificación coreana(KC)* Alta temperatura* Microcontactos dorados Sin Placa estándar con información del cliente* Orificio de latón Orificio de acero inoxidable Papel etiqueta Aleta reforzada Acero Inoxidable Etiqueta Conector de bloque de terminales* Sellos Fluorelstopmer

*Opciones que no tienen ATEX o IECEx. ++ BSPT opciones no son compatibles con le KC opción

V6 con "T"

Agua fría: "T" instalada en fábrica

Caudales aproximados de actuación/desactuación
Superior en GPM, inferior en M³/HR

NPT de 1/2"	NPT de 3/4"	NPT de 1"	NPT de 1-1/4"	NPT de 1-1/2"	NPT de 2"
1.5 1.0	2.0 1.25	3.0 1.75	4.0 3.0	6.0 5.0	10.0 8.5
0.34 0.23	0.45 0.28	0.68 0.40	0.91 0.68	1.36 1.14	2.27 1.93

Aire: "T" instalada en fábrica

Caudales aproximados de actuación/desactuación
Superior en SCFM, inferior en NM³/M

NPT de 1/2"	NPT de 3/4"	NPT de 1"	NPT de 1-1/4"	NPT de 1-1/2"	NPT de 2"
6.5 5.0	10.0 8.0	14 12	21 18	33 30	43 36
0.18 0.14	0.28 0.23	0.40 0.34	0.59 0.51	0.93 0.85	1.19 1.02

V6 bajo caudal, ajustable en campo

Agua fría: modelos de bajo caudal
Caudales aproximados de actuación/desactuación
Superior en GPM, inferior en M³/HR

Mínimo	Máximo
0.04 0.03	0.75 0.60
0.009 0.007	0.17 0.14

Aire: Modelos de bajo caudal

Caudales aproximados de actuación/desactuación
Superior en SCFM, inferior en NM³/M

Mínimo	Máximo
0.18 0.15	2.70 2.0
0.005 0.004	0.08 0.06

Atención: Las unidades sin el sufijo "AT" no cumplen con la Directiva 2014/34/EU (ATEX). Estas unidades no son aptas para usarse en atmósferas potencialmente peligrosas en la UE. Estas unidades pueden tener la marca CE para otras Directivas de la UE.

V6 con paleta recortable en campo
 Agua fría: "T" reductora de latón o de hierro fundido
 Caudales aproximados de actuación/desactuación
 Superior en GPM, inferior en M³/HR

Aire: "T" reductora de latón o de hierro fundido
 Caudales aproximados de actuación/desactuación
 Superior en SCFM, inferior en NM³/M

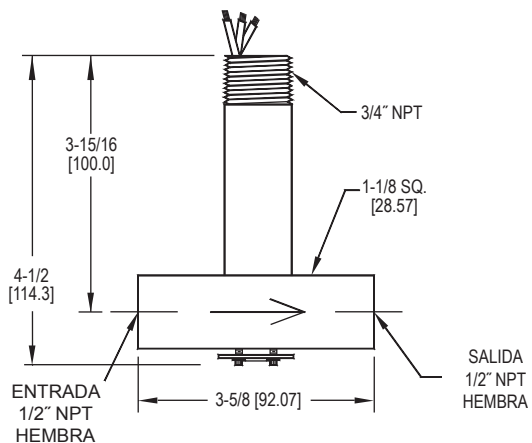
Aleta	1/2" NPT	3/4" NPT	1" NPT	1-1/4" NPT	1-1/2" NPT	2" NPT	1/2" NPT	3/4" NPT	1" NPT	1-1/4" NPT	1-1/2" NPT	2" NPT
Tamaño Completo						9.0 8.5 2.0 1.9						39.0 37.0 1.10 1.05
a						9.5 9.0 2.2 2.0						40.0 38.0 1.13 1.08
b						10.0 9.3 2.3 2.1						42.0 40.0 1.19 1.13
c						11.0 10.0 2.5 2.3						50.0 44.0 1.42 1.25
d					6.2 5.5 1.4 1.2	12.0 10.0 2.7 2.3					27.0 25.0 0.76 0.71	55.0 46.0 1.56 1.30
e					7.0 6.5 1.6 1.5	13.0 11.0 3.0 2.5						30.0 28.0 0.85 0.79
f				4.3 3.9 1.0 0.9	7.6 7.1 1.7 1.6	14.0 12.0 3.2 2.7				20.0 18.0 0.57 0.51	32.0 30.0 0.91 0.85	
g				4.9 4.4 1.1 1.0	8.0 7.3 1.8 1.7					21.0 19.0 0.59 0.54	34.0 32.0 0.96 0.91	
h				5.5 5.0 1.2 1.1	9.0 8.2 2.0 1.9					23.0 21.0 0.65 0.59	37.0 34.0 1.05 0.96	
i			3.5 3.1 0.8 0.7	6.0 5.6 1.4 1.3	10.0 9.0 2.3 2.0			16.0 15.0 0.45 0.42	24.0 22.0 0.68 0.62	39.0 36.0 1.10 1.02		
j			4.0 3.5 0.9 0.8	7.0 6.6 1.6 1.5	13.0 11.0 3.0 2.5			18.0 16.0 0.51 0.45	28.0 25.0 0.79 0.71	51.0 45.0 1.44 1.27		
k			4.6 4.2 1.04 0.95	8.0 7.6 1.8 1.7	15.0 13.0 3.4 3.0			19.0 17.0 0.54 0.48	33.0 30.0 0.93 0.85	69.0 57.0 1.95 1.61		
l		2.6 2.3 0.6 0.5	5.6 5.2 1.3 1.2	10.0 9.0 2.3 2.0				13.0 12.0 0.37 0.34	22.0 20.0 0.62 0.57	38.0 35.0 1.08 0.99		
m	1.6 1.3 0.4 0.3	3.5 3.1 0.8 0.7	6.3 6.1 1.43 1.39	12.0 10.0 2.7 2.3			6.4 3.8 0.18 0.11	15.0 14.0 0.42 0.40	25.0 23.0 0.71 0.65	45.0 42.0 1.27 1.19		
n	2.2 1.8 0.5 0.4	4.3 3.8 1.0 0.9	8.0 7.5 1.8 1.7					10.0 7.0 0.28 0.20	20.0 16.0 0.57 0.45	32.0 28.0 0.91 0.79		
o	3.0 2.4 0.7 0.5							12.0 9.0 0.34 0.25				

Agua fría: "T" recta y buje de acero inoxidable o acero forjado
 Caudales aproximados de actuación/desactuación
 Superior en GPM, inferior en M³/HR

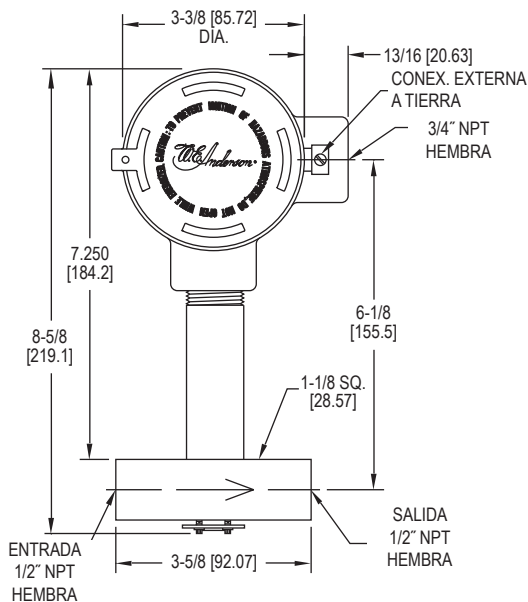
Aire: "T" recta y buje de acero inoxidable o acero forjado
 Caudales aproximados de actuación/desactuación
 Superior en SCFM, inferior en NM³/M

Aleta	1/2" NPT	3/4" NPT	1" NPT	1-1/4" NPT	1-1/2" NPT	2" NPT	1/2" NPT	3/4" NPT	1" NPT	1-1/4" NPT	1-1/2" NPT	2" NPT
Tamaño completo				5.0 4.5 1.1 1.0	8.5 7.8 1.9 1.8					21.0 18.0 0.59 0.51	33.0 30.0 0.93 0.85	
a				5.5 5.0 1.2 1.1	9.2 8.6 2.1 2.0					22.0 20.0 0.62 0.57	39.0 36.0 1.10 1.02	
b				6.2 5.7 1.4 1.3	9.8 9.0 2.2 2.0					24.0 22.0 0.68 0.62	42.0 38.0 1.19 1.08	
c				6.8 6.3 1.5 1.4	12.0 10.0 2.7 2.3					28.0 26.0 0.79 0.74	51.0 46.0 1.44 1.30	
d			2.8 2.4 0.6 0.5	8.5 7.8 1.9 1.8	13.0 11.0 3.0 2.5			12.0 10.0 0.34 0.28	10.0 8.2 0.93 0.85	33.0 30.0 1.56 1.42		
e			3.4 3.0 0.8 0.7	10.0 9.2 2.3 2.1				14.0 12.0 0.40 0.34	12.0 9.2 1.05 0.96	37.0 34.0 1.05 0.96		
f			4.0 3.6 0.91 0.82	12.0 10.0 2.7 2.3				16.0 14.0 0.45 0.40	14.0 10.0 1.22 1.13	43.0 40.0 1.22 1.13		
g		2.0 1.5 0.5 0.3	5.0 4.5 1.1 1.0					8.0 6.5 0.23 0.18	19.0 17.0 0.54 0.48			
h		2.5 2.0 0.6 0.5	6.5 6.1 1.48 1.39					11.0 10.0 0.31 0.28	26.0 24.0 0.74 0.68			
i		3.5 3.0 0.8 0.7	9.0 8.2 2.0 1.9					14.0 13.0 0.40 0.37	32.0 30.0 0.91 0.85			
j		7.0 5.5 1.6 1.2						27.0 24.0 0.76 0.68				
k		10.0 8.0 2.3 1.8						39.0 36.0 1.10 1.02				

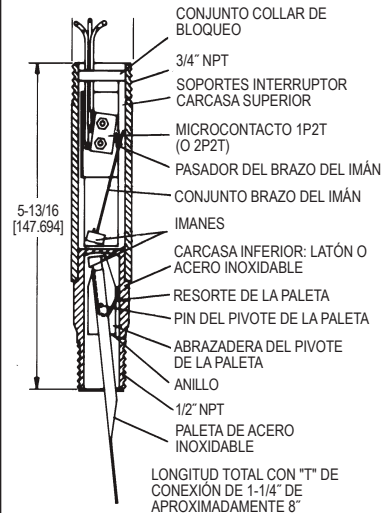
DIMENSIONES
Interruptor de caudal FLOTECT® serie V6



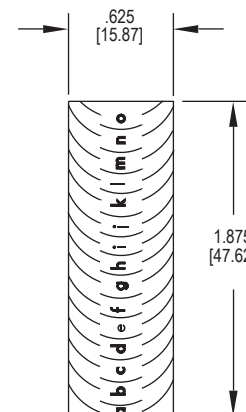
V6 Bajo caudal



V6 de bajo caudal con caja de conductor CSA, IECEx, ATEX

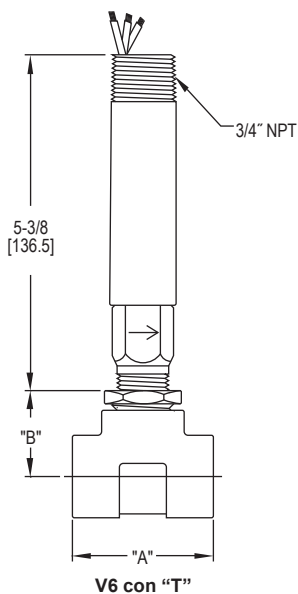


V6 con aleta recortable en campo

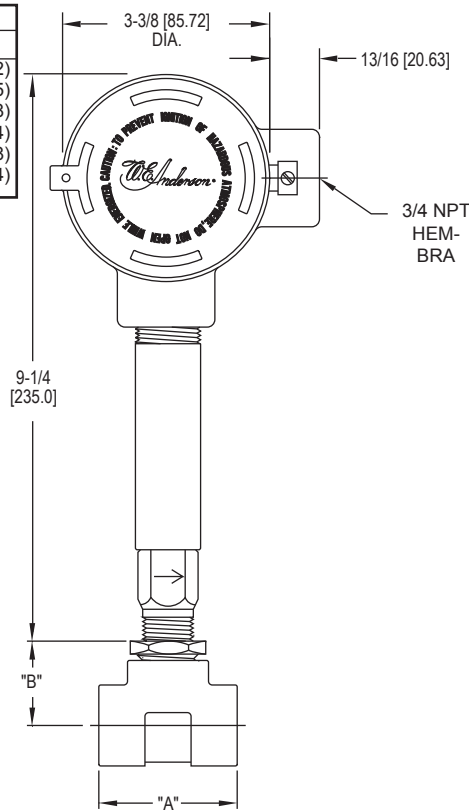


Aleta recortable

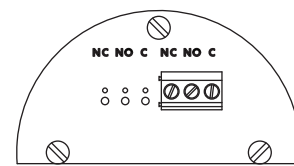
Tamaño de tubería	Latón/hiervo dúctil		Acero inoxidable/forjado		Hiervo dúctil	
	Dim. A	Dim. B	Dim. A	Dim. B	Dim. A	Dim. B
1/2"	2-1/4 (57)	1-1/8 (29)	2-1/4 (57)	1-1/8 (29)	2-1/2 (64)	1-1/4 (32)
3/4"	2-3/8 (60)	1-1/4 (32)	2-5/8 (67)	1-7/8 (47)	2-5/8 (67)	1-3/8 (35)
1"	2-1/2 (64)	1-3/8 (35)	3 (76)	2-1/8 (54)	2-7/8 (73)	1-1/2 (38)
1-1/4"	2-5/8 (67)	1-1/2 (89)	3-1/2 (38)	2-1/2 (64)	3 (76)	1-3/4 (44)
1-1/2"	2-7/8 (73)	1-5/8 (102)	4 (41)	2-3/4 (70)	3-1/4 (83)	1-7/8 (48)
2"	3 (76)	1-7/8 (121)	4-3/4 (48)	3-1/8 (79)	3-1/2 (89)	2-1/8 (54)



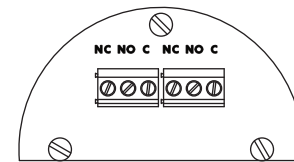
V6 con "T"



V6 con "T" y caja de conductor CSA, IECEx, ATEX



1P2T



2P2T

Conexiones terminales CSA, IECEx, cajas ATEX