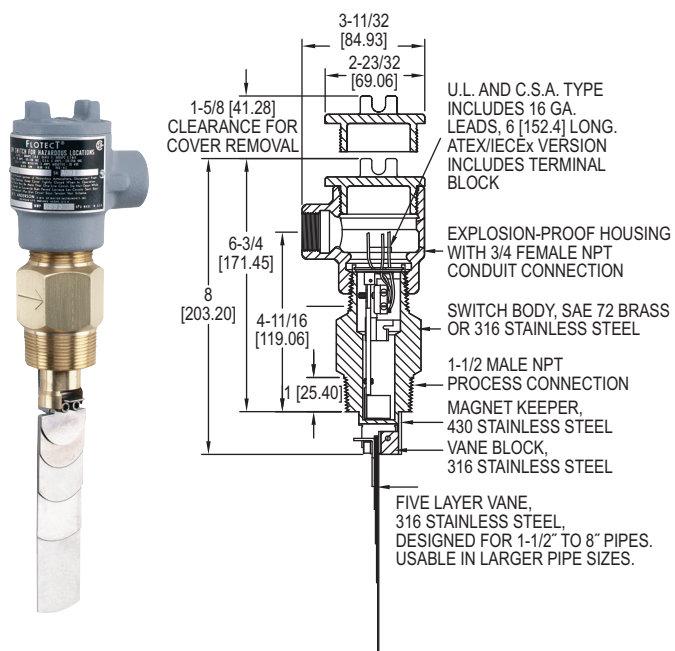




Series  
V4

# FLOTECT® Vane Operated Flow Switch

## Specifications - Installation and Operating Instructions



**Rugged and reliable the FloTECT® V4 flow switch** operates automatically to protect equipment and pipeline systems against damage from reduction or loss of flow. The V4 is time tested being installed in thousands of pipelines and processing plants around the world. A unique magnetically actuated switching design gives superior performance. There are no bellows, springs, or seals to fail. Instead, a free-swinging vane attracts a magnet within the solid metal switch body, actuating a snap switch by means of a simple lever arm.

### FEATURES

- Leak proof body machined from bar stock
- Choice of custom vane calibrated for your application, Model V4, or field adjustable multilayer vane, Model V4-2-U (see set point chart on page 4)
- Weatherproof, designed to meet NEMA 4
- Explosion-proof (listing included in specifications)
- Installs directly and easily into pipeline with a thredolet, tee, or flange (see application drawings on page 4)
- Can be used in pipes 1-1/2" and up
- Electrical assembly can be easily replaced without removing the unit from installation so that the process does not have to be shut down
- High pressure rating of 1000 psig (69 bar) with the brass body and 2000 psig (138 bar) with the 316 SS body

### APPLICATIONS

- Protects pumps, motors and other equipment against low or no flow
- Controls sequential operation of pumps
- Automatically starts auxiliary pumps and engines
- Stops liquid cooled engines, machines and processing when coolant flow is interrupted
- Shuts down burner when air flow through heating coil fails
- Controls dampers according to flow

### SPECIFICATIONS

**Service:** Gases or liquids compatible with wetted materials.

**Wetted Materials:** Vane: 316 SS; Body: Brass or 316 SS standard; Magnet Keeper: 430 SS standard, 316 SS optional; Options: Other materials also available, consult factory (e.g. PVC, Hastelloy, Nickel, Monel, Titanium).

**Temperature Limit:** -4 to 275°F (-20 to 135°C) standard, MT high temperature option 400°F (205°C) [MT option not UL, CSA, ATEX or IECEx] ATEX and IECEx options, ambient temperature -4 to 163°F (-20 to 73°C); Process temperature -4 to 163°F (-20 to 73°C).

**Pressure Limit:** Brass body 1000 psig (69 bar), 316 SS body 2000 psig (138 bar), optional 5000 psig (345 bar) available with 316 SS body and SPDT switch only.

**Enclosure Rating:** Weatherproof and Explosion-proof. Listed with UL and CSA for Class I, Groups C and D; Class II, Groups E, F, and G.

ATEX **CE** 2813 **Ex** II 2 G Ex db IIB T6 Gb -20°C ≤ Tamb ≤ 73°C.

-20°C ≤ Process Temp ≤ 73°C.

EU-Type Certificate No.: KEMA 03 ATEX 2383.

ATEX Standards: EN60079-0: 2012 + A11: 2013; EN60079-1: 2014.

IECEx Certified: For Ex db IIB T6 Gb -20°C ≤ Tamb ≤ 73°C. -20°C ≤ Process Temp ≤ 73°C.

IECEx Certificate of Conformity: IECEx DEK 11.0071.

IECEx Standards: IEC 60079-0: 2011; IEC 60079-1: 2014.

Zone I. Also FM approved.

**Switch Type:** SPDT snap switch standard, DPDT snap switch optional.

**Electrical Rating:** UL, FM, ATEX and IECEx models 10A @ 125/250 VAC (V~).

CSA models: 5A @ 125/250 VAC (V~); 5A res., 3A ind. @ 30 VDC (V=).

MV option: 1A @ 125 VAC (V~); 1A res., .5A ind. @ 30 VDC (V=).

MT option: 5A @ 125/250 VAC (V~). [MT and MV option not UL, CSA, FM, ATEX or IECEx].

**Electrical Connections:** UL and CSA models: 16 AWG, 6" (152 mm) long. ATEX or IECEx unit: Terminal block.

**Conduit Connection:** 3/4" female NPT or M25 x 1.5 with -BSPT option.

**Process Connection:** 1-1/2" male NPT or 1-1/2" male BSPT.

**Mounting Orientation:** Within 5° of vertical for proper operation. Units for horizontal installation (vertical pipe with up flow) available.

**Set Point Adjustment:** For universal vane: five vane combinations.

**Weight:** 4 lb 8 oz (1.9 kg).

### Notes:

• Check all ratings given in the instructions and on the product to make sure that the product is suitable for your application. Do not exceed electrical ratings, pressure ratings, or temperature ratings of the product.

• Disconnect power supply before beginning installation to prevent possible equipment damage or electrical shock.

### MAINTENANCE

Inspect and clean wetted parts at regular intervals. The cover should be in place at all times to protect the internal components from dirt, dust, and weather, and to maintain hazardous location ratings. Disconnect device from the supply circuit before opening to prevent ignition of hazardous atmosphere. Repairs to be conducted by Dwyer Instruments, Inc. Units in need of repair should be returned to the factory prepaid.

**DWYER INSTRUMENTS, INC.**  
P.O. BOX 373 • MICHIGAN CITY, INDIANA 46360, U.S.A.

Phone: 219-879-8000

Fax: 219-872-9057

www.dwyer-inst.com

e-mail: info@dwyermail.com

<b>Example</b>	V4	SS	3	1	6	C	F	2	S		V4-SS-316-C-F2S1
<b>Construction</b>	V4									1	Brass Body, SPDT Switch
<b>Construction Options</b>		SS 2 D U									316 SS Body Type 2 Body Style DPDT Switch Universal Vane (Omit for a custom vane)
<b>Magnet Keeper Material Options</b>			1 3								430 SS (Standard) 316 SS
<b>Vane Material Options</b>				1 2 3 4 5							316 SS (Standard) Carpenter 20 Hastelloy B Hastelloy C Monel
<b>Body Material Options</b>					1 2 3 4 5 6 7						Brass (Standard) Carpenter 20 CPVC* Hastelloy B Hastelloy C 316 SS (Must also use SS construction selection) Monel
<b>Other Options</b>						AT BSPT IEC EPOXY FSV FTR HP HV MT MV NACE NB NH SW TBC TRD TRI					ATEX 1-1/2" Female BSPT Process Connection, M25 x 1.5 Conduit Connection IECEX Epoxy Coated Housing Full Swing Vane Flow Test Report High Pressure*, 5000 psi (345 bar) (Only with SS body) Hinged Vane High Temperature* (See specifications for rating) Gold Contact Snap Switch* (See specifications for rating) NACE Heat Treated Body* Neoprene Boot* No Electrical Housing* Socket Weld Connection* Terminal Block Wire Connections* Time Delay Relay* (On flow decrease) Time Delay Relay* (On flow increase)
<b>Flange*</b>						V					Vertical Up Flow Applications Flange Process Connection
<b>Flange Size</b>							F			2 2.5 3 4	2" 2-1/2" 3" 4"
<b>Flange Material</b>									C S M B H		Carbon Steel 316 SS Monel Hastelloy B Hastelloy C
<b>Flange Rating</b>										1 3 6 9	150# 300# 600# 900#
<b>Bushing*</b>							B				Bushing Process Connection
<b>Bushing Size</b>								1 2 4			2" 2-1/2" 4"
<b>Bushing Type</b>									H F		Hex Flush
<b>Bushing Material</b>									B C S 4		Brass Carbon Steel 316 SS 304 SS
<b>Tee*</b>							T				Tee Process Connection
<b>Tee Size</b>								1			1-1/2"
<b>Tee with Bushing*</b>							TB				Tee with Bushing Process Connection (Both same material)
<b>Tee Size</b>								2 3			2" 3"
<b>Tee Material and Type</b>									B0 B1 B2 C CP S P		Brass 125 # Brass 150 # Brass 250 # Carbon Steel 2000 # (Only with 2" and 3") CPVC SCH 80 316 SS 150 # PVC SCH 80

\*Options that do not have ATEX or IECEX.

**Attention:** Units without the "AT" suffix are not Directive 2014/34/EU (ATEX) compliant. These units are not intended for use in potentially hazardous atmospheres in the EU. These units may be CE marked for other Directives of the EU.

**INSTALLATION**

- Remove packing material from switch body-cap and remove tape from magnet keeper. Adjust vane length if necessary on multi-layer vanes only (see flow rate charts on next page). Install switch in throolet previously welded to line. In some cases, it may be necessary to install the switch in a flange or tee (see installation drawings on next page). Note: extreme care must be exercised in welding the fitting to the line so that it is plumb and level.

**ADJUSTMENT OF MULTI-LAYER VANE**

Remove only those layers which are too long. Leave the smaller layers to reinforce the vane. The longest vane fits 6" (150 mm) or larger pipe, the second longest vane fits 4" (100mm) pipe, etc. Actuation-Deactuation rates are shown in the charts on the next page. To remove vane layers, proceed as follows:

- Remove the two screws and lockwashers holding the layers together. Do not lose these special corrosion resistant type 316 stainless steel screws and lockwashers.
- Remove the unwanted layers.
- Resecure the vane with the original two screws and lockwashers.
  - If using a product with the 316 SS vane block option, a second pair of screws are included in the package. Resecure the vane with the correct screws per the below:

# of Vanes Used	Use Screw Length
1, 2	7/16" (included in box)
3, 4, 5	1/2" (pre-installed)

- With a hammer, lightly peen the ends of the screws so that they can't back out.
- If you lose the screws or lockwashers, don't replace with other parts which may corrode and break. That will void the warrantee and might cause severe damage to equipment located downstream of the switch.

**Note:** Custom vane units have been calibrated at factory to meet requirements. Do not change.

- The arrow on the side of the switch must point in the direction of flow.
- Wiring: UL and CSA units only: thread connecting wires through conduit and connect. Wire in accordance with local electrical codes.  
 Black - Common  
 Blue - N.O.  
 Red - N.C.

**Note:** Double pole, double throw switches have dual black, blue and red leads. These are connected in the same manner as single pole, double throw switches, as described above.

**ATEX and IECEx Installation Instructions:**

**Cable Connection**

The cable entry device shall be certified in type of explosion protection flameproof enclosure "d", suitable for conditions of use and correctly installed. Cable entry may exceed 70°C. Conductors and cable gland rated ≥95°C shall be used.

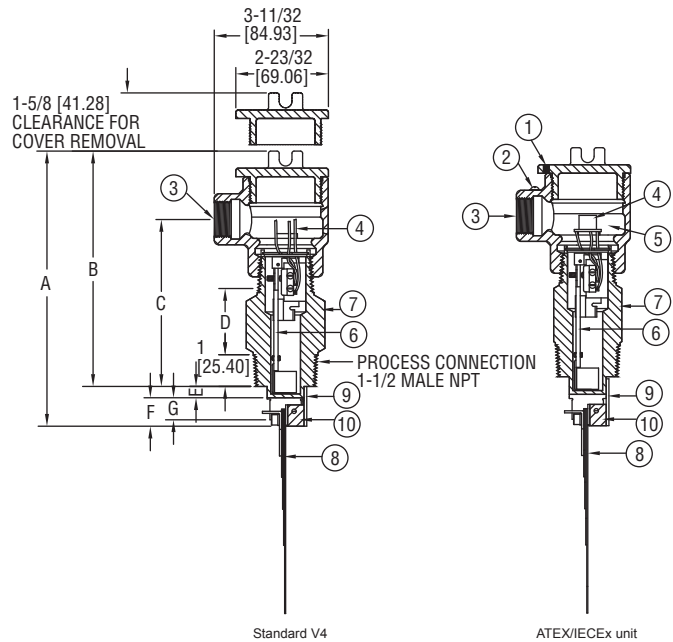
**Conduit Connection**

An Ex d certified sealing device such as a conduit seal with setting compound shall be provided immediately to the entrance of the valve housing. Cable entry may exceed 70°C. Conductors and cable gland rated ≥95°C shall be used.

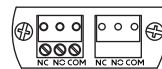
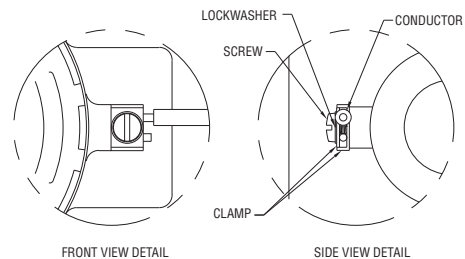
**Note:** The switch is deactivated and contacts are in normal condition when there is no flow in the line.

- Make sure conduit or cable are properly sealed. Electrical components must be kept free of moisture, including condensation, at all times. **CAUTION:** To prevent ignition of hazardous atmosphere, disconnect the device from the supply circuit before opening. Keep assembly tightly closed when in operation.

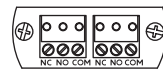
**Note:** ATEX and IECEx units only: The temperature class is determined by the maximum ambient and or process temperature. Units are intended to be used in ambient of -20°C ≤ Tamb ≤ 73°C. Units may be used in process temperatures up to 133°C providing the enclosure and switch body temperature do not exceed 73°C. The standard Temperature Class is T6 Process Temp ≤ 73°C.



- For units supplied with both internal ground and external bonding terminals, the ground screw inside the housing must be used to ground the control. The external bonding screw is for supplementary bonding when allowed or required by local code. When external bonding conductor is required, conductor must be wrapped a minimum of 180° about the external bonding screw. See below.



**TERMINAL CONNECTIONS SPDT**



**TERMINAL CONNECTIONS DPDT**

Dim	V4 in(mm)	V4-2 in(mm)
A	8-3/16 (207.96)	8 (203.20)
B	6 (152.40)	6-3/4 (171.45)
C	4-11/16 (119.06)	3-15/16 (100.01)
D	1 (25.40)	1-3/4 (44.45)
E	1-5/16 (33.34)	9/16 (14.30)
F	7/8 (22.23)	11/16 (17.63)
G	11/16 (17.46)	1/2 (12.70)

Ref #	Standard V4	ATEX/IECEx unit
1	N/A	Cover lock.
2	N/A	External ground.
3	Explosion-proof housing with 3/4" female NPT conduit connection.	Explosion-proof housing with 3/4" female NPT conduit connection.
4	16 AWG, 6" (152 mm) long.	Terminal Block
5	Internal	Internal ground.
6	Magnet arm and switch assembly.	Magnet arm and switch assembly.
7	Switch body of SAE 72 Brass or 316 SS.	Switch body of SAE 72 Brass or 316 Stainless Steel.
8	Five layer vane, 316 Stainless Steel, Designed for 1/2" to 8" pipes. Usable in larger pipe sizes.	Five layer vane, 316 Stainless Steel, Designed for 1/2" to 8" pipes. Usable in larger pipe sizes.
9	Magnet keeper of 430 Stainless Steel.	Magnet keeper of 430 Stainless Steel.
10	Vane block of 316 Stainless Steel.	Vane block of 316 Stainless Steel.

**V4 Universal Vane Flow Charts**

Values shown in both charts are nominal. If normal flows exceed actuation rates by less than 10%, custom vanes are recommended. Figures are based on standard vertical installation in a 1-1/2" thredolet in a horizontal run of pipe.

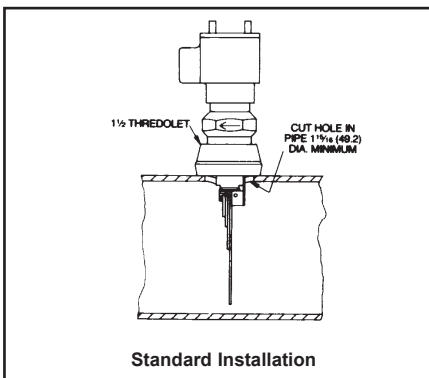
APPROXIMATE ACTUATION/DEACTUATION FLOW RATES FOR COLD WATER. UPPER FIGURES IN GPM. LOWER FIGURES IN LPM												
VANE LAYERS	1.5" PIPE	2" PIPE	3" PIPE	4" PIPE	6" PIPE	8" PIPE	10" PIPE	12" PIPE	14" PIPE	16" PIPE	18" PIPE	20" PIPE
1	7-3 26.67-11.67	15-8 56.7-30	45-22 167-83.3	95-40 367-150	210-120 800-450	375-175 1417-667	600-300 2267-1133	900-450 3400-1700	1200-600 4550-2267	1400-800 5300-3033	2000-1000 7567-3783	2400-1200 9083-4550
1&2		7-4 26.7-15	23-14 86.7-53.3	50-35 190-132	130-90 500-333	230-150 867-567	450-250 1700-950	650-350 2467-1317	900-500 3400-1900	1200-650 4550-2467	1450-800 5483-3033	1800-1000 6817-3783
1,2,&3			11-7 41.7-26.7	27-19 102-71.7	80-60 300-233	160-115 600-433	300-180 1133-683	450-275 1700-1033	600-350 2267-1317	750-450 2750-2083	1000-600 3783-2267	1200-700 4550-2650
1,2,3,&4				17-12 65-45	60-45 233-167	120-90 450-333	230-150 867-567	310-200 1167-750	430-280 1633-1067	550-360 2083-1367	700-450 2650-1700	850-550 3217-2083
1,2,3,4,&5					40-30 152-113	80-65 300-250	135-100 517-383	200-140 750-533	290-200 1100-750	360-250 1367-950	460-325 1733-1233	575-400 2183-1517

Actuation rates are based on cold water at a specific gravity of 1.0. For fluids of different specific gravity, actuation rates may be approximated by dividing the rate shown by the square root of the specific gravity.

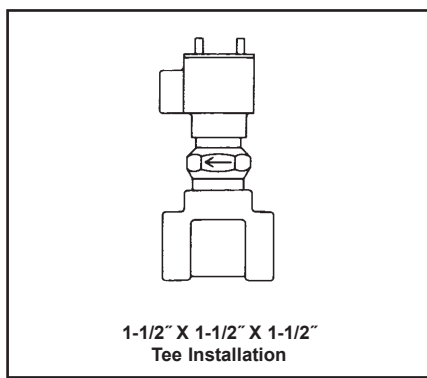
APPROXIMATE ACTUATION/DEACTUATION FLOW RATES FOR AIR. UPPER FIGURES IN SCFM. LOWER FIGURES IN LPS												
VANE LAYERS	1.5" PIPE	2" PIPE	3" PIPE	4" PIPE	6" PIPE	8" PIPE	10" PIPE	12" PIPE	14" PIPE	16" PIPE	18" PIPE	20" PIPE
1	32-17 15-8	65-32 30-20	210-105 100-50	400-200 190-90	950-475 450-220	1550-850 730-400	2400-1300 1100-600	3450-1900 1600-900	4700-2600 2200-1200	6400-3500 3000-1700	8000-4400 3800-2100	10000-5500 4700-2600
1&2		23-13 10-6	120-70 60-30	195-140 90-70	550-375 260-180	1100-700 520-330	1850-1200 870-570	2700-1750 1300-800	3400-2200 1600-1000	4800-3100 2300-1500	6000-3900 2800-1800	7400-4800 3500-2300
1,2,&3			60-48 30-20	135-100 60-50	375-265 180-130	725-500 340-240	1200-850 570-400	1850-1300 870-610	2600-1800 1200-800	3350-2350 1600-1100	4300-3000 2000-1400	5300-3700 2500-1700
1,2,3,&4				65-50 30-20	260-200 120-90	500-400 240-190	875-700 410-330	1250-1000 590-470	1900-1500 900-710	2500-2000 1200-900	3100-2500 1500-1200	3900-3100 1800-1500
1,2,3,4,&5					130-100 60-50	310-250 150-120	650-525 310-250	1000-800 470-380	1600-1250 760-590	2200-1750 1040-830	2800-2250 1300-1100	3550-2850 1700-1300

Actuation rates are based on air at standard conditions. For gases at other pressures, temperatures, or specific gravities, consult factory for equivalent flow approximations.

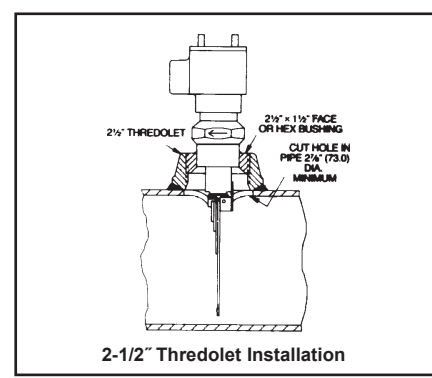
**APPLICATION DRAWINGS FOR FLOTECT® AUTOMATIC FLOW SWITCHES**



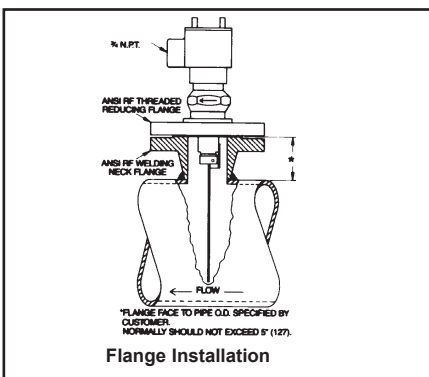
Standard Installation



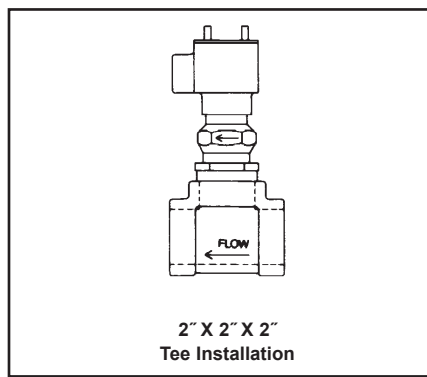
1-1/2" X 1-1/2" X 1-1/2"  
Tee Installation



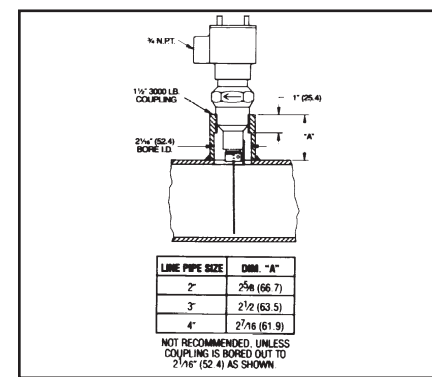
2-1/2" Thredolet Installation



Flange Installation



2" X 2" X 2"  
Tee Installation



LINE PIPE SIZE	DIM. "A"
2"	2 5/8 (66.7)
3"	2 1/2 (63.5)
4"	2 1/8 (61.9)

NOT RECOMMENDED, UNLESS COUPLING IS BORED OUT TO 2 1/8" (52.4) AS SHOWN

**DWYER INSTRUMENTS, INC.**  
P.O. BOX 373 • MICHIGAN CITY, INDIANA 46360, U.S.A.

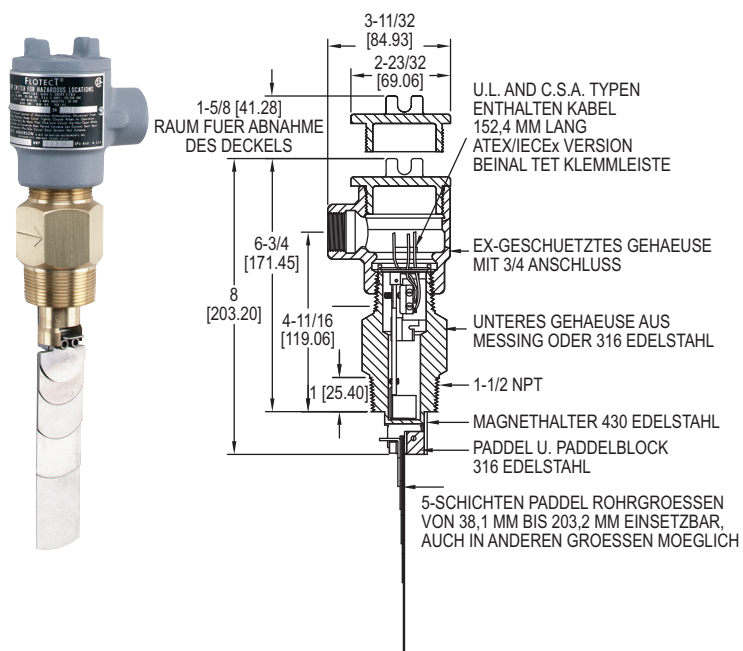
Phone: 219-879-8000  
Fax: 219-872-9057

www.dwyer-inst.com  
e-mail: info@dwyermail.com



# Reihe V4 FLOTECT® Durchflußwächter

## Betriebsanleitung



Der robuste und zuverlässige Durchflußwächter der Reihe V4 schützt Geräte und Rohrsysteme vor Schäden durch Verringerung oder fehlendem Durchfluß. Der V4 wurde schon in Tausenden von Rohrleitungen und Prozessfirmen eingesetzt. Der Wächter basiert auf einem magnetischen Prinzip. Es gibt keine Kolben, Federn oder Dichtungen, die ausgetauscht werden müssten. Das frei schwingende Paddel aktiviert einen Magneten innerhalb des soliden metallischen Körpers, der wiederum einen Mikroschalter auslöst.

### HAUPTMERKMALE

- Leckagedichter Körper
- Eine Auswahl an kundenspezifischen Paddeln, Modell V4 ist einstellbar vom Kunden durch mehrschichtiges Paddel, Modell V4-2-U (siehe Schaltpunkteinstellung)
- Wettergeschütztes Gehäuse, gemäß NEMA4
- Ex-geschützt (siehe Spezifikationen)
- Einfache und direkte Montage mittels Anschlußgewinde, T-Stück oder Flanschen (siehe Abb.)
- Einsatz in Rohren von 36 mm und größer
- Die Elektrik kann einfach ausgetauscht werden, ohne den Wächter vom Prozess zu entfernen, so dass dieser nicht gestoppt werden muss
- Hoher Druckbereich: 69 bar mit Messingkörper, 138 bar mit 316 Edelstahlkörper

### ANWENDUNGEN

- Schützt Pumpen, Motoren oder andere Geräte bei zu niedrigem oder keinem Durchfluß
- Steuert sequenziellen Betrieb von Pumpen
- Startet automatisch Hilfspumpen und Motoren ein
- Schaltet flüssigkeitsgekühlte Maschinen, Motoren oder Prozesse ab, wenn der Durchfluß des Kühlmittels unterbrochen ist
- Schaltet Brenner ab, wenn die Luftzufuhr durch die Heizspulen defekt ist

### TECHNISCHE DATEN

**Medium:** Flüssigkeiten, kompatibel zu den medienberührenden Teilen.

#### Medienberührende Teile:

Schwimmer und Arm: 316 Edelstahl.

Körper: Messing oder 316 Edelstahl.

Magnethalter: 430 Edelstahl Standard, 316 Edelstahl oder Nickel optional.

**Temperaturbereich:** -20°C bis 135°C Standard, MT Version bis 205°C [MT-Option nicht möglich bei UL, CSA, ATEX und IECEx]. Optionen mit ATEX-, IECEx- oder Schutz: Umgebungstemperatur -20 bis 73°C; Prozesstemperatur -20 bis 73°C.

**Druckbereich:** Messingkörper: 69 bar, 316 Edelstahlkörper: 138 bar, optional bis 345 bar nur verfügbar mit 316 Edelstahlkörper und 1 x SPDT.

**Gehäuse:** Wettergeschützt und Explosionsgeschützt. Listed mit UL and CSA für Class I, Groups C and D; Class II, Groups E, F, and G. ATEX **CE** 2813 **Ex** II 2 G Ex db IIB T6 Gb -20°C ≤ Tamb ≤ 73°C.

-20°C ≤ Prozesstemp ≤ 73°C.

EU-Zertifikat Nr.: KEMA 03 ATEX 2383.

ATEX-Normen: EN60079-0: 2012 + A11: 2013; EN60079-1: 2014.

IECEx-genehmigt: für Ex db IIB T6 Gb -20°C ≤ Tamb ≤ 73°C.

-20°C ≤ Prozesstemp ≤ 73°C.

IECEx-Konformitätszertifikat: IECEx DEK 11.0071 oder M25 x 1,5 mit -BSPT-Option.

IECEx-Normen: IEC 60079-0: 2011; IEC 60079-1: 2014 oder 1-1/2" (47,8 mm) Stecker BSPT.

**Mikroschalter:** SPDT Standard, DPDT optional.

**Schaltleistung:** Modelle UL, FM, ATEX und IECEx: 10A @ 125/250 VAC (V~).

CSA Modelle: 5A @ 125/250 VAC (V~); 5A res., 3A ind. @ 30 VDC (V---). MV

Option: 1A @ 125 VAC (V~). MT option: 5A @ 125/250 VAC (V~). [MT- und MV-Option nicht möglich bei UL, CSA, FM, ATEX und IECEx].

**Elektrische Anschlüsse:** UL und CSA Modelle: 16 AWG, 152 mm lang, ATEX und IECEx Ausführung: Klemmleiste.

**Kabeleingang:** 3/4" NPTF ou M25 x 1,5 avec BSPT en option.

**Prozessanschluss:** 1-1/2" NPTM ou filetage mâle BSPT 1 à 1/2 po (2,54 à 1,27 cm).

**Montagerichtung:** Innerhalb 5° zur Vertikalen, Optional Geräte für horizontalen Einbau.

**Gewicht:** 2,07 kg.

**Schaltpunkteinstellung:** mit Standardpaddel: Kombination aus fünf Schichten.

### Bemerkungen:

- Prüfen Sie die elektrischen Instruktionen und gehen Sie sicher, dass das Gerät für die Anwendung geeignet ist. Überschreiten Sie auf keinen Fall die angegebenen Schaltleistungen, Druck- und Temperaturbereiche die für dieses Produkt angegebenen Spezifikationen.

- Lösen Sie die Spannungsversorgung, bevor Sie die elektrischen Anschlüsse verbinden, um eventuelle Schäden zu vermeiden.

### WARTUNG:

Püfen und Reinigen Sie die medienberührenden Teile regelmäßig. Der Gehäusedeckel sollte immer geschlossen bleiben, um die internen Komponenten frei von Schmutz und Staub zu halten. Unterbrechen Sie die Spannungsversorgung in explosionsgefährdeten Umgebungen, bevor Sie das Gerät öffnen. Reparaturen sollten durch Dwyer Instruments, Inc. ausgeführt werden.

DWYER INSTRUMENTS, INC.  
P.O. BOX 373 • MICHIGAN CITY, INDIANA 46360, U.S.A.

Phone: 219-879-8000  
Fax: 219-872-9057

www.dwyer-inst.com  
e-mail: info@dwyermail.com



Beispiel	V4	SS	3	1	6	C	F	2	S	1	V4-SS-316-C-F2S1
Konstruktion	V4										Messingkoerper, SPDT Schalter
Konstruktions-Optionen		SS 2 D U									316 Edelstahlkoerper Type 2 Koerperstil DPDT Schalter Universal Paddel nach Kundenwunsch
Magnethalterung			1								430 Edelstahl (Standard)
Material Optionen			3								316 Edelstahl
Paddelmaterial Optionen				1 2 3 4 5							316 Edelstahl (Standard) Carpenter 20 Hastelloy B Hastelloy C Monel
Gehaeusematerial Optionen					1 2 3 4 5 6 7						Messing(Standard) Carpenter 20 CPVC* Hastelloy B Hastelloy C 316 Edelstahl (muss auch die anderen als Edelstahl haben) Monel
Andere Optionen						AT BSPT IEC EPOXY FSV FTR HP HV MT MV NACE NB NH SW TBC TRD TRI V					ATEX 1-1/2" (47,8 mm) Buchse BSPT Prozessanschluss, M25 x 1,5 Leerrohranschluss IECEX Epoxy beschichtetes Gehaeuse Full Swing Vane Flow Test Report Hochdruck*, 5000 psi (345 bar) (Nur mit Edelstahlkoerper) Haengendes Paddel Hoch - Temperature* Gold Kontakte NACE Heat Treated Koerper* Neoprene Schutz* Kein elektrisches Gehaeuse* geschweisste Verbindungen* Klemmleiste* Zeitverzoegerungsrelais* (steigend) Zeitverzoegerungsrelais* (fallend) Vertikale Montage
Flansche*							F				Flanschanschluss
Flanschgroesse								2 2.5 3 4			2" 2-1/2" 3" 4"
Flanschmaterial									C S M B H		Stahl 316 Edelstahl Monel Hastelloy B Hastelloy C
Flanschrate										1 3 6 9	150# 300# 600# 900#
Muffe*							B				Muffenanschluss
Muffengroesse								1 2 4			2" 2-1/2" 4"
Muffentyp									H F		Hex Flush
Muffenmaterial										B C S 4	Messing Stahl 316 Edelstahl 304 Edelstahl
T-Stueck*							T				T-Stueck Anschluss
T-Stueckgroesse								1			1-1/2"
T-Stueck mit							TB				T-Stueck mit Muffe
Muffe*								2 3			2" 3"
T-Stueck Material und Typ										B0 B1 B2 C CP S P	Messing 125 # Messing 150 # Messing 250 # Stahl 200D #(Nur mit 2" und 3") CPVC SCH 80 316 Edelstahl 150 # PVC SCH 80

\*Optionen ohne ATEX- oder IECEX-Schutz

**Achtung:**Geraete ohne -AT suffix sind nicht nach ATEX zertifiziert und duerfen nicht in explosionsgefaehrden Umgebungen eingesetzt werden.

**INSTALLATION**

1. Entfernen Sie das Verpackungsmaterial und das Klebeband von der Magnethalterung. Prüfen Sie die Länge des Paddels und stellen die Länge auf Ihre Anwendung ein. Installieren Sie den Schalter in das Schraubteil, dass vorher am Rohr eingeschweisst wurde. Prüfen Sie vorher noch die Verschraubungen am Paddel. In manchen Fällen ist es notwendig den Durchfluswächter mittels eines T-Stückes oder Flansches zu befestigen. Es muss sehr sorgfältig darauf geachtet werden, dass beim Schweißen der Anschlüsse, diese sehr fest sitzen.

**EINSTELLUNG DER VERSCHIEDENEN PADDELLÄNGEN**

Entfernen Sie die Paddel, die zu lang sind. Lassen Sie alle kürzeren Paddel am Schalter, um die gesamte Einrichtung zu verstärken. Das längste Paddel passt in einen Rohrdurchmesser von 150 mm oder größer, das zweitlängste in ein Rohr mit 100 mm Durchmesser, usw. Die Ein- und Ausschaltpunkte entnehmen Sie der beigefügten Tabelle. Um die Paddel zu entfernen gehen Sie wie folgt vor:

- a. Entfernen Sie die zwei Schrauben und Unterlegscheiben, die Paddel zusammenhalten. Verlieren Sie auf keinen Fall diese Schrauben.
  - b. Entfernen Sie nun die nicht benötigten Paddel
  - c. Befestigen Sie die anderen Paddel wieder mit den zwei Schrauben.
- c1. Bei Verwendung eines Produkts mit der 316SS-Paddelblock-Option ist ein zweites Schraubenpaar in der Packung enthalten. Sichern Sie das Paddel mit den folgenden korrekten Schrauben:

Anzahl der verwendeten Paddel	Verwenden Sie die Schraubenlänge
1, 2	7/16" (im Lieferumfang enthalten)
3, 4, 5	1/2" (vorinstalliert)

- d. Schlagen Sie mit einem Hammer auf die Enden der beiden Schrauben, so dass sich diese nicht mehr lösen können.
- e. Wenn Sie die Schrauben oder Unterlegscheiben verlieren, ersetzen Sie diese nicht durch Schrauben, die in dem verwendeten Medium korrodieren können. Dadurch verlieren Sie die Garantie des Gerätes.

**Bemerkung:** Kundenspezifische Paddellängen sind direkt auf die Kundenanwendung kalibriert worden. Ändern Sie diese nicht mehr.

- 2. Der Pfeil auf der Seite des Durchfluswächters muss in Richtung Durchflus zeigen.
- 3. Verdrahtung: UL und CSA Geräte: Führen Sie die Verbindungsdrähte durch die Durchführung und schliessen diese wie folgt an:  
 Schwarz      Gemeinsamer Pol  
 Blau          stromlos offen  
 Rot            stromlos geschlossen

**Bemerkung:** DPDT Mikroschalter haben jeweils zwei schwarze, blaue und rote Drähte. Diese werden in der gleichen Weise angeschlossen wie bei einem SPDT Schalter.

**Montageanleitung für ATEX und IECEx**

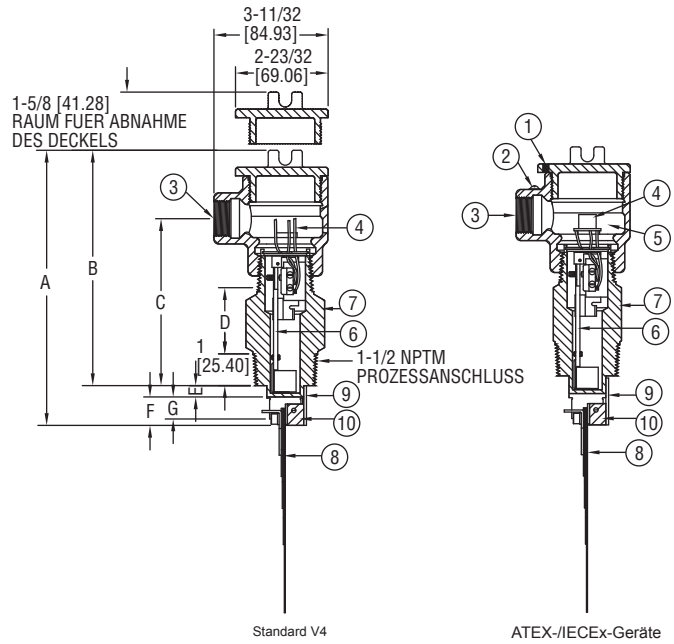
**Kabelanschluss**  
 Das Kabeleingangsgesetz muss in der Kategorie "Explosionsschutz" als f euersicheres Gehäuse der Klasse D zugelassen sein, für die Einsatzbedingungen geeignet sein und korrekt installiert werden. Die Kabeleingangstemperatur kann über 70° C betragen. Es sind Anschlüsse und Kabelverschraubungen für ≥ 95°C zu verwenden.

**Gehäuseverschraubung**  
 Am Eingang des Ventilgehäuses ist umgehend eine Dichtungsvorrichtung mit Ex-d-Zertifizierung wie beispielsweise ein Kabelschutzrohr mit Justierung anzubringen. Die Kabeleingangstemperatur kann über 70° C betragen. Es sind Anschlüsse und Kabelverschraubungen für ≥ 95°C zu verwenden.

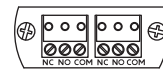
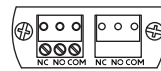
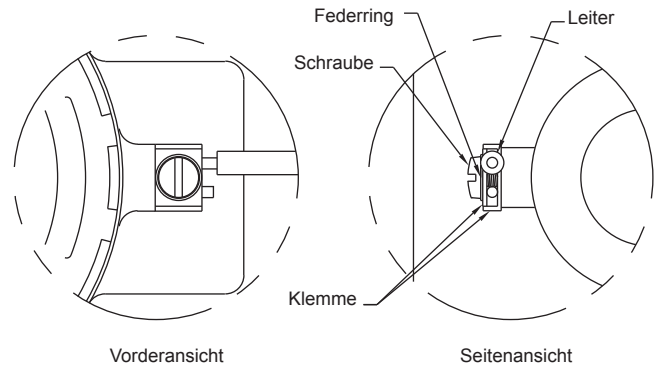
**Bemerkung:** Der Wächter ist deaktiviert und die Kontakte sind in normaler Schaltung, wenn sich die Flüssigkeit unterhalb des Schwimmers befindet.

- 4. Prüfen Sie, dass die Gehäuseverschraubungen und Kabel entsprechend abgedichtet sind. Alle elektrischen Komponenten müssen öl- und fettfrei sein, wie auch frei von Kondensationsfeuchte. **ACHTUNG:** Um Zündfunken explosionsgefährdeter Umgebung zu verhindern, unterbrechen Sie die Spannungsversorgung, bevor Sie den Füllstandswächter öffnen. Halten Sie das Gerät beim Arbeiten immer geschlossen.

**HINWEIS:** nur für ATEX-, und IECEx-Geräte: Die Temperaturklasse richtet sich entweder nach der max. Umgebungstemperatur oder der Prozesstemperatur. Die Geräte sind für eine Umgebungstemperatur von -20 °C < Tamb < 73 °C bestimmt. Die Instrumente können bis zu einer Prozesstemperatur von 133 °C eingesetzt werden, vorausgesetzt das Gehäuse und der Schaltkörper erreichen keine Temperaturen über 73°C. Bei einer Prozesstemperatur von <73°C lautet die Standardtemperaturklasse T6.



5. Bei Geräten mit interner Erdungsschraube und externer Verbindungsschraube muss die innere Erdungsschraube zur Erdung des Signals verwendet werden. Die externe Verbindungsschraube dient zur zusätzlichen Erdung, falls von örtlichen Regularien erlaubt oder erfordert. Ist ein externer Verbindungsleiter erforderlich, muss der Leiter mindestens 180° um die externe Verbindungsschraube gewickelt sein. Siehe unten.



**TERMINAL CONNECTIONS SPDT**

**TERMINAL CONNECTIONS DPDT**

Abmess.	V4 in (mm)	V4-2 in (mm)
A	8-3/16 (207.96)	8 (203.20)
B	6 (152.40)	6-3/4 (171.45)
C	4-11/16 (119.06)	3-15/16 (100.01)
D	1 (25.40)	1-3/4 (44.45)
E	1-5/16 (33.34)	9/16 (14.30)
F	7/8 (22.23)	11/16 (17.63)
G	11/16 (17.46)	1/2 (12.70)

Ref #	Standard V4	ATEX-/IECEx-Geräte
1	N/A	Deckelschloss
2	N/A	Externe Erdung
3	Explosionsschutztes Geh. 3/4" NPTF Anschluss-Verbindung	Explosionsschutztes Geh. 3/4" NPTF Anschluss-Verbindung
4	16 AWG, 6" (152 mm) long.	Klemmleiste
5	Intern	Interne Erdung
6	Magnetarm und Schalter	Magnetarm und Schalter
7	Gehäuse aus Messing oder 316 Edelstahl	Gehäuse aus Messing oder 316 Edelstahl
8	5-lagiges Paddel, 316 Edelstahl fuer 1/2 bis 8 Rohrdurchmesser, auch fuer groessere Rohre geeignet	5-lagiges Paddel, 316 Edelstahl fuer 1/2 bis 8 Rohrdurchmesser, auch fuer groessere Rohre geeignet
9	Magnethalter aus 430 Edelstahl	Magnethalter aus 430 Edelstahl
10	Paddelblock aus 316 Edelstahl	Paddelblock aus 316 Edelstahl

### V4 Universal Vane Flow Charts

Values shown in both charts are nominal. If normal flows exceed actuation rates by less than 10%, custom vanes are recommended. Figures are based on standard vertical installation in a 1-1/2" thredolet in a horizontal run of pipe.

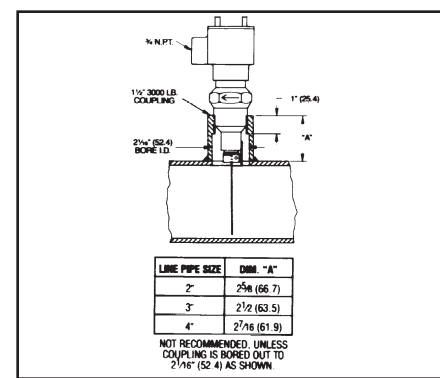
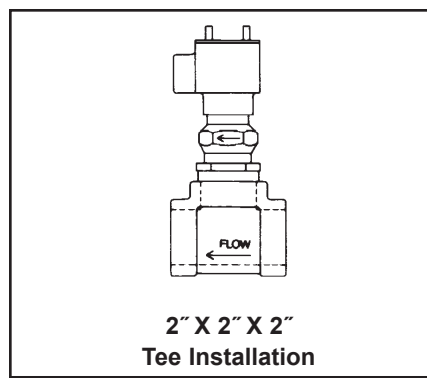
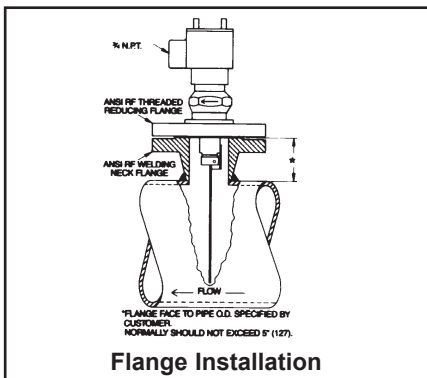
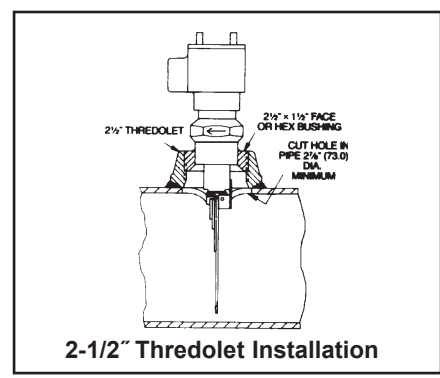
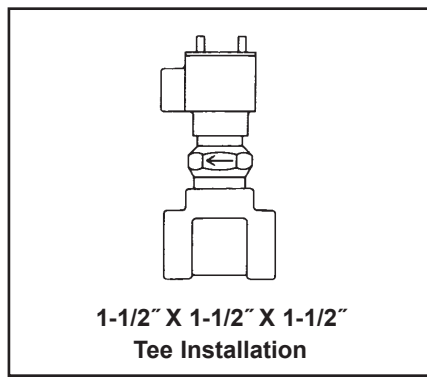
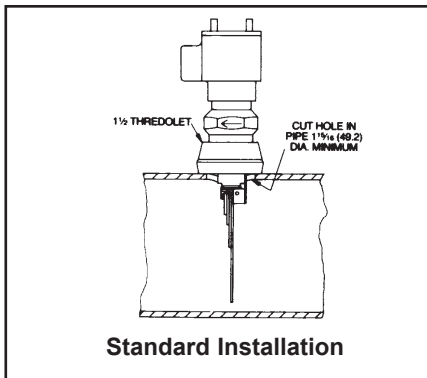
APPROXIMATE ACTUATION/DEACTUATION FLOW RATES FOR COLD WATER. UPPER FIGURES IN GPM. LOWER FIGURES IN LPM												
VANE LAYERS	1.5"PIPE	2"PIPE	3"PIPE	4"PIPE	6"PIPE	8"PIPE	10"PIPE	12"PIPE	14"PIPE	16"PIPE	18"PIPE	20"PIPE
1	7-3 26.67-11.67	15-8 56.7-30	45-22 167-83.3	95-40 367-150	210-120 800-450	375-175 1417-667	600-300 2267-1133	900-450 3400-1700	1200-600 4550-2267	1400-800 5300-3033	2000-1000 7567-3783	2400-1200 9083-4550
1&2		7-4 26.7-15	23-14 86.7-53.3	50-35 190-132	130-90 500-333	230-150 867-567	450-250 1700-950	650-350 2467-1317	900-500 3400-1900	1200-650 4550-2467	1450-800 5483-3033	1800-1000 6817-3783
1,2,&3			11-7 41.7-26.7	27-19 102-71.7	80-60 300-233	160-115 600-433	300-180 1133-683	450-275 1700-1033	600-350 2267-1317	750-450 2750-2083	1000-600 3783-2267	1200-700 4550-2650
1,2,3,&4				17-12 65-45	60-45 233-167	120-90 450-333	230-150 867-567	310-200 1167-750	430-280 1633-1067	550-360 2083-1367	700-450 2650-1700	850-550 3217-2083
1,2,3,4, &5					40-30 152-113	80-65 300-250	135-100 517-383	200-140 750-533	290-200 1100-750	360-250 1367-950	460-325 1733-1233	575-400 2183-1517

Actuation rates are based on cold water at a specific gravity of 1.0. For fluids of different specific gravity, actuation rates may be approximated by dividing the rate shown by the square root of the specific gravity.

APPROXIMATE ACTUATION/DEACTUATION FLOW RATES FOR AIR. UPPER FIGURES IN SCFM. LOWER FIGURES IN LPS												
VANE LAYERS	1.5"PIPE	2"PIPE	3"PIPE	4"PIPE	6"PIPE	8"PIPE	10"PIPE	12"PIPE	14"PIPE	16"PIPE	18"PIPE	20"PIPE
1	32-17 15-8	65-32 30-20	210-105 100-50	400-200 190-90	950-475 450-220	1550-850 730-400	2400-1300 1100-600	3450-1900 1600-900	4700-2600 2200-1200	6400-3500 3000-1700	8000-4400 3800-2100	10000-5500 4700-2600
1&2		23-13 10-6	120-70 60-30	195-140 90-70	550-375 260-180	1100-700 520-330	1850-1200 870-570	2700-1750 1300-800	3400-2200 1600-1000	4800-3100 2300-1500	6000-3900 2800-1800	7400-4800 3500-2300
1,2,&3			60-48 30-20	135-100 60-50	375-265 180-130	725-500 340-240	1200-850 570-400	1850-1300 870-610	2600-1800 1200-800	3350-2350 1600-1100	4300-3000 2000-1400	5300-3700 2500-1700
1,2,3,&4				65-50 30-20	260-200 120-90	500-400 240-190	875-700 410-330	1250-1000 590-470	1900-1500 900-710	2500-2000 1200-900	3100-2500 1500-1200	3900-3100 1800-1500
1,2,3,4, &5					130-100 60-50	310-250 150-120	650-525 310-250	1000-800 470-380	1600-1250 760-590	2200-1750 1040-830	2800-2250 1300-1100	3550-2850 1700-1300

Actuation rates are based on air at standard conditions. For gases at other pressures, temperatures, or specific gravities, consult factory for equivalent flow approximations.

### APPLICATION DRAWINGS FOR FLOTECT® AUTOMATIC FLOW SWITCHES



DWYER INSTRUMENTS, INC.  
P.O. BOX 373 • MICHIGAN CITY, INDIANA 46360, U.S.A.

Phone: 219-879-8000  
Fax: 219-872-9057

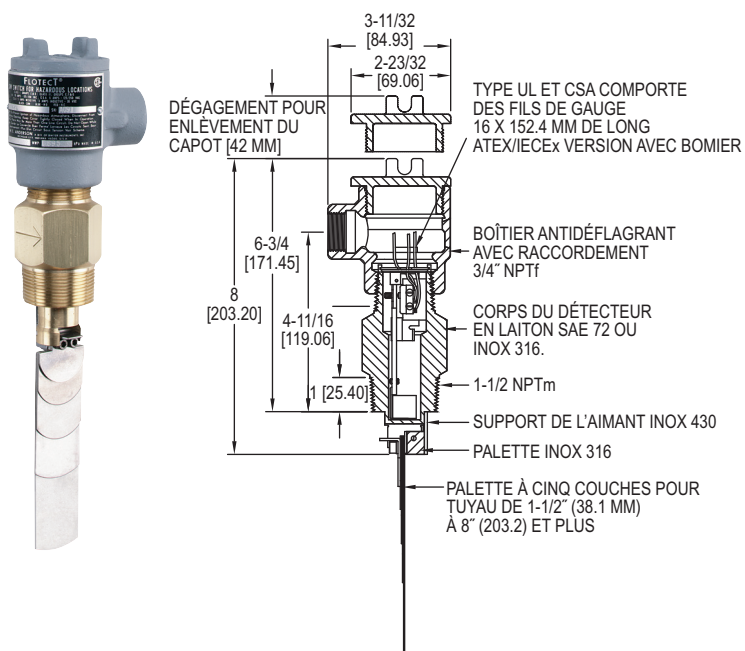
www.dwyer-inst.com  
e-mail: info@dwyermail.com





## Modele V4 FLOTECT® Détecteur de débit

### Spécifications – Instructions d'installation et de fonctionnement



**Robuste et fiable le détecteur de débit V4** se met en marche automatiquement pour protéger matériels et systèmes des dommages dus à la diminution ou la perte de débit. Installé dans des milliers de pipe-line et d'usine dans le monde entier. Ce détecteur à actionnement magnétique donne d'excellente performance. Il n'y a ni soufflet, ressort ou joint pouvant provoquer des disfonctionnement, la pale attire l'aimant monté dans le corps et actionne le contact au moyen d'un simple levier.

#### CARACTÉRISTIQUES

- Corps usiné dans la masse évitant les fuites
- Choix de pale spécifique pour votre application type V4 ou pale multi-couche ajustable Type V4-2U (voir tableau des seuils page 4)
- Étanche NEMA 4
- Antidéflagrant (voir liste spécification)
- Installation directe et facile sur tuyau avec pièce fileté à souder, Té ou bride (voir page 4 schéma d'installations)
- Utilisation de tuyau 1-1/2" et plus.
- L'ensemble électrique peut être remplacé sans démonter l'appareil de l'installation et ainsi ne pas arrêter le système.
- Maximum de pression 69 bar avec corps laiton et 138 bar corps inox 316.

#### APPLICATIONS

- Protection des pompes, moteurs et autres équipements contre les débits faibles ou inexistant.
- Contrôle progressif des pompes
- Démarrage automatiques des pompes et moteurs (auxiliaires)
- Stop les moteurs, machines et systèmes à refroidissement à eau quand le débit de liquide de refroidissement est interrompu.
- Ferme le brûleur quand l'air ne traverse plus la bobine chauffante.
- Contrôle les ressorts de rappel en fonction du débit.

#### SPECIFICATIONS

**Utilisation:** Gaz et liquides compatibles avec matériaux humidifiés.

**Matériaux humidifiés:** Palette: Inox 316; Corps: Laiton ou inox 316 (standard); Armature aimant: Inox 430 standard ou inox 316 en option; Options: Autres matériaux possibles nous consulter (ex : PVC, Hastelloy, Nickel, Monel, Titane).

**Températures limites:** -20 à 135°C en standard, Version MT Haute température 205°C [Option MT non homologuée UL, CSA, ATEX ou IECEx]. Options ATEX et IECEx: Température ambiante -20 à 73°C (-4 à 163°F); Température de fonctionnement -20 à 73°C (-4 à 163°F).

**Pressions limites:** Corps en laiton 69 bar, corps inox 138 bar, option 345 bar valable pour corps inox 316 et contact SPDT seulement.

**Protection:** Étanche et anti-déflagrant. Aux normes UL et CSA Classe I Groupe C et D; Classe II Groupe E, F et G

ATEX **CE** 2813 **Ex** II 2 G Ex db IIB T6 Gb -20°C ≤ Tamb ≤ 73°C.

-20°C ≤ Tfonct ≤ 73°C.

Certificat CE n° : KEMA 03 ATEX 2383.

Normes ATEX : EN60079-0: 2012 + A11: 2013; EN60079-1: 2014.

Certifié IECEx : Pour Ex db IIB T6 Gb -20°C ≤ Tamb ≤ 73°C.

-20°C ≤ Tfonct ≤ 73°C.

Certificat de conformité IECEx : IECEx DEK 11.0071.

Normes IECEx : IEC 60079-0: 2011; IEC 60079-1: 2014.

Zone I. Aussi qualifié FM.

**Micro-contact:** Standard contact SPDT, option contact DPDT.

**Pouvoir de coupure:** Modèles UL, FM, ATEX et IECEx 10A-125/250 Vca (V~).

Modèles CSA: 5A-125/250 Vca (V~); 5A résistif, 3A inductif 30 Vcc (V=).

Option MV: 1A-125 Vca (V~), 1A résistif 0,5A inductif -30 Vcc (V=).

Option MT: 5A-125/250 Vca (V~). [Options MT et MV non homologuées UL, CSA, FM, ATEX ou IECEx].

**Connexions électriques:** Modèles UL et CSA: Câble 18AWG, lg152mm; Modèles ATEX et IECEx: bornier.

**Raccordement électrique:** 3/4" NPTf ou M25 x 1,5 avec BSPT en option.

**Raccordement tuyauterie:** 1-1/2" NPTm ou filetage mâle BSPT 1 à 1/2 po (2,54 à 1,27 cm).

**Montage:** A +/-5° de la verticale en fonctionnement normal. Appareil pour montage horizontal sur commande (tuyauterie verticale avec débit montant).

**Réglage seuil:** Palette universelle: 5 combinaisons de palettes.

**Poids:** 1.9 kg.

#### Notes:

- Vérifier tous les paramètres donnés sur le produit et les instructions pour être sûr que le produit répond à votre application. Ne pas dépasser les limites électriques, de pression ou de température du produit.
- Déconnecter l'alimentation avant l'installation pour prévenir tout risque de dommage de l'équipement et chocs électriques.

#### MAINTENANCE

Inspecter et nettoyer les parties humidifiées à intervalles réguliers. Le couvercle doit être en place pour protéger les composants internes des saletés, poussières et intempéries et maintenir le niveau antidéflagrant. Pour prévenir toute explosion en atmosphère à risque déconnecter l'appareil du circuit d'alimentation avant ouverture. Les réparations seront effectuées par Dwyer Instruments, Inc. Tout appareil nécessitant une réparation doit être retourné en usine.

**DWYER INSTRUMENTS, INC.**  
P.O. BOX 373 • MICHIGAN CITY, INDIANA 46360, U.S.A.

Phone: 219-879-8000  
Fax: 219-872-9057

www.dwyer-inst.com  
e-mail: info@dwyermail.com

<b>Exemple</b>	V4	SS	3	1	6	C	F	2	S	1	V4-SS-316-C-F2S1
<b>Construction</b>	V4										Corps laiton – contact SPDT
<b>Options Construction</b>		SS 2 D U									Corps inox 316 Corps type 2 Contact DPDT Palette universelle (à supprimer pour palette spéciale)
<b>Armature Aimant</b>			1 3								Inox 430 (standard) Inox 316
<b>Matière palette</b>				1 2 3 4 5							Inox 316 (standard) Carpenter 20 Hastelloy B Hastelloy C Monel
<b>Matériaux Du Corps</b>					1 2 3 4 5 6 7						Laiton (standard) Carpenter 20 CPVC* Hastelloy B Hastelloy C Inox 316 (ensemble complet inox) Monel
<b>Autres Options</b>						AT BSPT IEC EPOXY FSV FTR HP HV MT MV NACE NB NH SW TBC TRD TRI V					ATEX Raccord process femelle BSPT 1 à 1/2 po (2,54 à 1,27 cm), raccord de conduit M25 x 1,5 IECEX Boîtier revêtement époxy Palette pleine à mouvement 180° (spécifique) Fourni avec PV contrôle débit Haute pression ( 345 bar) (uniquement version inox)* Palette à charnière (version avec bride) Haute température (voir spécifications)* Relais à contacts dorés (voir spécifications)* NACE traitement thermique du corps* Enveloppe néoprène* Pas de boîtier électrique* Corps à souder* Bornier * Relais temporisé (débit croissant)* Relais temporisé (débit décroissant)* Application pour débit vertical vers le haut
<b>Bride *</b>							F				Bride de raccordement tuyauterie
<b>Taille De la Bride</b>								2 2.5 3 4			2 " 2"1/2 3" 4"
<b>Matériaux De la Bride</b>									C S M B H		Acier carbone Inox 316 Monel Hastelloy B Hastelloy C
<b>Diamètre Résistance Bride</b>										1 3 6 9	150# (LBS) 300# (LBS) 600# (LBS) 900# (LBS)
<b>Réducteur *</b>							B				Raccordement avec pièce fileté sur tuyauterie
<b>Taille du réducteur</b>								1 2 4			2 " 2-1/2" 4 "
<b>Type de Réducteur</b>									H F		Hexagonal Affleurant
<b>Matériaux du réducteur</b>										B C S 4	Laiton Acier carbone Inox 316 Inox 304
<b>Té*</b>							T				Raccordement tuyauterie par Té
<b>Taille du Té</b>								1			1-1/2"
<b>Té avec Réducteur</b>							TB				Té avec filetage pour raccordement tuyauterie ( mêmes matières)
<b>Taille du Té</b>								2 3			2" 3"
<b>Matériaux Du Té</b>										B0 B1 B2 C CP S P	Laiton125# (LBS) Laiton150# (LBS) Laiton250# (LBS) Acier carbone 2000#(uniquement sur 2" et 3") PVC SCH80 au carbone Inox 316 150# (LBS) PVC SCH80

\*Options qui ne sont pas homologuées ATEX ou IECEX

Attention : appareils sans suffixe AT ne sont pas suivant la directive 2014/34/EU

(ATEX). Les appareils ne peuvent être utilisés en atmosphère à risque en Europe. Ceux-ci peuvent être marqués CE selon d'autres directives européennes.

**INSTALLATION**

1. Enlever les emballages du détecteur et le ruban de l'armature de l'aimant. ajuster la longueur de la palette si nécessaire, uniquement sur la palette multi-couches (voir tableau des débits en dernière page). Installer le détecteur dans le 'thrédolet' préalablement soudé au tuyau. Dans certain cas, il peut être nécessaire d'installer le détecteur avec une bride ou un Tê (voir dessin en dernière page).

Note : Un grand soin doit être apporté à la soudure de l'accessoire sur le tuyau de sorte qu'il soit perpendiculaire à celle-ci.

**RÉGLAGE DE LA PALETTE MULTI-COUCHE**

Retirer seulement les couches trop longues. Laisser les couches les plus petites pour renforcer la palette.

La palette la plus longue est pour un tuyau de 150mm ou plus, la deuxième longueur de palette pour un tuyau de 100mm etc.... Niveau d'enclenchement et de désenclenchement sont donnés dans le tableau en dernière page. Pour retirer les couches de la palette, procéder comme suit

- a) Enlever deux vis et rondelles grower assemblant les couches. Ne pas perdre les vis et rondelle en inox 316 résistant spécialement à la corrosion.
- b) Enlever les couches non nécessaires
- c) Remonter la palette avec les 2 vis et rondelles grower.

c1) En cas d'utilisation d'un produit avec le bloc équipé d'une palette en acier inoxydable 316 en option, une deuxième paire de vis est incluse dans l'emballage. Refixer la palette avec les bonnes vis selon les instructions ci-dessous :

Nombre de palettes utilisées	Utiliser des vis de
1, 2	7/16" (incluses dans la boîte)
3, 4, 5	1/2" (pré-installées)

- d) Avec un marteau, marteler légèrement la tête des vis de sorte qu'elles ne puissent pas bouger
- e) Si vous perdez les vis et les rondelles, ne remplacer pas ces pièces par des pièces pouvant se corroder ou se casser. Le remplacement supprimera la garantie et peut causer de gros dégâts aux équipements placés en aval du détecteur.

**Note:** les palettes spécifiques sont calibrées en usine pour répondre aux demandes. Ne pas leur faire subir de modifications

2. La flèche sur le côté du détecteur doit être dans le sens du débit.
3. Câblage: Modèle UL et CSA seulement ; enfiler les fils de câblage à travers les conduits et les raccorder suivant le code électrique en vigueur  
 Noir : commun  
 Bleu : NO (Normalement ouvert)  
 Rouge : NC (Normalement fermé)

**Note:** Double pôle, détecteur double avec 2 fils noirs, 2 bleu et 2 rouge. A connecter comme simple pôle , comme ci-dessus

Instructions d'installation ATEX et IECEX:  
 Branchement des câbles

Le dispositif d'entrée des câbles sera certifié dans un type d'enceinte « d » ignifuge à l'épreuve des explosions, approprié pour les conditions d'utilisation et correctement installé. L'entrée des câbles peut excéder 70 °C. Des conducteurs et une traversée de câble ≥95 °C nominal seront utilisés.

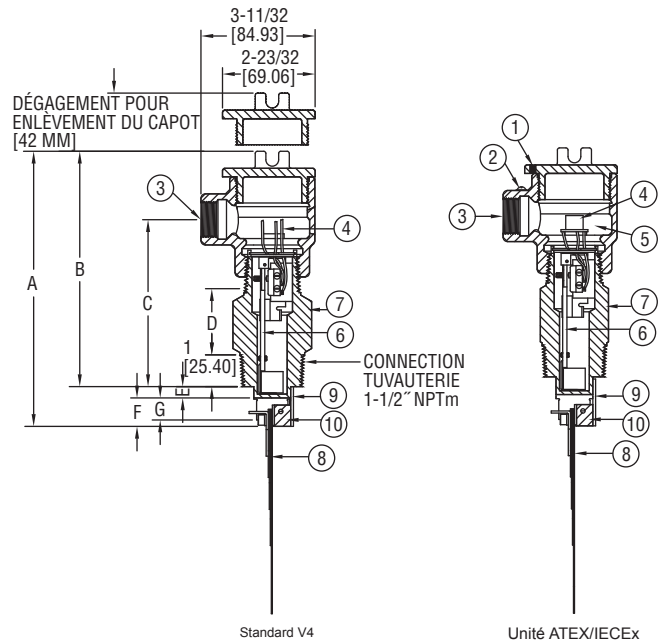
**Raccord des conduits**

Un dispositif scellant Ex certifié d comme un scellant de conduit avec un composé solidifiant sera fourni immédiatement à l'entrée du logement de valve. L'entrée des câbles peut excéder 70 °C. Des conducteurs et une traversée de câble ≥95 °C nominal seront utilisés.

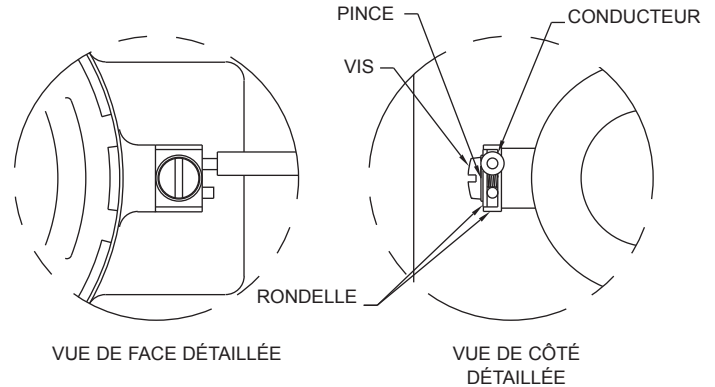
**Note:** le détecteur est désactivé et les contacts en positions normales quand le débit est inexistant.

4. S'assurer que le conduit et câble sont correctement scellés. Les composants électriques doivent être constamment à l'abri des moisissures et de la condensation. **Attention:** pour prévenir toute explosion en atmosphère à risque, déconnecter l'alimentation de l'appareil avant l'ouverture. Maintenir l'appareil fermé en fonctionnement.

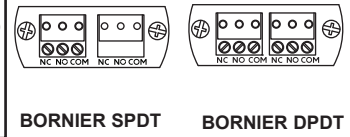
REMARQUE : Unités ATEX et IECEX uniquement : la classe de température est déterminée par la température maximale ambiante ou par la température de fonctionnement. Les unités sont conçues pour être utilisées à des températures ambiantes correspondant à -20 °C ≤ Tamb ≤ 73 °C. Les unités peuvent être utilisées à des températures de fonctionnement allant jusqu'à 133 °C à condition que la température du corps du boîtier et du flussostat ne dépasse pas 73 °C. La classe de température standard est la T6 Temp. de fonctionnement ≤ 73 °C.



5. Pour les unités fournies avec, à la fois, des bornes de terre internes et des bornes de raccordement externes, la vis de terre située dans le boîtier doit être utilisée pour relier le contrôle à la terre. La borne à vis externe permet un raccordement supplémentaire quand cela est possible ou quand cela est exigé par le code local. Quand un conducteur d'équipotentialité est requis, le conducteur doit être enroulé à 180° autour de la borne à vis externe. Voir ci-dessous.



Dim	V4 in (mm)	V4-2 in (mm)
A	8-3/16 (207.96)	8 (203.20)
B	6 (152.40)	6-3/4 (171.45)
C	4-11/16 (119.06)	3-15/16 (100.01)
D	1 (25.40)	1-3/4 (44.45)
E	1-5/16 (33.34)	9/16 (14.30)
F	7/8 (22.23)	11/16 (17.63)
G	11/16 (17.46)	1/2 (12.70)



Ref #	Standard V4	Unité ATEX/IECEX
1	N/A	Fermeture couvercle
2	N/A	Masse externe
3	Boîtier antidéflagrant avec connection tuyauterie 3/4" NPTf	Boîtier antidéflagrant avec connection tuyauterie 3/4" NPTf
4	Câble 16 AWG longueur 152mm	Bornier
5	Interne	Masse interne
6	Ensemble armature aimant et micro-contact	Ensemble armature aimant et micro-contact
7	Détecteur en laitonSAE72 ou inox 316	Détecteur en laiton SAE72 ou inox 316
8	Palette 5 couches, inox 316. Destinée à des tuyau de 1/2 à 8". Utilisable pour des tuyaux plus large.	Palette 5 couches, inox 316. Destinée à des tuyau de 1/2 à 8". Utilisable pour des tuyaux plus large.
9	Armature aimant en inox 430	Armature aimant en inox 430
10	Bloc palette en inox 316	Bloc palette en inox 316

## Tableau des débits pour palette V4 universelle

Les valeurs des deux tableaux sont nominales. Si les débits normaux n'excèdent pas 10% du seuil d'activation, des palettes spécifiques sont recommandées. Les chiffres sont données pour une installation standard verticale dans un 'thrédolet' 1-1/2" dans un tuyau d'écoulement horizontal.

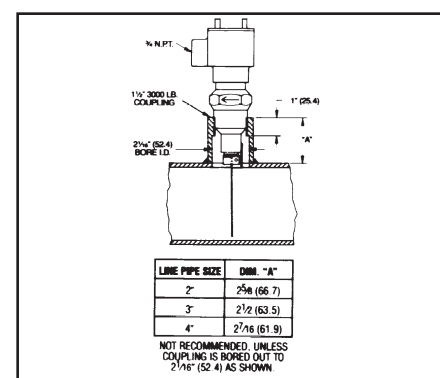
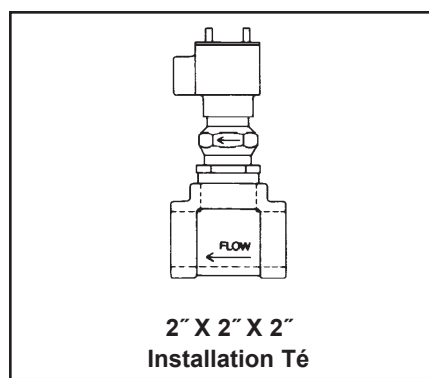
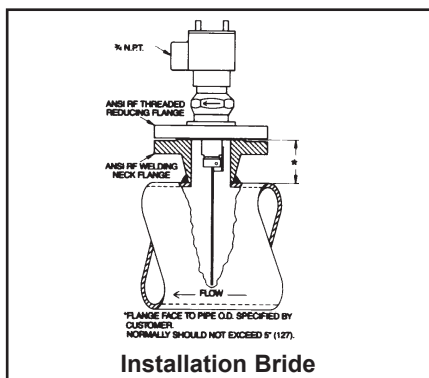
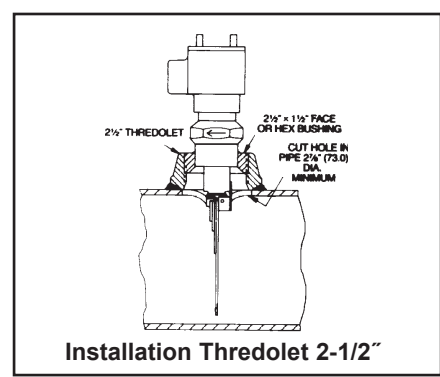
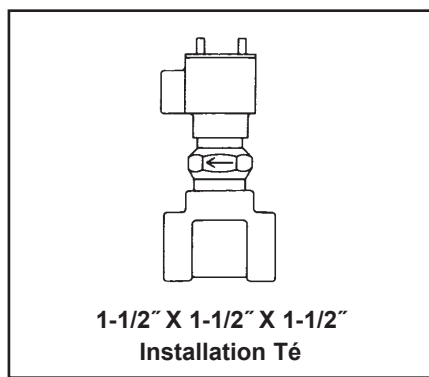
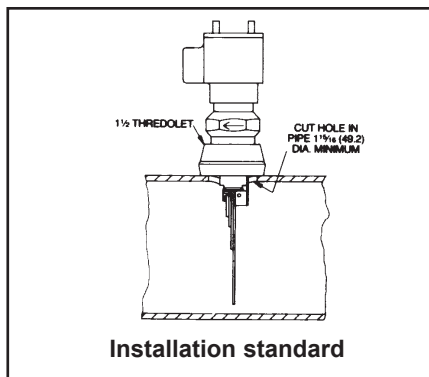
Taux approximatifs d'activation – désactivation du débit pour l'eau froide Chiffres supérieurs en GPM et chiffres inférieurs en LPM												
Couche s de la palette	Tuyau 38.1mm 1.5"	Tuyau 50.8mm 2"	Tuyau 76.2mm 3"	Tuyau 101.6mm 4"	Tuyau 152.4mm 6"	Tuyau 203.2 mm 8"	Tuyau 254 mm 10"	Tuyau 304.8 mm 12"	Tuyau 355.6 mm 14"	Tuyau 406.4 mm 16"	Tuyau 457.2 mm 18"	Tuyau 508 mm 25"
1	7-3 26.67-11.67	15-8 56.7-30	45-22 167-83.3	95-40 367-150	210-120 800-450	375-175 1417-667	600-300 2267-1133	900-450 3400-1700	1200-600 4550-2267	1400-800 5300-3033	2000-1000 7567-3783	2400-1200 9083-4550
1&2		7-4 26.7-15	23-14 86.7-53.3	50-35 190-132	130-90 500-333	230-150 867-567	450-250 1700-950	650-350 2467-1317	900-500 3400-1900	1200-650 4550-2467	1450-800 5483-3033	1800-1000 6817-3783
1,2,&3			11-7 41.7-26.7	27-19 102-71.7	80-60 300-233	160-115 600-433	300-180 1133-683	450-275 1700-1033	600-350 2267-1317	750-450 2750-2083	1000-600 3783-2267	1200-700 4550-2650
1,2,3,&4				17-12 65-45	60-45 233-167	120-90 450-333	230-150 867-567	310-200 1167-750	430-280 1633-1067	550-360 2083-1367	700-450 2650-1700	850-550 3217-2083
1,2,3,4, &5					40-30 152-113	80-65 300-250	135-100 517-383	200-140 750-533	290-200 1100-750	360-250 1367-950	460-325 1733-1233	575-400 2183-1517

Les taux d'activation sont basés sur une densité de 1 pour l'eau froide. Pour les fluides de densités différentes, le taux d'activation peut être approché en divisant le taux donné par la racine carrée de la densité.

Taux approximatifs d'activation – désactivation du débit pour l'air Chiffres supérieurs en SCFM et chiffres inférieurs en LPS												
Couche s de la palette	Tuyau 38.1mm 1.5"	Tuyau 50.8mm 2"	Tuyau 76.2mm 3"	Tuyau 101.6mm 4"	Tuyau 152.4mm 6"	Tuyau 203.2 mm 8"	Tuyau 254 mm 10"	Tuyau 304.8 mm 12"	Tuyau 355.6 mm 14"	Tuyau 406.4 mm 16"	Tuyau 457.2 mm 18"	Tuyau 508 mm 25"
1	32-17 15-8	65-32 30-20	210-105 100-50	400-200 190-90	950-475 450-220	1550-850 730-400	2400-1300 1100-600	3450-1900 1600-900	4700-2600 2200-1200	6400-3500 3000-1700	8000-4400 3800-2100	10000-5500 4700-2600
1&2		23-13 10-6	120-70 60-30	195-140 90-70	550-375 260-180	1100-700 520-330	1850-1200 870-570	2700-1750 1300-800	3400-2200 1600-1000	4800-3100 2300-1500	6000-3900 2800-1800	7400-4800 3500-2300
1,2,&3			60-48 30-20	135-100 60-50	375-265 180-130	725-500 340-240	1200-850 570-400	1850-1300 870-610	2600-1800 1200-800	3350-2350 1600-1100	4300-3000 2000-1400	5300-3700 2500-1700
1,2,3,&4				65-50 30-20	260-200 120-90	500-400 240-190	875-700 410-330	1250-1000 590-470	1900-1500 900-710	2500-2000 1200-900	3100-2500 1500-1200	3900-3100 1800-1500
1,2,3,4, &5					130-100 60-50	310-250 150-120	650-525 310-250	1000-800 470-380	1600-1250 760-590	2200-1750 1040-830	2800-2250 1300-1100	3550-2850 1700-1300

Les taux d'activation sont basés sur des conditions normales pour l'air. Pour des gaz à d'autres pressions, température ou densité différente, consulter l'usine pour obtenir les équivalents approximatifs des débits.

### Illustrations d'installations de détecteurs automatiques de débit FLOTECT



DWYER INSTRUMENTS, INC.  
P.O. BOX 373 • MICHIGAN CITY, INDIANA 46360, U.S.A.

Phone: 219-879-8000  
Fax: 219-872-9057

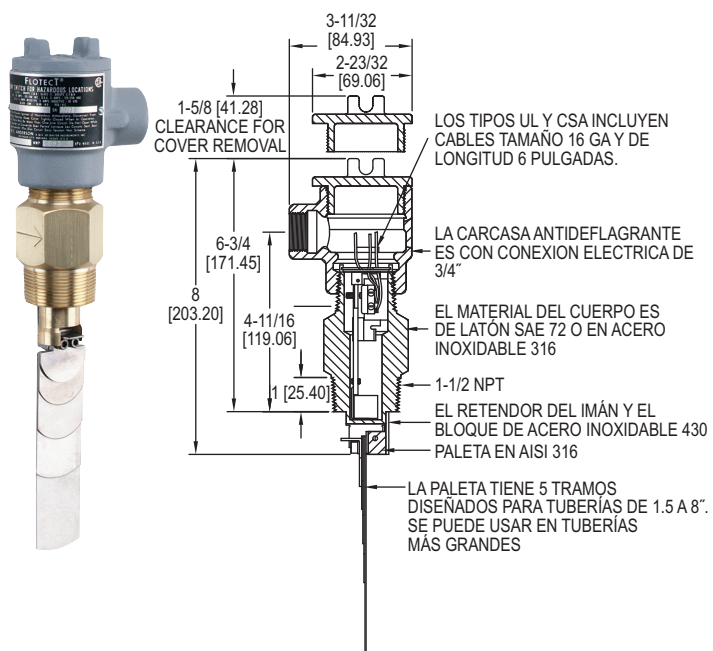
www.dwyer-inst.com  
e-mail: info@dwyermail.com



Serie  
V4

**FLOTECT®** Interruptor de Caudal

## Especificaciones – Instrucciones de Instalación y Operación



El interruptor de caudal Flotec V4 opera automáticamente para proteger a los equipos y sistemas de tuberías contra el daño producido por el aumento o descenso del caudal. El V4, sobradamente probado, se ha instalado en miles de tuberías y plantas de procesos en todo el mundo. El diseño único del contacto le confiere una actuación superior. No existen muelles, resortes, o sellos que se puedan romper. En su lugar, una paleta de libre movimiento atrae a un imán al cuerpo del metal sólido, actuando el contacto de un nivel de alarma.

### CARACTERÍSTICAS

- Cuerpo a prueba de fugas
- Elegir la paleta apropiada para cada aplicación
- Weatherproof, diseñado para NEMA 4, IP66
- Explosionproof (listado incluido en las especificaciones)
- Instalación directa y fácil en la tubería con rosca "t" o brida (ver dibujos en página 4)
- Se puede usar en tuberías a partir de 1-1/2"
- El equipo eléctrico se puede sustituir sin quitar la unidad de la instalación, así el proceso no tiene que pararse
- Rating de alta presión 1000 psig (69 bar) para las unidades con cuerpo de latón de 2000 psig (138 bar) para las de cuerpo de 316 SS.

### APLICACIONES

- Protección a bombas, motores y otros equipos contra el caudal alto o bajo
- Controles secuenciales de operaciones de bombas
- Arranques automáticos de bombas y motores
- Paradas en sistemas de refrigeración en motores, máquinas y procesos cuando se produce una interrupción en el fluido del refrigerante
- Paradas de quemadores cuando deja de pasar el aire a través del calentador
- Control de detenciones de acuerdo con el caudal

### ESPECIFICACIONES

**Servicio:** Gases o líquidos compatibles con los materiales de las partes mojadas.

**Materiales de las partes mojadas:** Paleta: 316 SS; Cuerpo: Latón o 316 SS; Imán: 430 SS estándar, opcional 316 SS; Opciones: Consultar a fábrica para disponibilidad de otros materiales (PVC, hastelloy, nickel, monel, titanio).

**Límite de temperatura:** -4 +275°F (-20 +135°C) estándar, opción de alta temperatura hasta 400°F (205°C) [opción MT no aprobada por UL, CSA, ATEX o IECEx]. Opciones con ATEX y IECEx : temperatura ambiente -20 a 73 °C (-4 a 163 °F); temperatura de proceso -20 a 73 °C (-4 a 163 °F).

**Límite de presión:** Cuerpo de latón 1000 psig (69 bar), cuerpo de 316 SS 2000 psig (138 bar), opcional 5000 psig (345 bar) disponible con cuerpo 316 SS y contacto SPDT únicamente.

**Rating de protección:** Weatherproof y explosionproof. Certificación UL y CSA para Clase I, Grupos C y D, Clase II, Grupos E, F y G.

ATEX **CE** 2813 **Ex** II 2 G Ex db IIB T6 Gb -20 °C ≤ Temp. amb. ≤ 73 °C. -20 °C ≤ Temp. de proceso ≤ 73 °C.

Núm. certificado tipo EU: KEMA 03 ATEX 2383.

Estándares ATEX: EN60079-0: 2012 + A11: 2013; EN60079-1: 2014.

Certificado IECEx: Para Ex db IIB T6 Gb -20 °C ≤ Temp. amb. ≤ 73 °C.

-20 °C ≤ Temp. de proceso ≤ 73 °C.

Certificado de cumplimiento IECEx: IECEx DEK 11.0071.

Normas IECEx: IEC 60079-0: 2011; IEC 60079-1: 2014.

**Tipo de contacto:** SPDT snap switch estándar, opcional DPDT snap switch.

**Rating eléctrico:** Modelos UL, FM, ATEX y IECEx: 10A @ 125/250 VAC (V~).

Modelos CSA: 5A @ 125/250 VAC (V~); 5A res., 3A ind. @ 30 VDC (V---). Opción

MV: 1A @ 125 VAC (V~); 1A res., .5A ind. @ 30 VDC (V---). Opción MT: 5A @

125/250 VAC (V~). [Opciones MT y MV no aprobadas por UL, CSA, FM, ATEX o IECEx].

**Conexiones eléctricas:** Modelos UL y CSA: 16 AWG, longitud: 6" (152 mm.)

Unidades ATEX y IECEx: bloque de terminales.

**Conductos eléctrico:** 3/4" NPT-H o M25 x 1,5 con opción de - BSPT.

**Conexión a proceso:** 1-1/2" NPT-M o BSPT macho de 1-1/2" (3,81 cm).

**Orientación de montaje:** En 5° de la orientación vertical apropiada. Existen

modelos disponibles para montajes horizontales.

**Ajuste de punto de disparo:** Paleta universal. Cinco combinaciones posibles.

**Peso:** 4 lb 8 oz (1,9 kg).

### Notas:

- Comprobar los ratings dados en las instrucciones y en el producto para asegurarse de que el equipo es el adecuado para la aplicación. No exceder de los ratings eléctricos, ratings de presión, o ratings de temperatura del producto.

- Desconectar la alimentación antes de empezar la instalación para prevenir posibles daños en el equipo o picos eléctricos.

### MANTENIMIENTO

Inspeccionar y limpiar las partes húmedas con regularidad. La tapadera debe estar en su sitio siempre para proteger los componentes internos de suciedad, polvo, y el tiempo, y para mantener los ratings de localizaciones peligrosas. Desconectar el equipo de los circuitos de alimentación antes de abrirlo para evitar ignición de atmósfera explosiva. Reparaciones deben ser echas por Dwyer Instruments, Inc. Los equipos para reparación deben enviarse a fábrica.

**DWYER INSTRUMENTS, INC.**  
P.O. BOX 373 • MICHIGAN CITY, INDIANA 46360, U.S.A.

Phone: 219-879-8000

Fax: 219-872-9057

www.dwyer-inst.com

e-mail: info@dwyermail.com



Ejemplo	V4	SS	3	1	6	C	F	2	S	1	V4-SS-316-C-F2S1
Construcción	V4										Cuerpo de latón, contacto SPDT
Opciones de construcción		SS 2 D U									Cuerpo 316 SS Estilo de cuerpo tipo 2 Contacto DPDT Paleta universal (omitir para paletas especiales)
Opciones de material del imán			1 3								430 SS (estándar) 316 SS
Opciones de material de la paleta				1 2 3 4 5							316 SS (estándar) Carpenter 20 Hastelloy B Hastelloy C Monel
Opciones de material del cuerpo					1 2 3 4 5 6 7						Latón (estándar) Carpenter 20 CPVC* Hastelloy B Hastelloy C 316 SS Monel
Otras opciones					AT BSPT  IEC EPOXY FSV FTR HP HV MT MV NACE NB NH SW TBC TRD TRI V						ATEX Conexión de proceso de BSPT hembra de 1-1/2" (3,81 cm), M25 x 1,5, conexión de conducto IECEX Alojamiento con epoxi Paleta con completo desplazamiento Informe de test de caudal Presión alta*, 5000 psi (345 bar) (solo con cuerpo en SS) Paleta de bisagra Alta temperatura* (ver especificaciones para el rating) Interruptor con contactos dorados* (ver especificaciones para el rating) Cuerpo NACE* Boot de neopreno* Alojamiento no eléctrico* Conexión soldada* Conexiones eléctricas en un bloque terminal* Relé de retardo de actuación* (en descenso de caudal) Relé de retardo de actuación* (en ascenso de caudal) Aplicaciones verticales
Brida*							F				Conexión a proceso bridada
Tamaño de la brida								2 2.5 3 4			2" 2-1/2" 3" 4"
Material de la brida									C S M B H		Acero carbono 316 SS Monel Hastelloy B Hastelloy C
Rating de la brida										1 3 6	150# 300# 600# 900#
Casquillo*							B			9	Conexión a proceso del casquillo
Tamaño del casquillo								1 2 4			2" 2-1/2" 4"
Tipo de casquillo									H F		Hexagonal Superficial
Material del casquillo									B C S 4		Latón Acero carbono 316 SS 304 SS
							T				Conexión de proceso con "T"
"T"								1			1-1/2"
Tamaño de la "T"							TB				Conexión a proceso de "T" con casquillo (igual material ambos)
"T" con casquillo*								2 3			2" 3"
Tamaño de la "T"											
Material y tipo de la "T"									B0 B1 B2 C CP S P		Latón 125 # Latón 150 # Latón 250 # Acero carbono 2000 #(solo con 2" y 3") CPVC SCH 80 316 SS 150 # PVC SCH 80

\*Opciones que no tienen ATEX o IECEX

**Atención:** Las unidades sin el sufijo "AT" no cumplen con la Directiva 2014/34/EU (ATEX). Estas unidades no son válidas para uso en atmósferas potencialmente peligrosas en Europa. Estas unidades pueden ser marcadas con "CE" para otras Directivas de Europa.

**INSTALACIÓN:**

1. Quitar el material del embalaje del interruptor y quitar la tapa del protector del imán. Ajustar la longitud de la paleta si fuera necesario, solamente en paletas de múltiples capas (ver los rangos de caudal en la página siguiente). Instalar el interruptor en el ajuste previamente soldado a la línea. En algunos casos, es necesario instalar el interruptor en una brida o una "T" (ver dibujos de instalación en la página siguiente).

Nota: al soldar el ajuste a la línea, extremar la precaución ya que debe estar totalmente nivelado.

**AJUSTE DE LA PALETA DE MÚLTIPLES HOJAS:**

Quitar sólo las hojas que sean demasiado largas. Dejar las hojas pequeñas para reforzar la paleta. La hoja más larga es de 6" (150 mm), la segunda de 4" (100 mm), ...Los rangos de actuación/deactuación se muestran en la página siguiente. Para quitar las hojas, proceder como se indica:

- a. Quitar los dos tornillos que mantienen las hojas unidas. No perder estos tornillos resistentes a la corrosión, en AISI316.
- b. Quitar las hojas que no sean necesarias.
- c. Reasegurar la paleta con los tornillos originales.
  - c1. Si el producto utilizado cuenta con la opción de bloqueo de aletas con clasificación 316SS, este incluye un segundo par de tornillos en el paquete. Volver a asegurar la aleta con los tornillos correctos como se muestra a continuación:

No. de aletas usadas	Longitud del tornillo a utilizar
1, 2	7/16" (incluido en la caja)
3, 4, 5	1/2" (preinstalado)

- d. Con un martillo, golpear suavemente el final de los tornillos para que no se puedan soltar.
- e. Si pierde los tornillos no los sustituya por otros cualquiera que se puedan corrosionar o romper. Esto anularía la garantía y puede causar daño en el equipo.

**Nota:** Las unidades con paleta personalizada deben calibrarse en fábrica para ajustarse a los requerimientos. No cambiar.

2. La punta de la flecha del lateral debe apuntar en la dirección del caudal.
3. Cableado: Unidades UL y CSA: llevar los cables a través de los agujeros de conexión y conectar. Cablear de acuerdo con los códigos locales eléctricos.  
Negro - Común  
Azul - Normalmente abierto  
Rojo - Normalmente cerrado

**Nota:** El micro DPDT tiene dobles cables negros, azules y rojos. Están conectados de la misma forma que los de SPDT descritos arriba.

**Instrucciones de instalación de ATEX y IECEX:**

**Conexión del cable**

El dispositivo de entrada de cable debe tener certificación para caja resistente al fuego con protección contra explosiones tipo "d", adecuada para las condiciones de uso e instalada correctamente. La entrada del cable puede superar los 70 °C. Deben usarse conductores y manga para cables con clasificación de ≥95 °C.

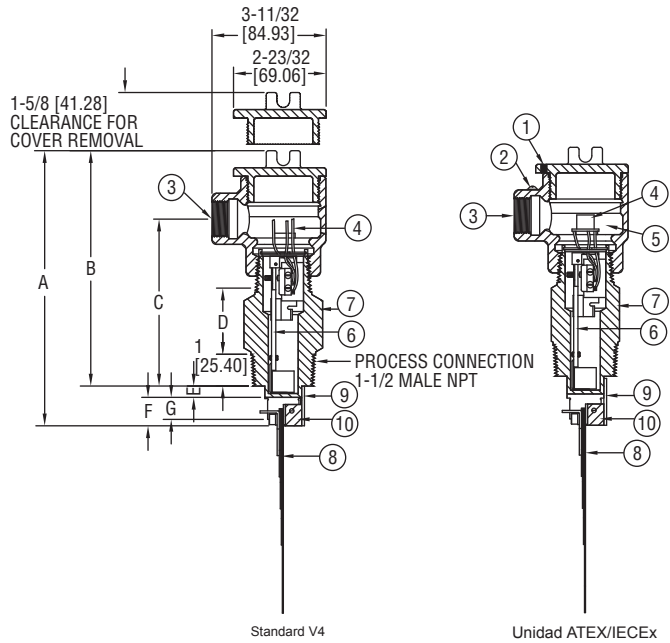
**Conexión de conducto**

Se debe usar un dispositivo con certificación Ex d, como por ejemplo, un sello de conducto con un compuesto endurecedor inmediatamente en la entrada del compartimento de la válvula. La entrada del cable puede superar los 70 °C. Deben usarse conductores y manga para cables con clasificación de ≥95 °C.

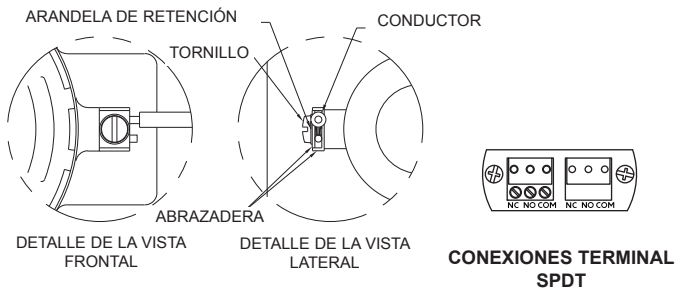
**Nota:** El interruptor se desactiva y los contactos están en condición normal cuando no haya caudal en la línea.

4. Asegurarse que los conductos o cables están correctamente sellados. Los componentes eléctricos deben mantenerse libres de humedad, incluida la condensación, en todo momento. Precaución: para prevenir la ignición en atmósferas explosivas, desconectar el equipo de la alimentación antes de abrirlo. Mantener la carcasa firmemente cerrada cuando el equipo esté funcionando.

**NOTA: Solo para equipos ATEX y IECEX:** La clase de temperatura está determinada por la temperatura máxima ambiente o de proceso. Las unidades están hechas para usarse en ambientes de -20 °C a Temp. amb. ≤73 °C. Las unidades pueden usarse en temperaturas de proceso de hasta 133 °C siempre que la temperatura de la caja y del cuerpo del interruptor no supere los 73 °C. La clase de temperatura estándar es T6, temperatura de proceso ≤73 °C.



5. Para los equipos que se suministren con tomas de tierra interna y externa, el tornillo de tierra del interior del alojamiento debe usarse para conectar el control a tierra. El tornillo de conexión externo es para realizar una conexión adicional cuando sea permitido o requerido por las normas locales. Cuando se requiere el conductor de conexión externo, este debe envolverse un mínimo de 180° alrededor del tornillo de conexión externo. Ver a continuación.



Dim	V4 in (mm)	V4-2 in (mm)
A	8-3/16 (207.96)	8 (203.20)
B	6 (152.40)	6-3/4 (171.45)
C	4-11/16 (119.06)	3-15/16 (100.01)
D	1 (25.40)	1-3/4 (44.45)
E	1-5/16 (33.34)	9/16 (14.30)
F	7/8 (22.23)	11/16 (17.63)
G	11/16 (17.46)	1/2 (12.70)

**CONEXIONES TERMINAL SPDT**



**CONEXIONES TERMINAL DPDT**

Ref #	Standard V4	Unidad ATEX/IECEX
1	N/A	Cierre de bloqueo.
2	N/A	Tierra externo.
3	Alojamiento explosion proof con conducto de conexión de 3/4" NPT-H.	Alojamiento explosion proof con conducto de conexión de 3/4" NPT-H.
4	16 AWG, 6" (152 mm) de longitud.	Bloque terminal
5	Interno	Tierra interno.
6	Brazo imantado y contacto de montaje.	Brazo imantado y contacto de montaje.
7	Cuerpo SAE 72 acero o acero inoxidable 316 SS.	Cuerpo SAE 72 acero o acero inoxidable 316 SS.
8	Paleta de 5 hojas, en acero inox 316 SS, diseñada para tuberías desde 1/2" a 8".	Paleta de 5 hojas, en acero inox 316 SS, diseñada para tuberías desde 1/2" a 8".
9	Retenedor del imán de Acero inoxidable 430.	Retenedor del imán de Acero inoxidable 430.
10	Bloque de hojas de acero inox 316 SS.	Bloque de hojas de acero inox 316 SS.

## Tablas de Caudal de V4

Los valores mostrados son nominales. Si el caudal normal excede en los rangos de actuación por lo menos en us 10%, se recomiendan paletas personalizadas. Los datos se basan en una instalación vertical para tuberías horizontales.

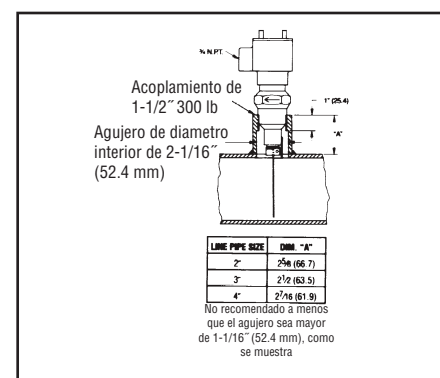
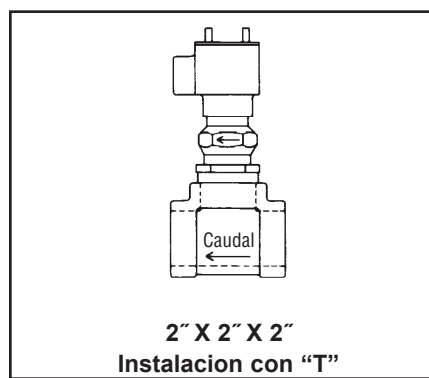
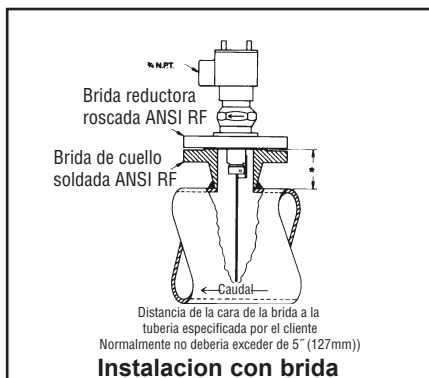
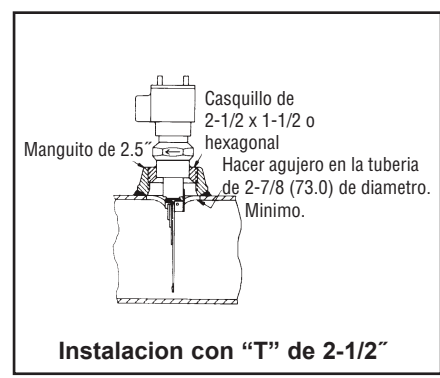
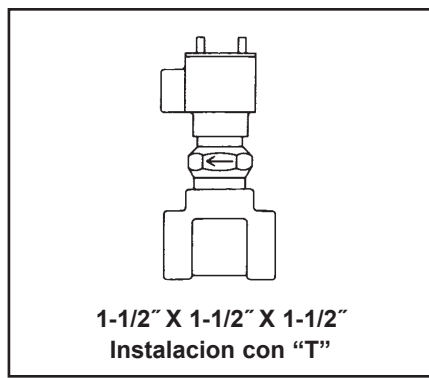
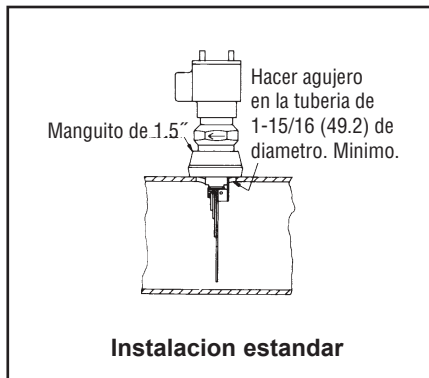
RANGOS DE CAUDAL DE ACTUACION/DEACTUACION APROXIMADA PARA AGUA FRIA VALORES SUPERIORES EN GPM. VALORES INFERIORES EN LPM												
HOJAS DE PALETA	Tubería 1.5"	Tubería 2"	Tubería 3"	Tubería 4"	Tubería 6"	Tubería 8"	Tubería 10"	Tubería 12"	Tubería 14"	Tubería 16"	Tubería 18"	Tubería 20"
1	7-3 26.67-11.67	15-8 56.7-30	45-22 167-83.3	95-40 367-150	210-120 800-450	375-175 1417-667	600-300 2267-1133	900-450 3400-1700	1200-600 4550-2267	1400-800 5300-3033	2000-1000 7567-3783	2400-1200 9083-4550
1&2		7-4 26.7-15	23-14 86.7-53.3	50-35 190-132	130-90 500-333	230-150 867-567	450-250 1700-950	650-350 2467-1317	900-500 3400-1900	1200-650 4550-2467	1450-800 5483-3033	1800-1000 6817-3783
1,2,&3			11-7 41.7-26.7	27-19 102-71.7	80-60 300-233	160-115 600-433	300-180 1133-683	450-275 1700-1033	600-350 2267-1317	750-450 2750-2083	1000-600 3783-2267	1200-700 4550-2650
1,2,3,&4				17-12 65-45	60-45 233-167	120-90 450-333	230-150 867-567	310-200 1167-750	430-280 1633-1067	550-360 2083-1367	700-450 2650-1700	850-550 3217-2083
1,2,3,4,&5					40-30 152-113	80-65 300-250	135-100 517-383	200-140 750-533	290-200 1100-750	360-250 1367-950	460-325 1733-1233	575-400 2183-1517

Rangos de actuación basados en agua fría con peso específico de 1.0. Para fluidos con diferente peso específico los rangos de actuación pueden aproximarse dividiendo la cifra mostrada por la raíz cuadrada del peso específico.

RANGOS DE CAUDAL DE ACTUACION/DEACTUACION APROXIMADA PARA AIRE VALORES SUPERIORES EN SCFM. VALORES INFERIORES EN LPS												
HOJAS DE PALETA	Tubería 1.5"	Tubería 2"	Tubería 3"	Tubería 4"	Tubería 6"	Tubería 8"	Tubería 10"	Tubería 12"	Tubería 14"	Tubería 16"	Tubería 18"	Tubería 20"
1	32-17 15-8	65-32 30-20	210-105 100-50	400-200 190-90	950-475 450-220	1550-850 730-400	2400-1300 1100-600	3450-1900 1600-900	4700-2600 2200-1200	6400-3500 3000-1700	8000-4400 3800-2100	10000-5500 4700-2600
1&2		23-13 10-6	120-70 60-30	195-140 90-70	550-375 260-180	1100-700 520-330	1850-1200 870-570	2700-1750 1300-800	3400-2200 1600-1000	4800-3100 2300-1500	6000-3900 2800-1800	7400-4800 3500-2300
1,2,&3			60-48 30-20	135-100 60-50	375-265 180-130	725-500 340-240	1200-850 570-400	1850-1300 870-610	2600-1800 1200-800	3350-2350 1600-1100	4300-3000 2000-1400	5300-3700 2500-1700
1,2,3,&4				65-50 30-20	260-200 120-90	500-400 240-190	875-700 410-330	1250-1000 590-470	1900-1500 900-710	2500-2000 1200-900	3100-2500 1500-1200	3900-3100 1800-1500
1,2,3,4,&5					130-100 60-50	310-250 150-120	650-525 310-250	1000-800 470-380	1600-1250 760-590	2200-1750 1040-830	2800-2250 1300-1100	3550-2850 1700-1300

Rangos de actuación basados en condiciones estándar de aire. Para gases a otras presiones, temperaturas o peso específico, consultar a fábrica para equivalencias de caudal.

### ESQUEMAS DE INSTALACION PARA INTERRUPTORES DE CAUDAL FLOTEC



©Copyright 2020 Dwyer Instruments, Inc.

Printed in U.S.A. 7/20

FR# 82-440629-10 Rev. 7

**DWYER INSTRUMENTS, INC.**  
P.O. BOX 373 • MICHIGAN CITY, INDIANA 46360, U.S.A.

Phone: 219-879-8000  
Fax: 219-872-9057

www.dwyer-inst.com  
e-mail: info@dwyermail.com