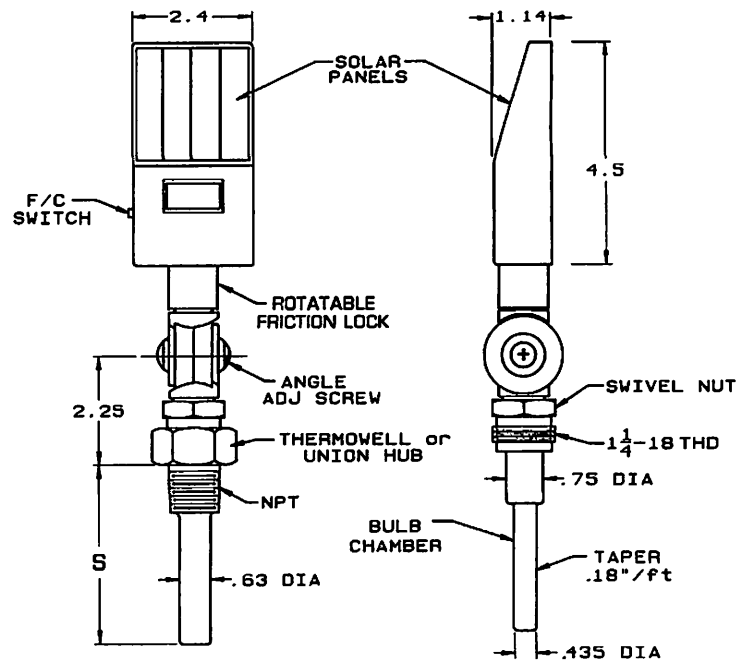


INSTALLATION / ADJUSTMENT INSTRUCTIONS

1. Install thermowell, flange or union to apparatus.
2. Preset Case Position Angle.
 - a) Loosen angle adjusting screw 1-1½ turns.
 - b) Carefully rotate case/joint to correct position angle.
 - c) Tighten angle adjusting screw.

NOTICE Do not overtighten screw. Do not exceed 1/4 turn past snug-tight.

3. Assemble thermometer into thermowell, flange or union. Set case position to best viewing angle. Tighten 1¼ hex brass locknut.
4. Adjust/ final set thermometer case for best view of scale and indicator. Turn case for best viewing angle.



Patent No. 5,196,781 / D 385,499