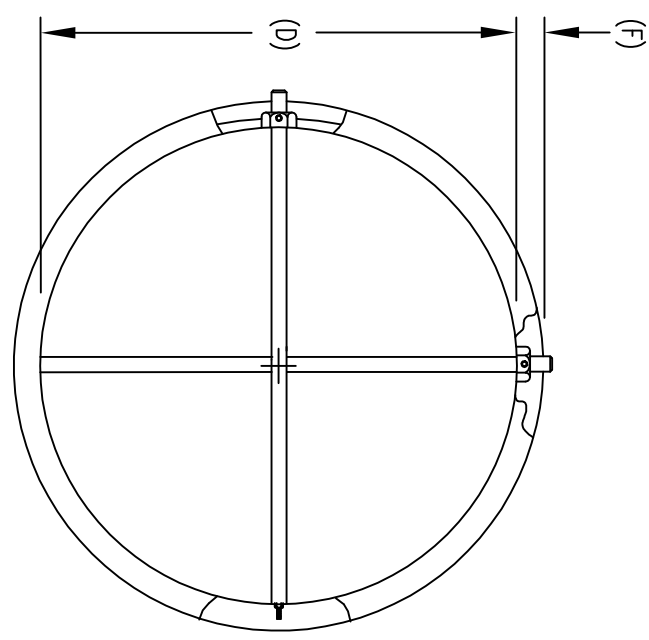
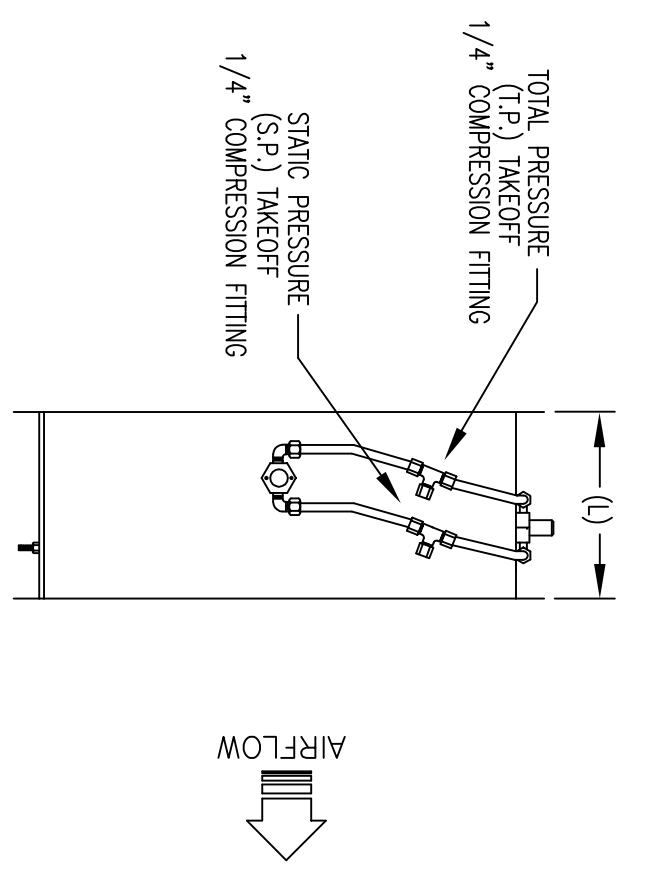
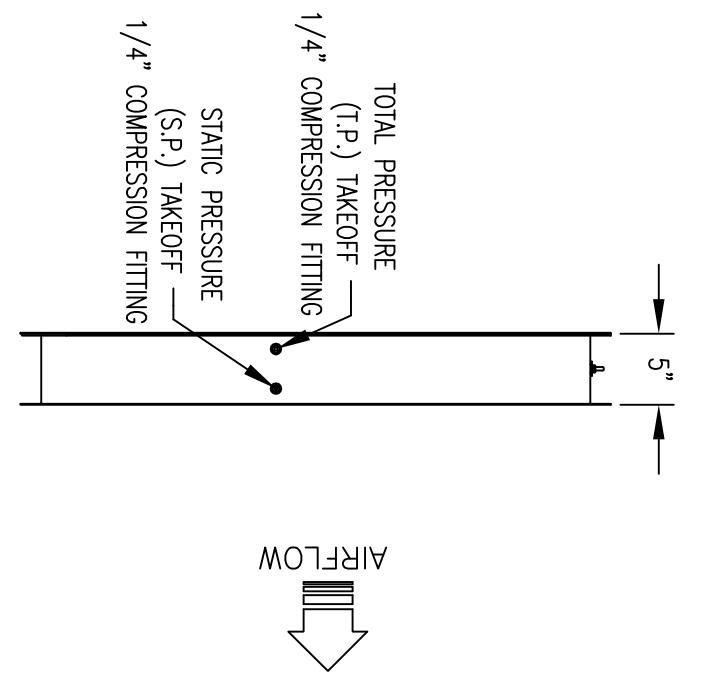


| STATION SIZE "D" | FLANGE THICKNESS | FLANGE SIZE "F" | CASING LENGTH "L" |
|------------------|------------------|-----------------|-------------------|
| 8"-15" | .064" | 1" | 6" |
| 16"-44" | .064" | 1-1/2" | 6" |
| 45"-72" | .188" | 1-1/2" | 10" |
| 73" & OVER | .188" | 2" | 12" |



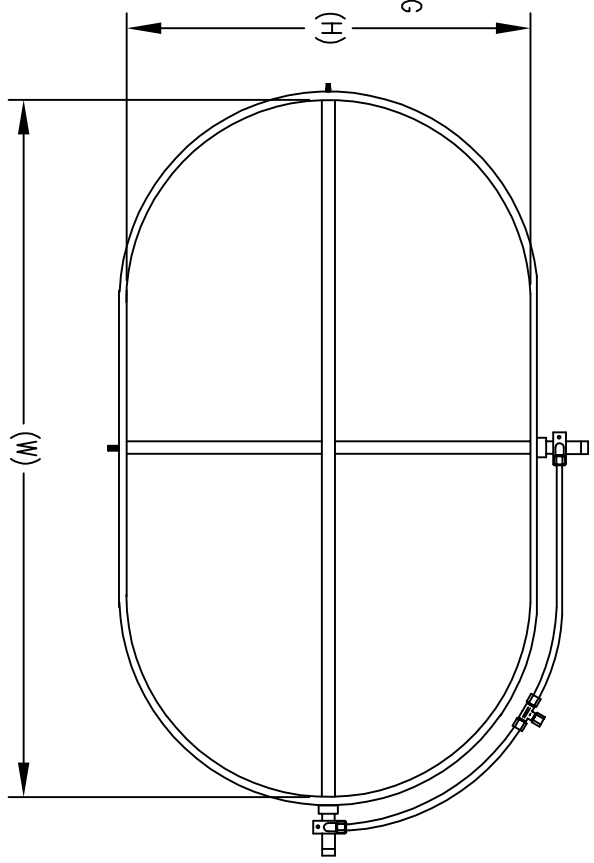
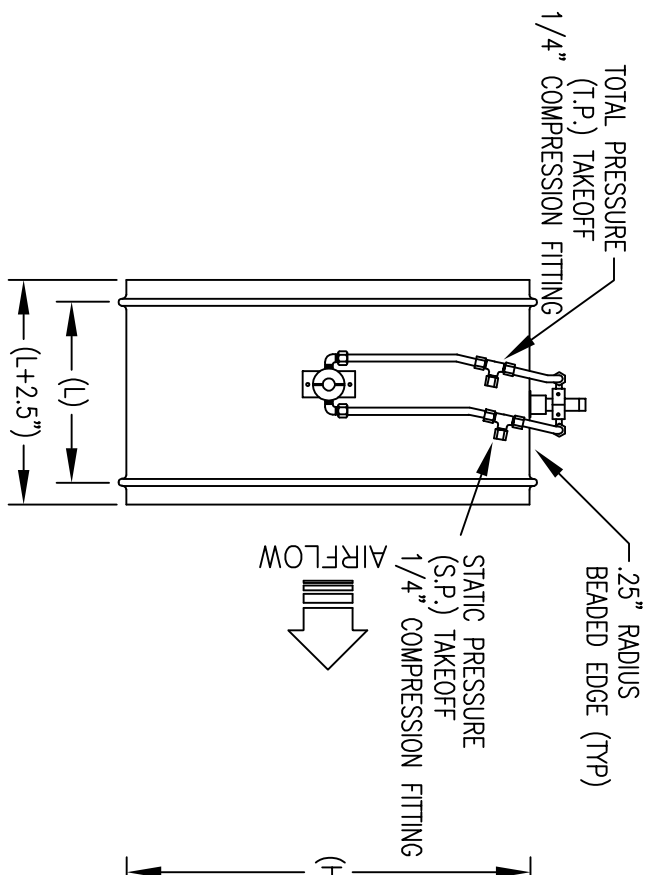
CIRCULAR STYLE

| STATION SIZE "H" OR "W" | FLANGE SIZE "F" |
|-------------------------|-----------------|
| 8"-72" | 1-1/2" |
| 73" & OVER | 2" |



RECTANGULAR STYLE

| STATION WIDTH "W" | FLANGE THICKNESS | FLANGE SIZE | CASING LENGTH "L" |
|-------------------|------------------|-------------|-------------------|
| UP TO 48" | .064" | 1-1/2" | 6" |
| OVER 48" | .188" | 1-1/2" | 8" |



OVAL STYLE

SCALE = NONE

Ⓞ = CRITICAL DIMENSION
 STANDARD TOLERANCES UNLESS NOTED:
 ALL DECIMAL DIMENSIONS ± .005
 ALL ANGLES ± 1°

FLST FLOW STATION INFORMATION

| | | | | | |
|-----|---------|---------|------|------------------------------|--------|
| NO. | CHANGES | DATE | NAME | MATERIAL | FINISH |
| | | BY/DATE | | | |
| | | DATE | NAME | MATERIAL | FINISH |
| | | BY/DATE | | | |
| | | DWN BY | | MATERIAL | FINISH |
| | | CHKD | | | |
| | | APPD | | MATERIAL | FINISH |
| | | | | | |
| | | | | MATERIAL | FINISH |
| | | | | | |
| | | | | ACAD2002 | |
| | | | | FR. NO. | |
| | | | | DWYER INSTRUMENTS, INC. | |
| | | | | MICHIGAN CITY, INDIANA 46360 | |
| | | | | U.S.A. | |

NOTICE: The drawings and the principles and elements of design embodied therein are the exclusive property of DWYER INSTRUMENTS, INC. and are made available for examination without the written consent of said corporation.