



SERIES UGI, UGJ & UGK | UTILITY GAGES

FEATURES/BENEFITS

- Dual scale provides reading in easily recognizable units
- Good accuracy gage for value-sensitive applications
- Compact size provides for mounting with dimensional limitations
- Higher accuracy gage for value-sensitive applications requiring more precise measurement
- Back or bottom mounting and compact size provides for mounting with dimensional limitations

APPLICATIONS

- Air regulators
- Pneumatic systems

DESCRIPTION

The **Series UGI & UGJ Utility Gages** possess dual psi and bar (x100 kPa) scales with $\pm 2.5\%$ accuracy. The **Series UGK Utility Gages** have dual psi and bar (x100 kPa) scales with $\pm 1.5\%$ accuracy. They are designed with black steel housings. Wetted parts include a brass socket and phosphor bronze tube. A wide offering of ranges are available from full vacuum to 300 psi. The center back mounting and compact size makes this gage the perfect choice for pneumatic air regulators.



UGI



UGJ



UGJ Back



UGK



UGK Back

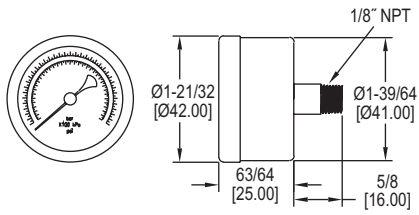
SPECIFICATIONS

Service	Compatible gases and liquids.
Wetted Materials	Brass connector, phosphor bronze tube.
Housing	Black painted steel.
Lens	Polycarbonate.
Accuracy	UGI & UGJ: $\pm 2.5\%$ FS; UGK: 1.5% FS.
Pressure Limit	FS range.
Temperature Limits	-4 to 140°F (-20 to 60°C).
Size	UGI: 1.5" (40 mm); UGJ: 2" (50 mm); UGK: 2.5" (63 mm).
Process Connection	UGI: 1/8" male NPT center back; UGJ: 1/8" NPT; UGK: 1/4" male NPT.
Weight	UGI: 2.1 oz (59 g); UGJ: 3.8 oz (108 g); UGL: 5.1 oz (145 g) bottom, 5.5 oz (155 g) black).

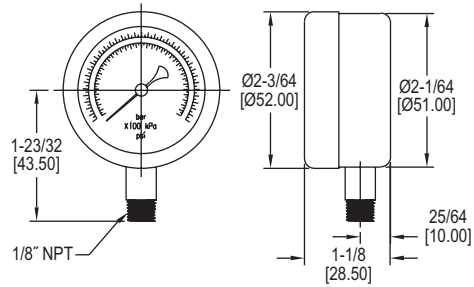




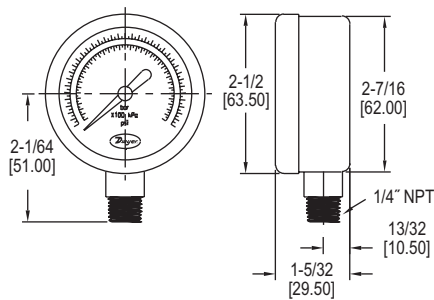
DIMENSIONS



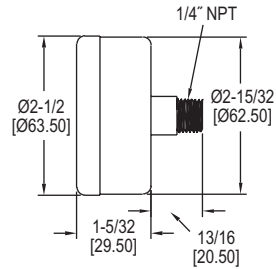
UGI



UGJ



UGK



HOW TO ORDER

Use the **bold** characters from the chart below to construct a product code.

	UGI	-B1	01	41N	
SERIES					CONNECTION
UGI: 1.5" utility gage					21N: 1/8" bottom connection, available only for Series UGJ
UGJ: 2" utility gage					41N: 1/8" NPT back connection, available only for Series UGI & UGJ
UGK: 2.5" utility gage					22N: 1/4" bottom connection, available only for Series UGK
MODEL					42N: 1/4" NPT back connection, available only for Series UGK
-B1: Series UGI					RANGE
-C1: Series UGJ					01 - 30 in Hg to 0
-D1: Series UGK					03 - 0 to 30 psi
					04 - 0 to 60 psi
					05 - 0 to 100 psi
					06 - 0 to 160 psi
					07 - 0 to 200 psi
					10 - 0 to 300 psi, not available for Series UGJ

Important Notice: Dwyer Instruments, Inc. reserves the right to make changes to or discontinue any product or service identified in this publication without notice. Dwyer advises its customers to obtain the latest version of the relevant information to verify, before placing any orders, that the information being relied upon is current.

