



SERIES SGP & SGO | 4" STAINLESS STEEL SCHAEFFER GAGES

FEATURES/BENEFITS

- Stainless steel housing and wetted parts resist ambient corrosion for longer service life in harsh environments
- Wetted parts permit use in chemical applications
- High accuracy gage for applications requiring more precise measurement
- Models that support vacuum to higher pressure ranges provide a selection to meet specific applications
- Specified with high ambient and process temperature ratings mean more robust uses and longer service-life

APPLICATIONS

- Chemical
- Refinery
- Fertilizer
- Petrochemical
- Power

DESCRIPTION

The **Series SGP & SGO 4" Stainless Steel Schaeffer Gages** have dual English/metric scales with $\pm 1.6\%$ full scale accuracy. The Series SGP gages are designed with 304 SS housings, a 316L SS chamber and a 316 SS diaphragm for excellent chemical compatibility. The SGO has a PTFE protected steel diaphragm. Units can withstand ambient temperatures up to 149°F (65°C) and process temperatures up to 248°F (120°C). Ranges are available from full vacuum, compound and pressures to 235 in w.c. are available. Micrometer adjustable pointer allows for re-zeroing gage in field.



SGO

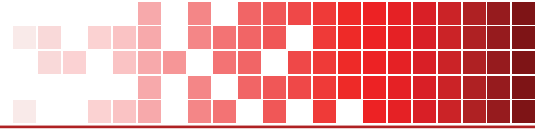


SGP

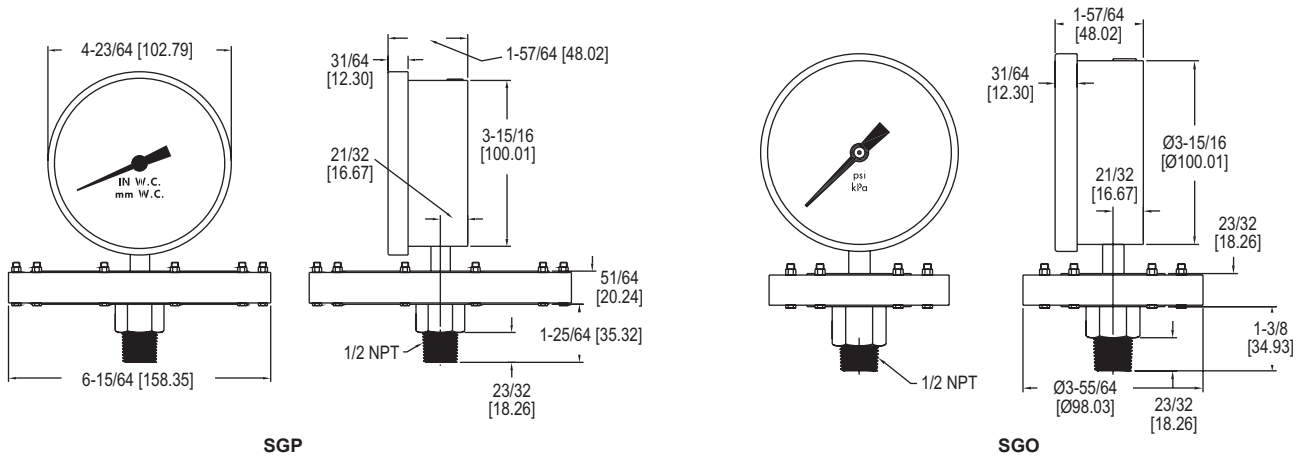
SPECIFICATIONS

Service	Compatible liquids and gases.
Wetted Materials	316L SS chamber with SGP: 316 SS diaphragm; SGO: PTFE diaphragm.
Housing	304 SS.
Lens	Glass.
Accuracy	$\pm 1.6\%$ FS.
Pressure Limit	130% FS.
Temperature Limit	Ambient: -13 to 149°F (-25 to 65°C); Process: 248°F (120°C).
Size	4" (100 mm).
Process Connection	1/2" male NPT.
Enclosure Rating	NEMA 3 (IP54).
Weight	3.1 lb (1.4 kg).





DIMENSIONS



HOW TO ORDER

Use the **bold** characters from the chart below to construct a product code.

<p>SERIES</p> <p>SGP: Stainless steel low pressure Schaeffer gage</p> <p>SGO: Stainless steel Schaeffer gage</p> <p>SWITCH TYPE</p> <p>SERIES SGP RANGES</p> <ul style="list-style-type: none"> -F7224N: -15 to 0 in w.c. (-400 to 0 mm) -F7824N: -160 to 0 in w.c. (-4000 to 0 mm) -F8024N: 0 to 10 in w.c. (0 to 250 mm) -F8124N: 0 to 15 in w.c. (0 to 400 mm) -F8224N: 0 to 25 in w.c. (0 to 600 mm) -F8324N: 0 to 40 in w.c. (0 to 1000 mm) -F8424N: 0 to 60 in w.c. (0 to 1600 mm) -F8524N: 0 to 80 in w.c. (0 to 2000 mm) -F8624N: 0 to 100 in w.c. (0 to 2500 mm) -F8724N: 0 to 160 in w.c. (0 to 4000 mm) 	<p>SGP - F8024N - NISTCAL-PG1</p>	<p>OPTIONS</p> <p>-NISTCAL-PG1: NIST traceable calibration certificate</p> <p>SERIES SGO RANGES</p> <ul style="list-style-type: none"> -F0124N: 30 in Hg to 0 (-100 to 0 kPa) -F0224N: 0 to 15 psi (0 to 100 kPa) -F0324N: 0 to 30 psi (0 to 200 kPa) -F0424N: 0 to 60 psi (0 to 400 kPa) -F0524N: 0 to 100 psi (0 to 700 kPa) -F0624N: 0 to 150 psi (0 to 1000 kPa) -F0724N: 0 to 200 psi (0 to 1400 kPa) -F0824N: 0 to 300 psi (0 to 2000 kPa) -F2324N: 30 in Hg to 0 to 60 psi (-100 to 0 to 400 kPa) -F2424N: 30 in Hg to 0 to 100 psi (-100 to 0 to 700 kPa) -F2624N: 30 in Hg to 0 to 200 psi (-100 to 0 to 1.4 MPa) -F2724N: 30 in Hg to 0 to 300 psi (-100 to 0 to 2 MPa)
---	--	--

ACCESSORIES

Model	Description
NISTCAL-PG1	NIST traceable calibration certificate for pressure gages over 1% accuracy. NOTE: EQUAL CERTS WILL BE CHARGED PER UNITS PURCHASED

Important Notice: Dwyer Instruments, Inc. reserves the right to make changes to or discontinue any product or service identified in this publication without notice. Dwyer advises its customers to obtain the latest version of the relevant information to verify, before placing any orders, that the information being relied upon is current.

