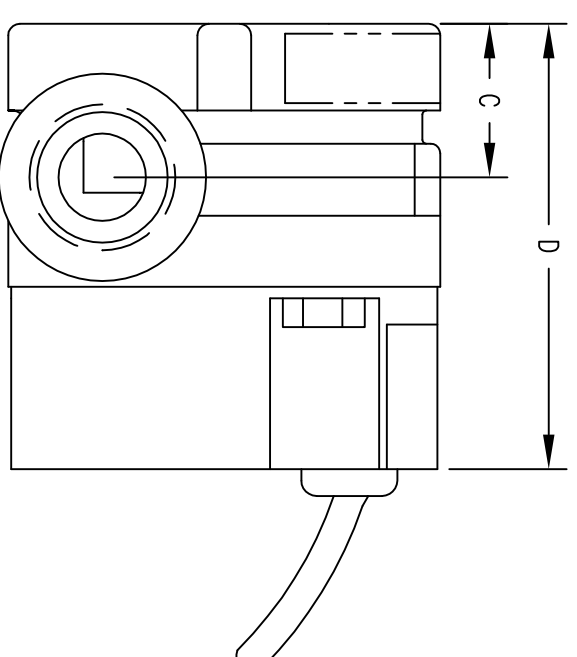
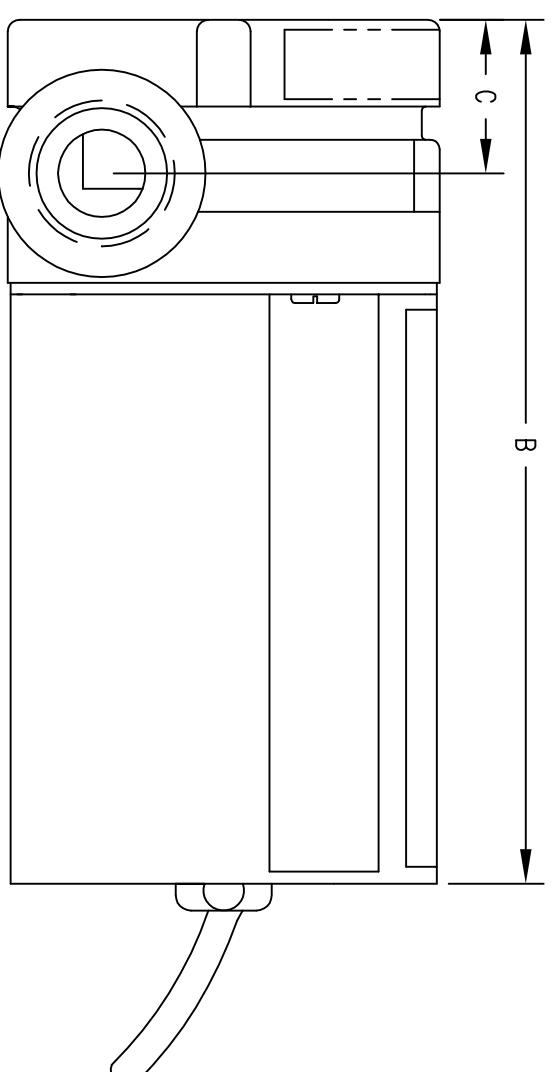
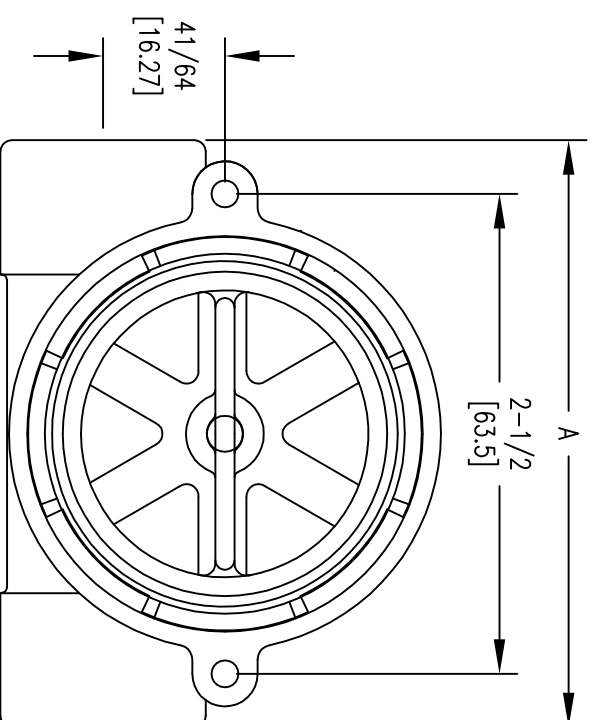


MODEL NO	DIM A	DIM B	DIM C	DIM D
SF2-104		—		2-21/64 [59.13]
SF2-101	3-1/64 [76.6]	4-1/2 [114.3]	7/8 [22.23]	—
SF2-114		—		2-21/64 [59.13]
SF2-111		4-1/2 [114.3]		—
SF2-124		—		2-61/64 [75]
SF2-121	3-61/64 [100.41]	4-49/64 [121.05]	1-1/16 [26.99]	—
SF2-134		—		2-61/64 [75]
SF2-131		4-49/64 [121.05]		—
SF2-204	3-1/64 [76.6]	—	13/16 [20.64]	2-21/64 [59.13]
SF2-214		—		
SF2-224	3-61/64 [100.41]	—	1-1/16 [26.99]	2-61/64 [75]
SF2-234		—		



SIDE VIEW VDC SWITCH AND TRANSMITTER MODELS



SIDE VIEW VAC SWITCH MODELS

SCALE 1:1

© = CRITICAL DIMENSION
STANDARD TOLERANCES UNLESS NOTED:
ALL DECIMAL DIMENSIONS ± .005
ALL ANGLES ± 1°

NO.		CHANGES		DATE		NAME		MATERIAL	FINISH
				DWN BY		SF2 SERIES		BRASS SIGHT FLOW INDICATOR / TRANSMITTER	FR. NO.
				CHKD					
				APPD				Dwyer Instruments, Inc. MICHIGAN CITY, INDIANA 46360 U.S.A.	
				BY/DATE					
ACAD2002									
3									

NOTICE: This drawing and the principles and elements of design embodied therein are the exclusive property of DWYER INSTRUMENTS, INC. and are not to be communicated, disclosed, reproduced or used except as previously authorized in writing by such corporation and must not be submitted to outside parties for examination without the written consent of said corporation.