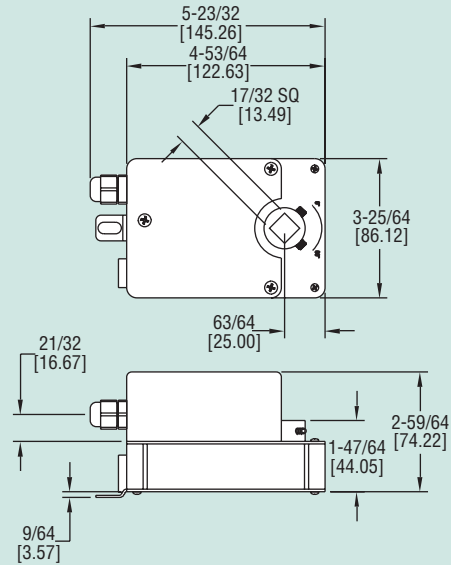




Series
DDA
&
DDC

Non-Spring Return Direct Coupled Actuators

Low Cost, Two-Position or Modulating



DDA and DDC Series Direct Coupled Actuators are non-spring return actuators that are perfect for positioning of dampers and valves in HVAC systems. DDA actuators are designed to accept floating control signals and come in a variety of power supplies. DDC actuators are designed to accept 4 to 20 mA or 0 to 10 VDC modulating control signals and are 24 VAC powered. DDC units feature a 0 to 10 VDC feedback signal of damper position. Actuators produce 17 to 70 in-lb (2 to 8 Nm) of torque. Contact factory for optional internal auxiliary switch on DDA.

FEATURES

- Direct mount
- Actuator travel indicator
- Overload protection
- Manual override
- Floating control signal on DDA
- Modulating 4 to 20 mA or 0 to 10 VDC control signal on DDC
- Position feedback signal on DDC
- 60,000 cycles nominal

Model	Size/ Torque	Supply Voltage	Input
DDA11	17 in-lb [2 Nm]	110 VAC	Floating
DDA13	17 in-lb [2 Nm]	24 VAC	Floating
DDA21	35 in-lb [4 Nm]	110 VAC	Floating
DDA23	35 in-lb [4 Nm]	24 VAC	Floating
DDA31	53 in-lb [6 Nm]	110 VAC	Floating
DDA33	53 in-lb [6 Nm]	24 VAC	Floating
DDA41	70 in-lb [8 Nm]	110 VAC	Floating
DDA43	70 in-lb [8 Nm]	24 VAC	Floating
DDC13	17 in-lb [2 Nm]	24 VAC	Modulating
DDC23	35 in-lb [4 Nm]	24 VAC	Modulating
DDC33	53 in-lb [6 Nm]	24 VAC	Modulating
DDC43	70 in-lb [8 Nm]	24 VAC	Modulating

SPECIFICATIONS

Power Requirements: DDA: 110 VAC, 24 VAC, $\pm 10\%$, 50/60 Hz, single phase. Optional 230 VAC; DDC: 24 VAC, $\pm 10\%$, 50/60 Hz, single phase.

Power Consumption: DDA: 110 VAC models: 5 VA, 230 VAC models: 5 VA, 24 VAC models: 3 VA; DDC: 4 VA.

Control Input: DDA: Two-position, floating; DDC: 4-20 mA or 0-10 VDC.

Overload Protection: Magnetic clutch.

Angle of Rotation: 95° (mechanically adjustable).

Fits Shaft Diameter: 0.4" (10 mm) or 0.5" (13 mm).

Position Indication: Visual indicator.

Direction of Rotation: CW/CCW.

Running Time: 17 in-lb, 35 in-lb, 53 in-lb: 72 sec.; 70 in-lb: 160 sec.

Electrical Connection: Terminal block, 18 AWG.

Manual Override: Push button.

Temperature Limit: -22 to 122°F (-30 to 50°C).

Sound: <45 dB.

Life Expectancy: 60000 full cycles.

Housing: NEMA 2 (IP40).

Standard Accessories: (2) imitative baffles, (2) baffle setscrews, (1) actuator body setscrew, and (1) aluminum gasket.

Weight: 1.72 lb (0.78 kg).

AIR QUALITY

Damper Actuators