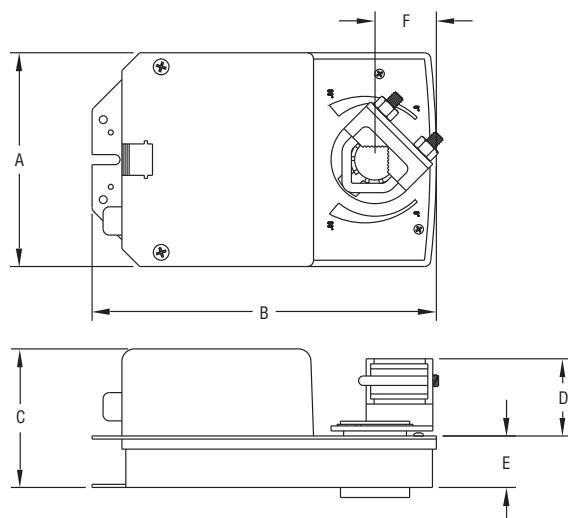




Series DDB 88, 132, 177 and 265 in-lb On/Off Damper Actuator

Specifications - Installation and Operating Instructions



Size	A	B	C	D	E	F
10 Nm & 15 Nm (88 in-lb) (132 in-lb)	4-17/64 (108.35)	6-55/64 (174.23)	2-49/64 (70.25)	1-35/32 (39.19)	1-1/32 (26.19)	1-15/64 (31.35)
20 Nm & 30 Nm (177 in-lb) (265 in-lb)	4-57/64 (124.22)	7-23/32 (196.06)	2-23/32 (69.06)			1-25/64 (35.32)

DDB Series Direct Coupled Actuators are non-spring return actuators that are perfect for positioning of dampers and valves in HVAC systems. Actuators are designed to accept floating control signals and come in a variety of power supplies. Actuators produce 88 to 265 in-lb (10 to 30 Nm) of torque. Contact factory for optional internal auxiliary switches.

Features

- Direct mount.
- Actuator travel indicator.
- Overload protection.
- Manual override.
- Floating control signal.
- 60,000 cycles nominal.

FUNCTION TESTING

Press the manual button on the back of the actuator. The gearing inside the actuator will break away. The damper can be operated manually while pressing the manual button. **DO NOT OPERATE WHEN POWER IS ON!**

SPECIFICATIONS

Power Requirements: 110 VAC, 24 VAC, $\pm 10\%$, 50/60 Hz, single phase. Optional 230 VAC.

Power Consumption: 5.5 VA.

Control Input: On/off or floating.

Overload Protection: Magnetic clutch.

Angle of Rotation: 95° (mechanically adjustable).

Fits Shaft Diameter: 0.4" - 0.75" (10-20 mm).

Position Indication: Visual indicator.

Direction of Rotation: CW/CCW.

Running Time: 88 in-lb: 66 sec., 132 in-lb: 90 sec., 177 in-lb: 110 sec.; 265 in-lb: 143 sec.

Electrical Connection: Terminal block, 18 AWG.

Manual Override: Push button.

Temperature Limit: -22 to 122°F (-30 to 50°C).

Sound: <45 dB.

Life Expectancy: 60000 full cycles.

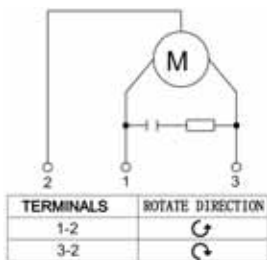
Housing: NEMA 2 (IP42).

Standard Accessories: (2) imitative baffles, (2) baffle setscrews, (1) setting bracket.

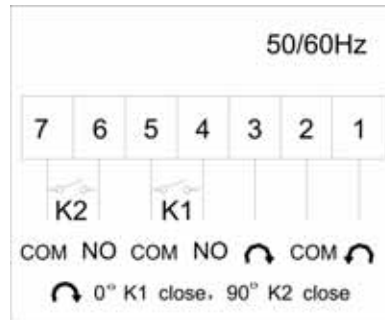
Weight: 2.87 lb (1.3 kg) 88, 132 in-lb models; 3.68 lb (1.67 kg) 177, 265 in-lb models.

WIRING DIAGRAM

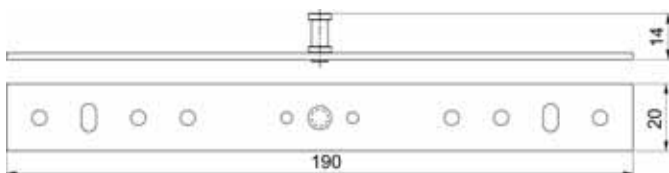
(Normal model)



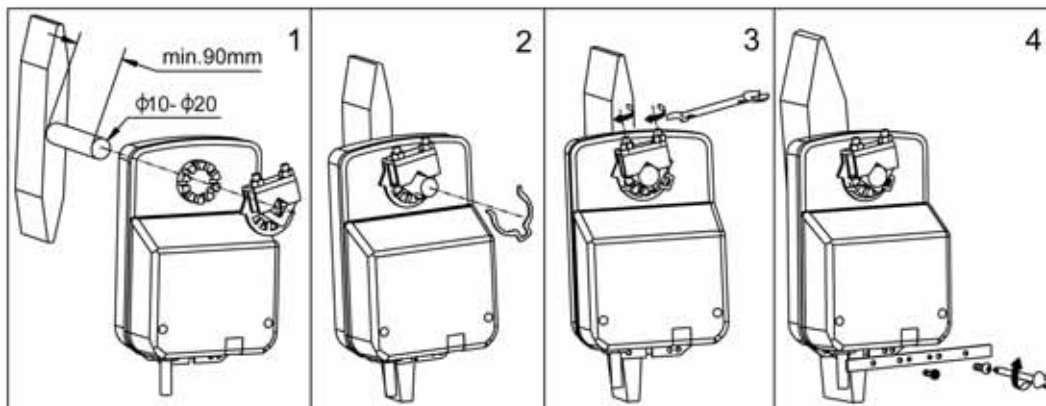
(Models with optional auxiliary switch)



Standard setting bracket (dimension in mm)



INSTALLATION DIAGRAM



MAINTENANCE

Upon final installation of the Series DDB Non-Spring Return Direct Coupled Actuator, no routine maintenance is required. A periodic check of the system calibration is recommended. The Series DDB is not field serviceable and should be returned if repair is needed (field repair should not be attempted and may void warranty). Be sure to include a brief description of the problem plus any relevant application notes. Contact customer service to receive a return good authorization number before shipping.