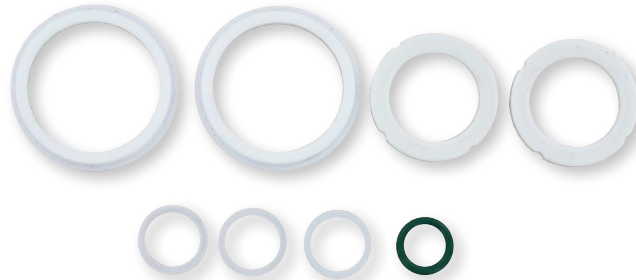




Series VRK Valve Repair Kit

Specifications - Installation and Operating Instructions



VRK-04

The **SERIES VRK** repair kit includes a complete set of O-rings and seals for the Series WE ball valves.

SPECIFICATIONS

Agency Approvals: Meets the technical requirements of EU Directive 2011/65/EU (RoHS II).

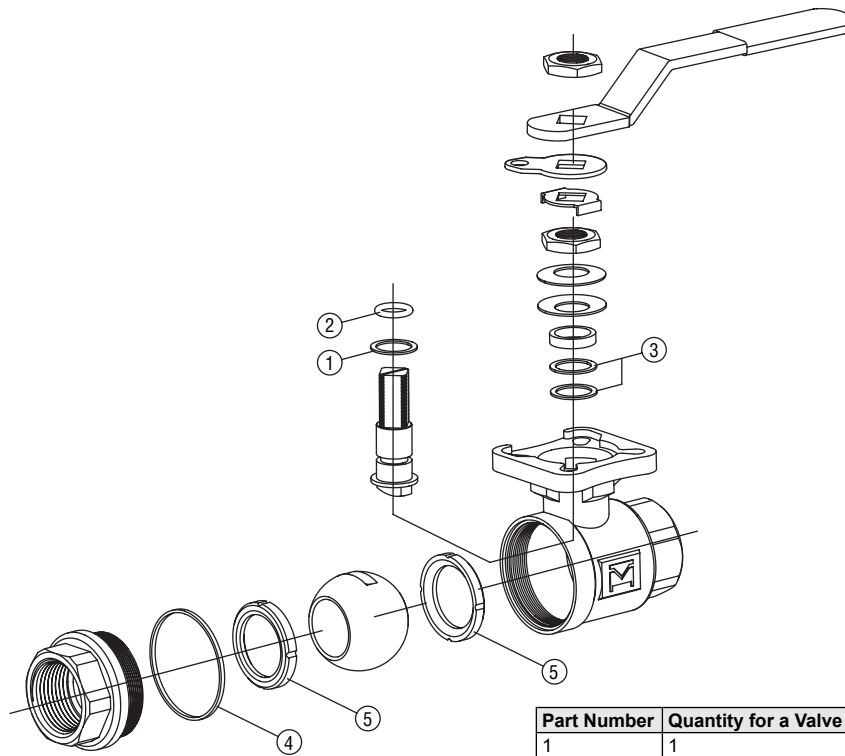
PARTS LIST - INCLUDED IN KIT

1 PTFE thrust washer	2 PTFE seals (not included for WE03)
1 FKM O-ring	2 PTFE seats (WE03 only)
2 PTFE stem packing	2 RFTE seats (not included for WE03)

MODEL CHART

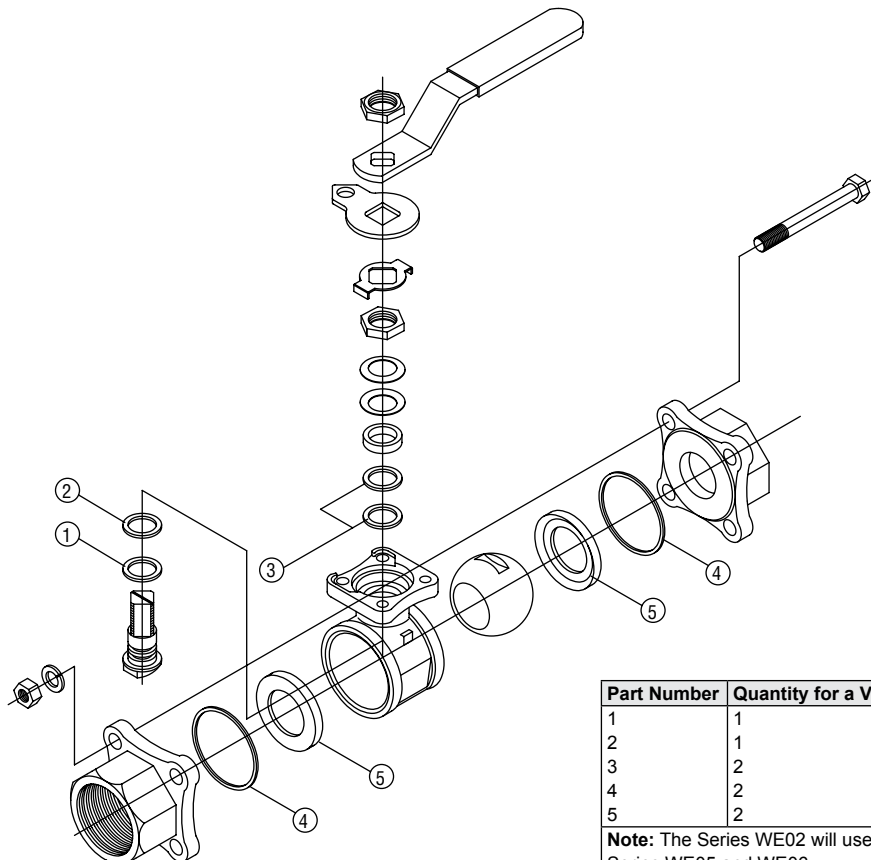
Model	Valve Series and Size	Model	Valve Series and Size	Model	Valve Series and Size
VRK-02	WE01 - 1/2"	VRK-16	WE02 - 2-1/2"	VRK-34	WE04 - 3"
VRK-03	WE01 - 3/4"		WE05 - 2-1/2"		WE07 - 3"
VRK-04	WE01 - 1"		WE06 - 2-1/2"	VRK-36	WE31 - 1/2"
VRK-05	WE01 - 1-1/4"	VRK-17	WE02 - 3"	VRK-37	WE31 - 3/4"
VRK-06	WE01 - 1-1/2"		WE05 - 3"	VRK-38	WE31 - 1"
VRK-07	WE01 - 2"		WE06 - 3"	VRK-39	WE31 - 1-1/4"
VRK-08	WE01 - 2-1/2"	VRK-19	WE03 - 1/2"	VRK-40	WE31 - 1-1/2"
VRK-09	WE01 - 3"	VRK-20	WE03 - 3/4"	VRK-41	WE31 - 2"
VRK-10	WE02 - 1/2"	VRK-21	WE03 - 1"	VRK-42	WE33 - 1/2"
	WE05 - 1/2"	VRK-22	WE03 - 1-1/2"	VRK-43	WE33 - 3/4"
	WE06 - 1/2"	VRK-23	WE03 - 2"	VRK-44	WE33 - 1"
VRK-11	WE02 - 3/4"	VRK-27	WE04 - 1/2"	VRK-45	WE33 - 1-1/2"
	WE05 - 3/4"		WE07 - 1/2"	VRK-46	WE33 - 2"
	WE06 - 3/4"	VRK-28	WE04 - 3/4"	VRK-50	WE34 - 1/2"
VRK-12	WE02 - 1"		WE07 - 3/4"	VRK-51	WE34 - 3/4"
	WE05 - 1"	VRK-29	WE04 - 1"	VRK-52	WE34 - 1"
	WE06 - 1"		WE07 - 1"	VRK-53	WE34 - 1-1/4"
VRK-13	WE02 - 1-1/4"	VRK-30	WE04 - 1-1/4"	VRK-54	WE34 - 1-1/2"
	WE05 - 1-1/4"		WE07 - 1-1/4"	VRK-55	WE34 - 2"
	WE06 - 1-1/4"	VRK-31	WE04 - 1-1/2"	VRK-56	WE34 - 2-1/2"
VRK-14	WE02 - 1-1/2"		WE07 - 1-1/2"	VRK-57	WE34 - 3"
	WE05 - 1-1/2"	VRK-32	WE04 - 2"		
	WE06 - 1-1/2"		WE07 - 2"		
VRK-15	WE02 - 2"	VRK-33	WE04 - 2-1/2"		
	WE05 - 2"		WE07 - 2-1/2"		
	WE06 - 2"				

Series WE01 Components and Materials for Valve Repair Kit (VRK-00-09)



Part Number	Quantity for a Valve	Part Name	Material
1	1	Thrust washer	PTFE
2	1	O-ring	FKM
3	2	Stem packing	PTFE
4	1	Body seal	PTFE
5	2	Ball seat	RTFE

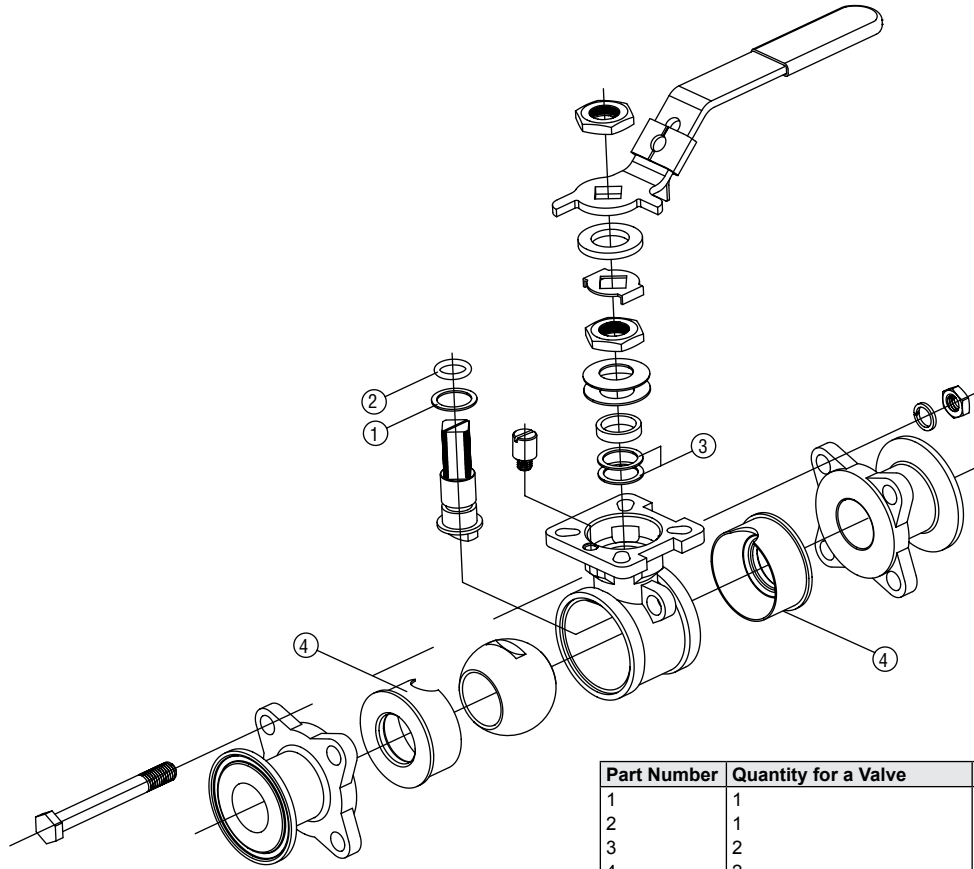
Series WE02 Components and Materials for Valve Repair Kit (VRK-10-18)



Part Number	Quantity for a Valve	Part Name	Material
1	1	Thrust washer	PTFE
2	1	O-ring	FKM
3	2	Stem packing	PTFE
4	2	Body seal	PTFE
5	2	Ball seat	RTFE

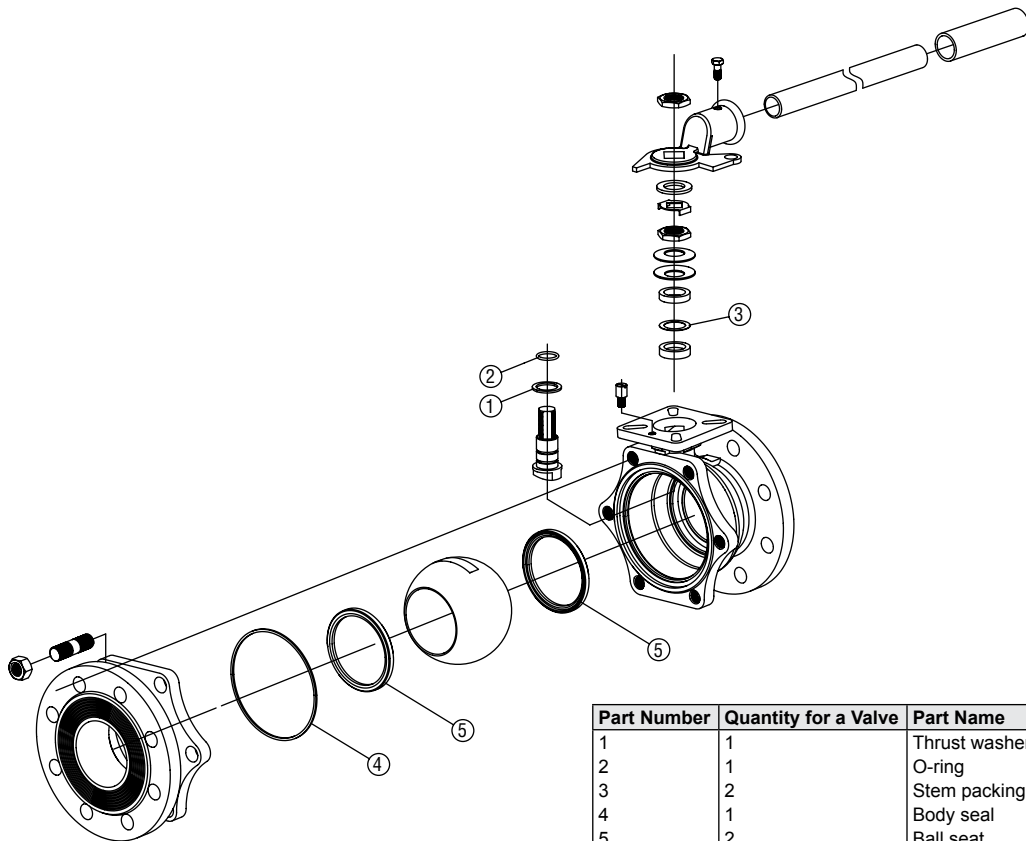
Note: The Series WE02 will use the same repair kit as the Series WE05 and WE06.

Series WE03 Components and Materials for Valve Repair Kit (VRK-19-26)



Part Number	Quantity for a Valve	Part Name	Material
1	1	Thrust washer	PTFE
2	1	O-ring	FKM
3	2	Stem packing	PTFE
4	2	Ball seat	PTFE

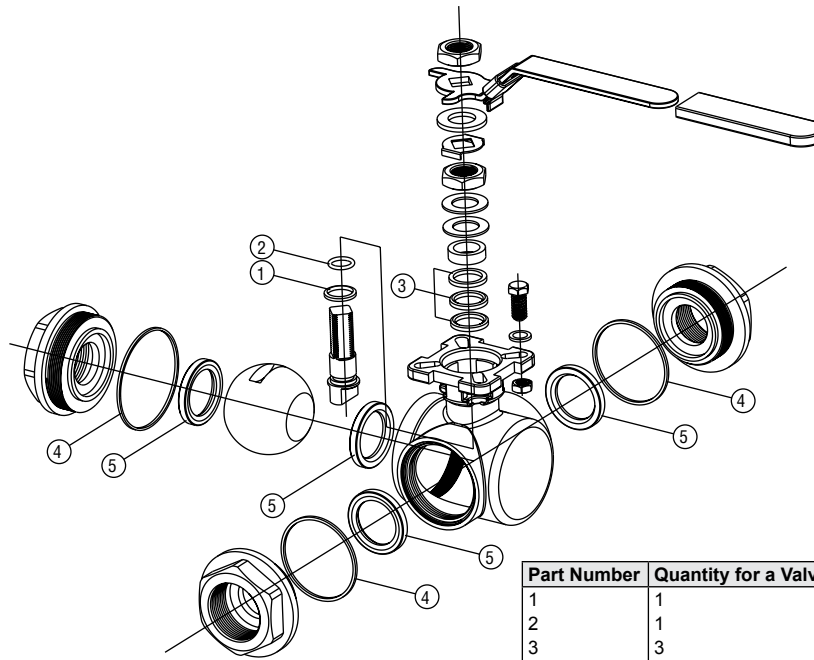
Series WE04 Components and Materials for Valve Repair Kit (VRK-27-35)



Part Number	Quantity for a Valve	Part Name	Material
1	1	Thrust washer	CTFE
2	1	O-ring	FKM
3	2	Stem packing	1 CTFE, 1 Graphite
4	1	Body seal	Graphite
5	2	Ball seat	RTFE

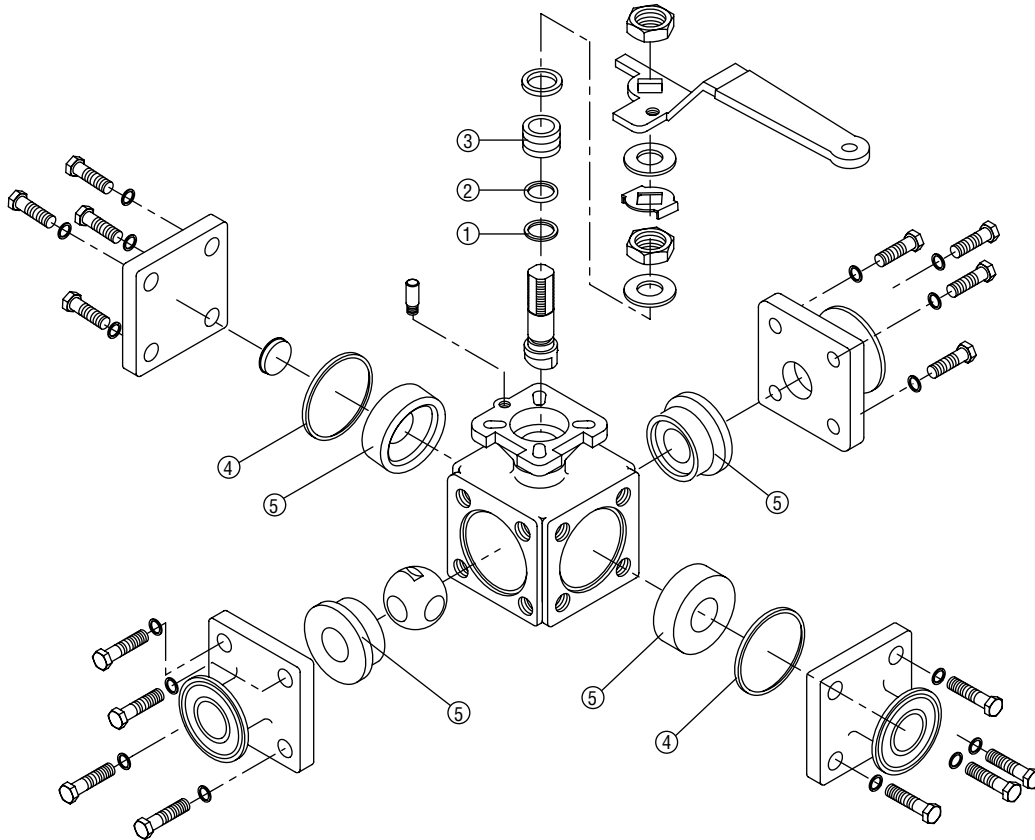
Note: The Series WE04 will use the same repair kit as the Series WE07.

Series WE31 Components and Materials for Valve Repair Kit (VRK-36-41)



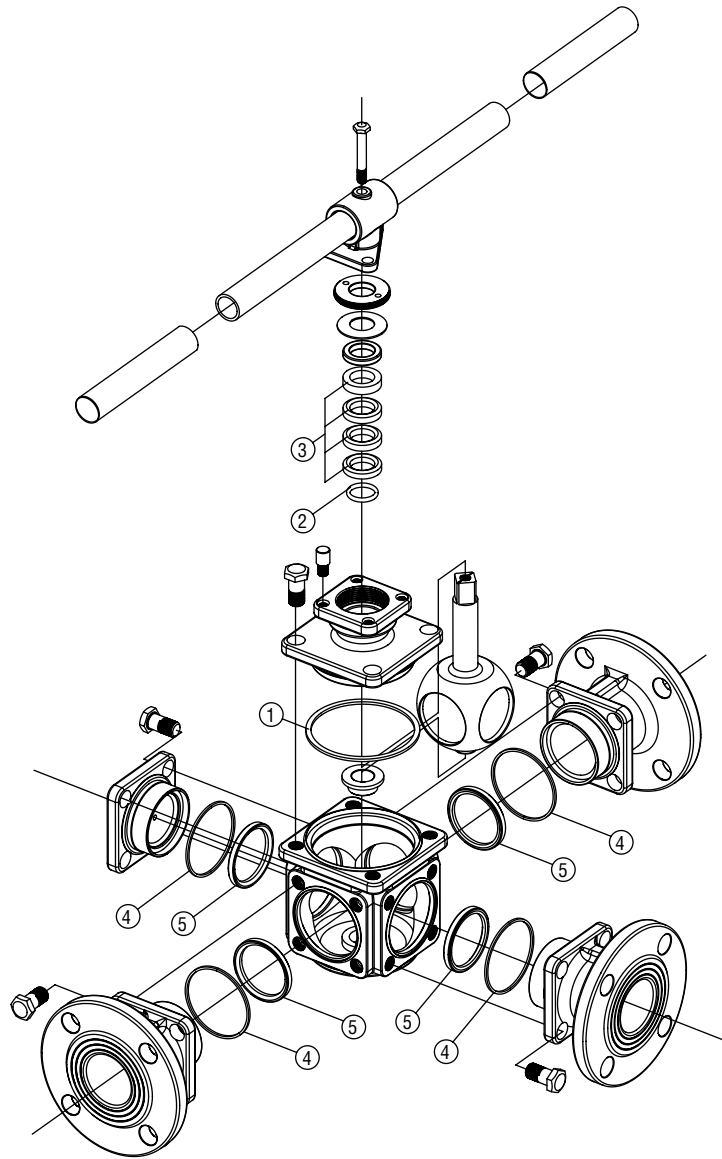
Part Number	Quantity for a Valve	Part Name	Material
1	1	Thrust washer	PTFE
2	1	O-ring	KFM
3	3	Stem packing	PTFE
4	3	Body seal	PTFE
5	4	Ball seat	PTFE

Series WE33 Components and Materials for Valve Repair Kit (VRK-42-49)



Part Number	Quantity for a Valve	Part Name	Material
1	1	Thrust washer	PTFE
2	1	O-ring	FKM
3	2 (1/2" to 3/4"); 3 (1" to 4")	Stem packing	PTFE
4	2	Body seal	PTFE
5	5	Ball seat	PTFE

Series WE34 Components and Materials for Valve Repair Kit (VRK-50-58)



Part Number	Quantity for a Valve	Part Name	Material
1	1 (1/2" to 1" only)	Thrust washer	PTFE
2	1	O-ring	FKM
3	3	Stem packing	PTFE
4	4 (1/2" to 1"); 5 (1-1/2" to 3")	Body seal	PTFE
5	4	Ball seat	RTFE

