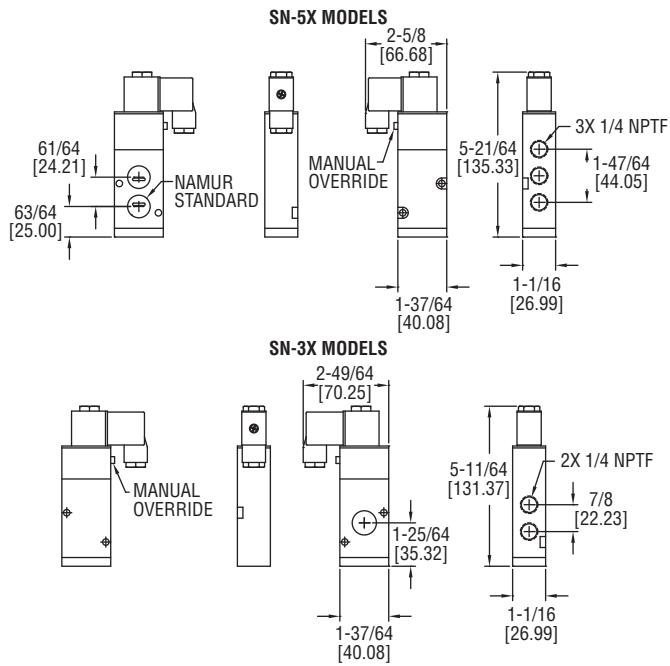




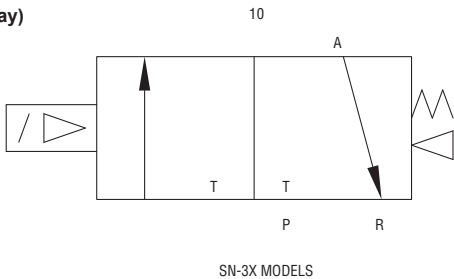
Series SN NAMUR Mount Solenoid Valve

Specifications - Installation and Operating Instructions



The Series SN Solenoid Valves are designed to easily mount directly to pneumatic valve actuators reducing the need for tubing, fittings or brackets, thereby reducing assembly cost. The SN solenoid comes with BUNA O-rings and offers a manual override as a standard feature. The 3/2 solenoids are designed for spring return actuators and 5/2 solenoids are designed to be used with double acting actuators. The SN series is available in a variety of voltage for any application.

Operation  
SN-3 (3/2 way)



SN-5 (5/2 way)

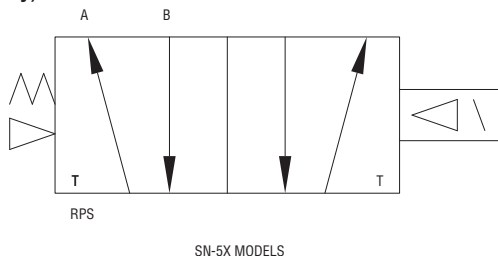


Figure 1

SPECIFICATIONS

- Power Requirements:** 24 VAC, 110 VAC, 220 VAC, 12 VDC, or 24 VDC.
- Supply Pressure:** 22 to 116 psi (1.5 to 7.9 bar).
- Air Connections:** 1/4" female NPT.
- Temperature Limits:** 23 to 140°F (-5 to 60°C).
- Electrical Connection:** DIN 43650 form A.
- Enclosure Rating:** IP65.
- Mounting:** NAMUR.
- Standard Features:** Manual override.
- Weight:** 1.0 lb (.45 kg).
- Agency Approvals:** CE.

Mounting Patterns

The solenoid valve comes with standard NAMUR mounting.

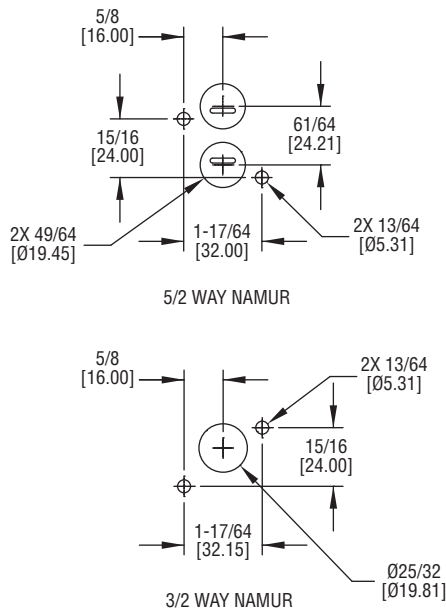


Figure 2

## INSTALLATION

**Note:** Make sure that port o-rings are correctly placed inside o-ring groove.

1. Affix solenoid valve to actuator and tighten screws.
2. Disconnect solenoid wire hood.

**Note:** Terminal designation (1) Positive (2) Neutral (3) Ground.

3. Energize solenoid valve several times and test for leaks and proper operation.

**Note:** Solenoid nut should be hand tight.

## MANUAL OVERRIDE

The Proximity solenoid valve comes equipped with a manual override. A small push button located between the valve body and the coil allows for the overriding of the solenoid if necessary. The normal position for the button head is in a raised position. Rotation of the button in the counter clockwise direction will manually override the solenoid and lock the solenoid in the disengaged position until the screw head is returned to its original position.

## Solenoid Classification

The Proximity solenoid valve is designed to IP65 standard.

**NEMA 4, 4X:** Watertight and dust tight - indoor and outdoor. Protects against windblown dust, rain, splashing water and hose directed water. Also corrosion resistant.

## WIRING

Wire in accordance with the National Electrical Code and local regulations.

To aid in the wiring, the solenoid on the SN may be rotated 360°. For unwired models it is recommended to use 18 AWG copper wire rated at 90°C or greater.

Wiring the SN with DIN connector. See Figure 3.

1. Remove center screw and pull wiring assembly from the body.
2. Remove gasket and place small screw driver in slot to pry out the terminal block from the cover.
3. Thread wire through the gland nut, gland gasket, washer and connector cover.
4. Connect wires to proper terminals on the terminal block.
5. Snap terminal block back into the cover. The connector cover may be rotated in 90° increments to position the cable entry as needed for the application. Reinstall the center screw and screw back into the solenoid body.

## MAINTENANCE/REPAIR

Upon final installation of the Series SN, no routine maintenance is required. The Series SN is not field serviceable and should be returned if repair is needed. Field repair should not be attempted and may void warranty.

## WARRANTY/RETURN

Refer to "Terms and Conditions of Sales" in our catalog and on our website. Contact customer service to receive a Return Goods Authorization number before shipping the product back for repair. Be sure to include a brief description of the problem plus any additional application notes.

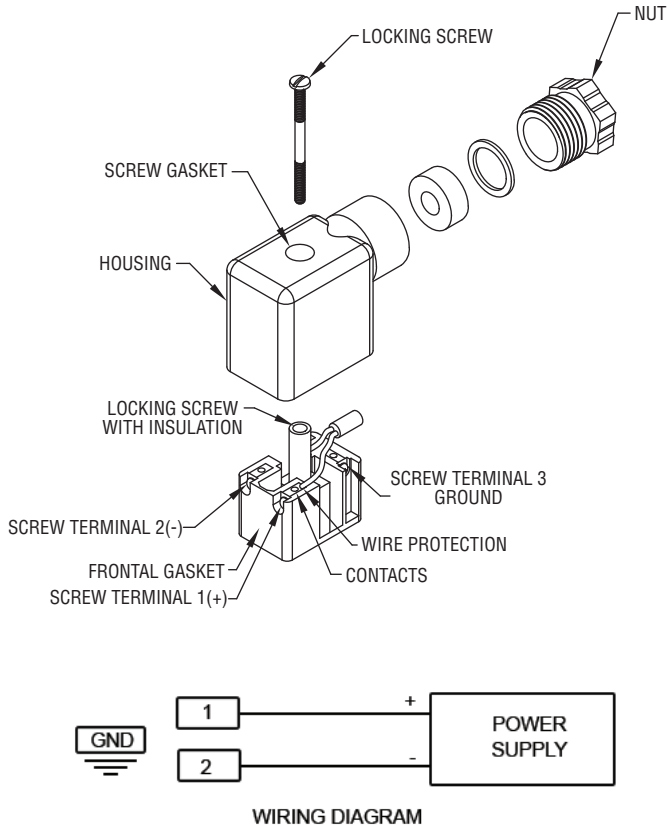


Figure 3