



MODEL MSCS | MINATURE CURRENT SWITCH

FEATURES/BENEFITS

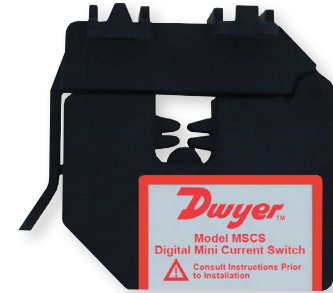
- Integral mounting flange for quick installation
- Compact size fits in any space

APPLICATIONS

- BAS
- HVAC
- Small industrial motors

DESCRIPTION

The **Model MSCS Miniature Current Switch** is a low cost solution for monitoring on and off status of light to medium current loads in compact spaces. This unit has a split core design and has a fixed set point of 0.15 amps. It is designed to detect changes in operating current to prevent motor belt loss, slippage, or mechanical failure.



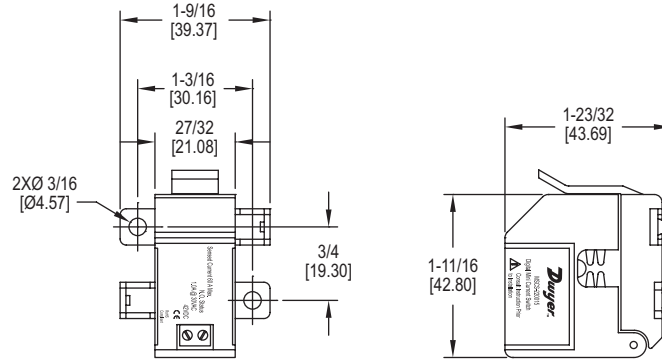
SPECIFICATIONS

Amperage Range	0.15 to 60 A.
Output	NO.
Power Requirements	None, self-powered.
Temperature Limits	5 to 140°F (-15 to 60°C).
Humidity Limits	0 to 95%, non-condensing.
Isolation Voltage	300 VAC RMS.
Frequency	50/60 Hz.
Enclosure Rating	UL 94 V-0 flammability rated, ABS plastic housing.
Agency Approvals	CE, cULus.





DIMENSIONS



HOW TO ORDER

Use the **bold** characters from the chart below to construct a product code.

MODEL _____	MSCS
MSCS: Miniature current switch	

Important Notice: Dwyer Instruments, Inc. reserves the right to make changes to or discontinue any product or service identified in this publication without notice. Dwyer advises its customers to obtain the latest version of the relevant information to verify, before placing any orders, that the information being relied upon is current.

