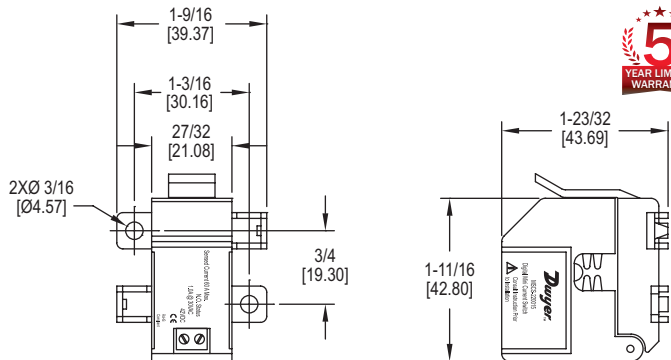


Dwyer**MODEL MSCS**

MINIATURE CURRENT SWITCHES

Split Core, Integral Mounting Tabs



The **Model MSCS Miniature Current Switches** are low cost solutions for monitoring on and off status of light to medium current loads in compact spaces. This unit has a split core design and has a fixed set point of 0.15 amps. It is designed to detect changes in operating current to prevent motor belt loss, slippage, or mechanical failure.

FEATURES/BENEFITS

- Integral mounting flange for quick installation
- Compact size fits in any space

APPLICATIONS

- BAS
- HVAC
- Small industrial motors

SPECIFICATIONS

Amperage Range: 0.15 to 60 A.

Output: NO.

Power Requirements: None, self-powered.

Temperature Limits: 5 to 140°F (-15 to 60°C).

Humidity Limits: 0 to 95%, non-condensing.

Isolation Voltage: 300 VAC RMS.

Frequency: 50/60 Hz.

Enclosure Rating: UL 94 V-0 flammability rated, ABS plastic housing.

Agency Approvals: CE, cULus.

MODEL CHART

Model	Motor Application
MSCS-220015	Miniature split core current switch