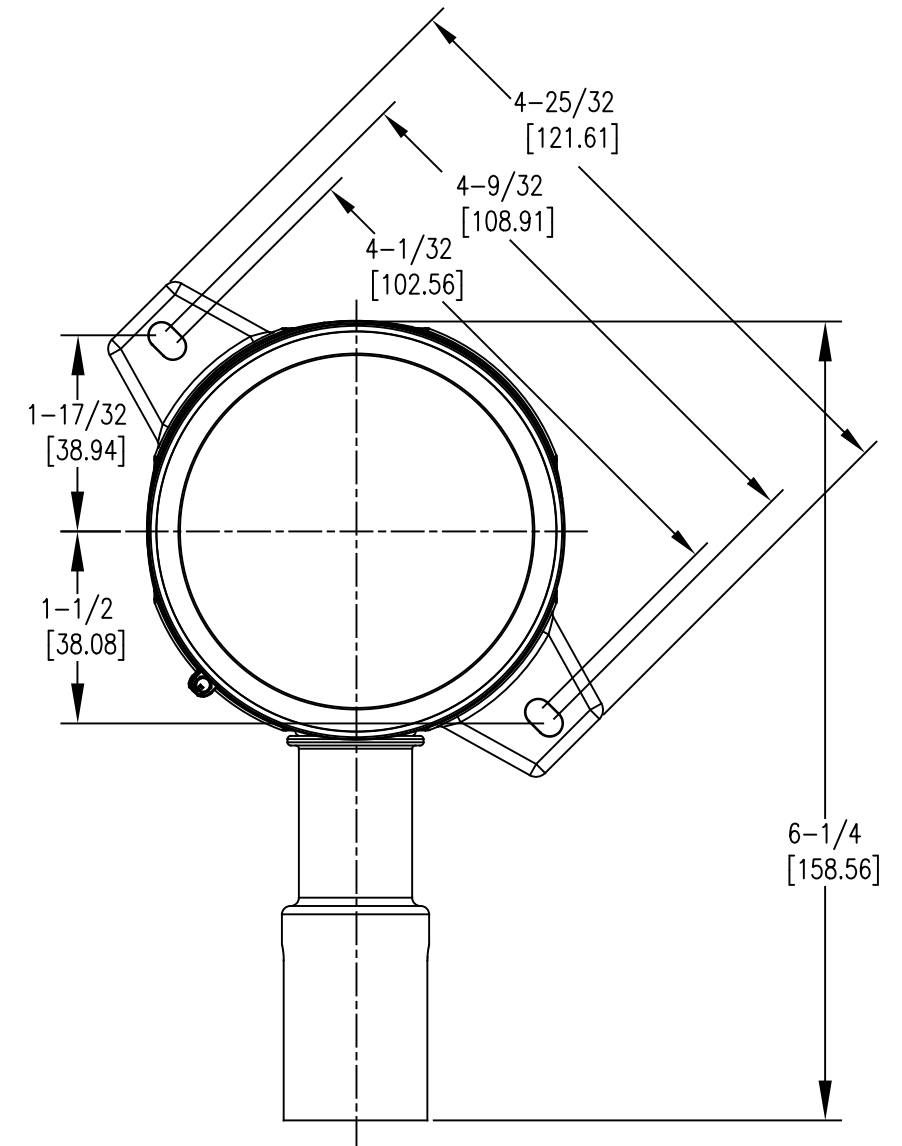
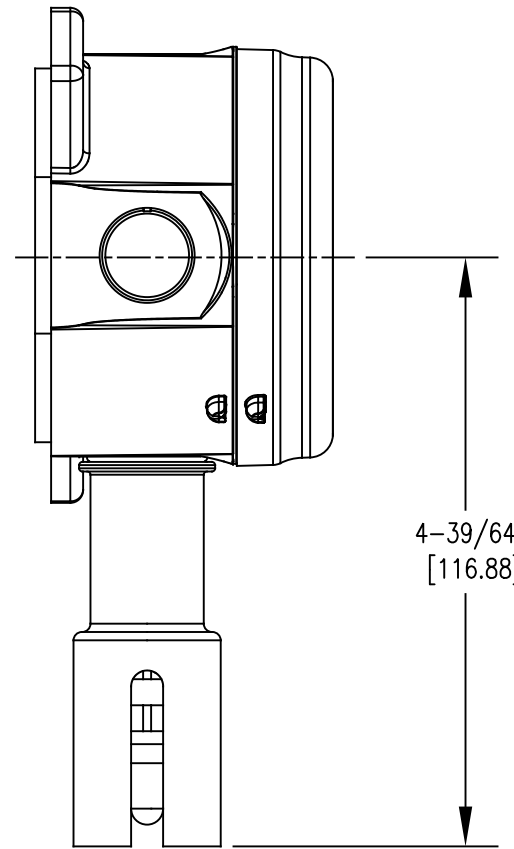
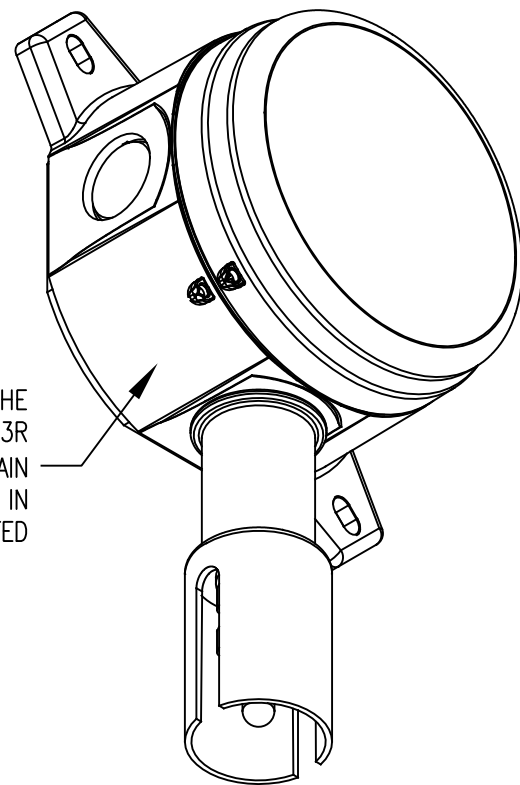


IN ORDER TO USE THE PRODUCT IN NEMA 3R CONDITIONS, A 1/8" DRAIN HOLE MUST BE DRILLED IN THE AREA INDICATED



Ⓢ = CRITICAL DIMENSION  
 STANDARD TOLERANCES UNLESS NOTED:  
 ALL DECIMAL DIMENSIONS ± .005  
 ALL ANGLES ± 1°

			DATE	NAME	MATERIAL
			DWN BY	ARTWORK TE-OSA TEMPERATURE SENSOR (FOR REFERENCE ONLY)	FINISH
			CHKD		<b>DWYER INSTRUMENTS, INC.</b> MICHIGAN CITY, INDIANA 46360 U.S.A.
			APPD		
NO.	CHANGES	BY/DATE			ACAD2002

NOTICE: This drawing and the principles and elements of design embodied therein are the exclusive property of DWYER INSTRUMENTS, INC. and are not to be communicated, disclosed, reproduced or used except as previously authorized in writing by such corporation and must not be submitted to outside parties for examination without the written consent of said corporation.