



SERIES IS/PX/TX | U.M. INSITE™ IN-LINE FLOWMETER



BENEFITS/FEATURES

- Fluid is always in sight
- Direct reading - English or metric
- Mount in any position
- Plumb with threaded pipe
- Pressure drop only 4 psi (0.27 bar) at full-scale flow
- Electric switches available

APPLICATIONS

- Process water
- Compressed air
- Nitrogen blanketing and purging
- Potable water
- Clarification (aluminum sulfate, ferric chloride)
- Disinfection (chlorinated water, potassium permanganate, chlorine dioxide)
- Dechlorination (sodium bisulfate, sulfur dioxide)
- Neutralization (sodium hydroxide)
- Deionized water
- Ultra pure water

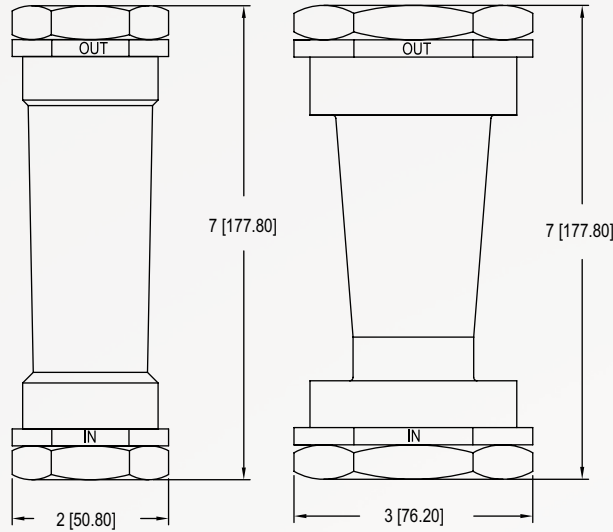
DESCRIPTION

The **Series IS/PX/TX Insite™ Air/Liquid In-Line Flowmeter** is available in a variety of materials including PVC, aluminum, brass, or 316 stainless steel. The variety of optional materials allows the flowmeters to be used in many different applications. The Series IS/PX/TX Insite™ flowmeters are also available with an optional field adjustable reed switch for high and low alarms.

SPECIFICATIONS

Service	Compatible gases or liquids.
Wetted Materials	Flowtube: PVC or Polysulfone; Fittings: Aluminum, brass, 316 SS, PVC, or PVDF; Seal: Viton® or Kalrez®.
Temperature Limits	PVC: 32 to 125°F (0 to 21°C); Polysulfone with 316 SS: 32 to 210°F (0 to 99°C); Polysulfone with PVDF: 32 to 120°F (0 to 49°C)
Pressure Limits	PVC: Liquid: 200 psig (13.79 bar) @ 70°F (21°C), Air: 60 psig (4.1 bar) @ 70°F (21°C); Polysulfone with 316 SS: Liquid: 200 psig (13.8 bar) @ 210°F (99°C), Air: 60 psig (4.1 bar) @ 210°F (99°C); Polysulfone with PVDF: 150 psig (10.35 bar) @ 120°F (49°C).
Switch Type	Optional 3-wire reed switch.
Electrical Rating	0.3 A @ 120 VAC/100 VDC.
Accuracy	±5% FS; 3 GPM: ±7% FS.
Process Connections	1/2", 3/4", 1", or 1-1/2" selectable.
Weight	0.8 to 2.6 lb (0.36 to 1.09 kg).
Compliance	CSA (switch only).

DIMENSIONS



HOW TO ORDER

Use the **bold** characters from the chart below to construct a product code.

	PX	-30GPM	-8	-F	-F	-ST	
SERIES						OPTIONS	
PX: PVC tube flowmeter (3 to 50 GPM)						-EP: Electro polished SS shaft and spring (IS only)	
IS: Polysulfone tube flowmeter (5 to 50 GPM)						-IS1: Installed with one switch kit	
TX: PVC tube flowmeter						-IS2: Installed with two switch kit	
						-IS1T: Installed with one switch kit (IS/TX)	
						-IS2T: Installed with two switch kit (IS/TX)	
						-ST: SS identification tag	
FLOW RANGE						SEAL MATERIAL	
-3GPM: 3 GPM water						-F: Viton®	
-5GPM: 5 GPM water						CONNECTION MATERIAL	
-10GPM: 10 GPM water						-D: Aluminum	
-15GPM: 15 GPM water						-F: Brass	
-20GPM: 20 GPM water						-I: 316 SS	
-30GPM: 30 GPM water						-M4: PVDF (IS series)	
-40GPM: 40 GPM water						-V: PVC (Series PX and TX only)	
-50GPM: 50 GPM water						PROCESS CONNECTION	
-20LPM: 20 LPM water						-4: 1/2" (low range only)	
-38LPM: 38 LPM water						-6: 3/4"	
-55LPM: 55 LPM water						-8: 1"	
-75LPM: 75 LPM water						-12: 1-1/2" (high range only)	
-110LPM: 110 LPM water							
-150LPM: 150 LPM water							
-200LPM: 200 LPM water							
-50SCFM: 50 SCFM air							
-100SCFM: 100 SCFM air							
-135SCFM: 135 SCFM air							
-200SCFM: 200 SCFM air							
-300SCFM: 300 SCFM air							
-400SCFM: 400 SCFM air							
-500SCFM: 500 SCFM air							
-1400SLPM: 1400 SLPM air							
-2500SLPM: 2500 SLPM air							
-3600SLPM: 3600 SLPM air							
-5500SLPM: 5500 SLPM air							
-8000SLPM: 8000 SLPM air							
-11000SLPM: 11000 SLPM air							
-14000SLPM: 14000 SLPM air							

Teflon® is a registered trademark of E.I. DuPont De Nemours and Company
 Viton® is a specific brand of Fluorocarbon (FKM) and is a registered trademark of The Chemours Company
 Kalrez® is a trademark of DuPont Polymers, Inc.

ORDER ONLINE TODAY!

dwyer-inst.com/Product/SeriesIS-PX-TX



DWYER INSTRUMENTS, LLC

©Copyright 2022 Dwyer Instruments, LLC
 Printed in U.S.A. 3/22

DS-IS/PX/TX

Important Notice: Dwyer Instruments, LLC reserves the right to make changes to or discontinue any product or service identified in this publication without notice. Dwyer advises its customers to obtain the latest version of the relevant information to verify, before placing any orders, that the information being relied upon is current.